

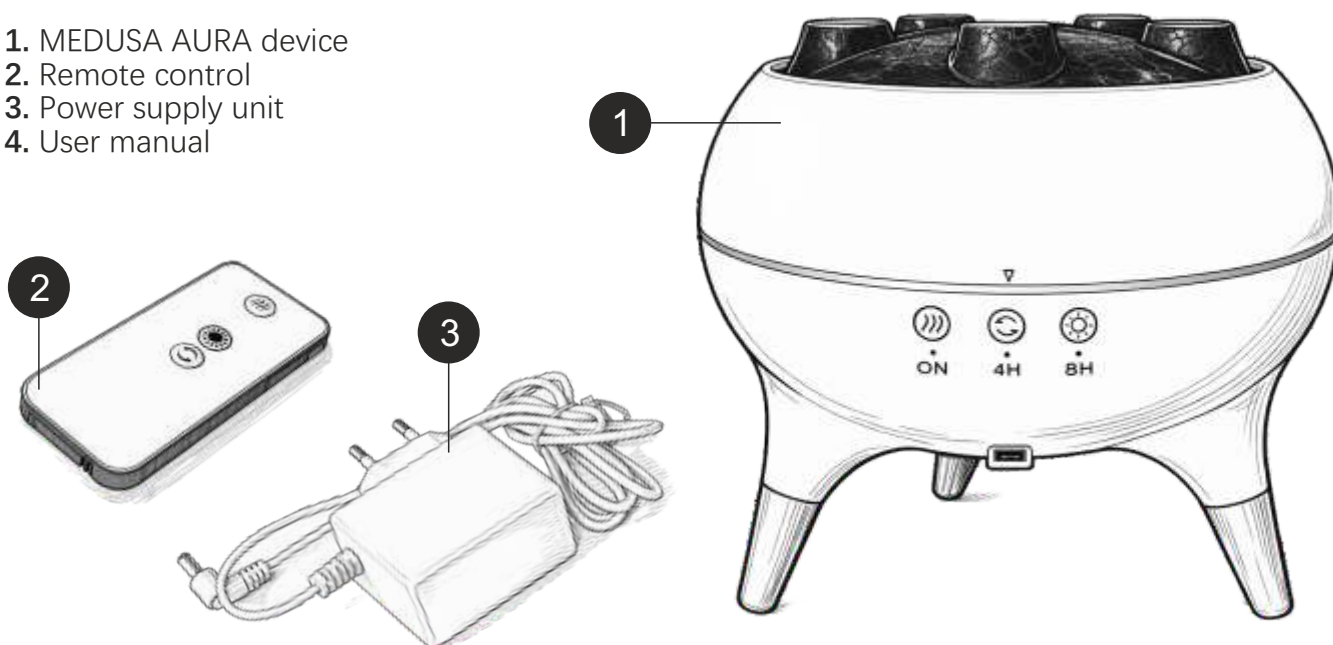
MEDUSA AURA

KINETIC HUMIDIFIERAROMA DIFFUSER

This device combines air humidification, aromatherapy, and the visual effect of steam rings, creating a spa-like atmosphere of rest and relaxation. It works on the principle of ultrasonic atomization: water is converted into fine mist, which is released in the form of dynamic "rings."

COMPLETE SET

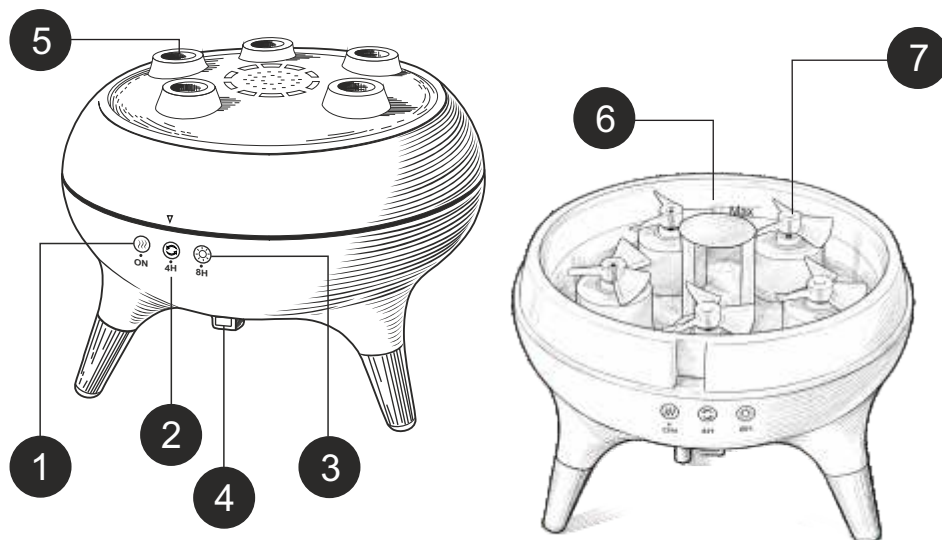
1. MEDUSA AURA device
2. Remote control
3. Power supply unit
4. User manual



TECHNICAL SPECIFICATIONS

Product name: Aroma diffuser
 Model: V80
 Power source: DC 24 V / 650 mA
 Product dimensions: 160 × 160 × 140 mm
 Body material: ABS +

Origin: China
 Net weight: 510 g
 Water tank capacity: 250 ml
 Spray output: 10–50 ml/h
 Compliance standards: GB 4706.1-2005
 GB 4706.48-2009



DEVICE DIAGRAM

1. Power button Spray/Timer
2. Mode Selection Button
3. Light button
4. Infrared port
5. Spray nozzle
6. Water tank
7. Fan blades

DEVICE FUNCTIONS

1. POWER BUTTON SPRAY / TIMER

- Short press (1 time): Turn on the device, golden backlight, cyclic spray mode, timer off.
- Short press (2 times): Gold backlight, continuous spray mode.
- Short press (3 times): Turns off the device.
- Press and hold (1 time when the device is on): Sets the timer to 4 hours (4H indicator lights up).
- Press and hold (2 times): Set the timer to 8 hours (8H indicator lights up).
- Press and hold (3 times): Cancel the timer (ON indicator lights up).

2. MODE SWITCH BUTTON.

! The button is only active when the device is turned on.

- Short press (once): Activates fixed cyclic spray mode.
- Short press (twice): Activates voice control mode — spray intensity changes depending on the volume of the sound.

3. LIGHT BUTTON

- Short press: Switches the lighting modes in the following sequence: Warm golden light → Multicolor “breathing” mode → Fixed color → Multicolor gradient mode → Light off.

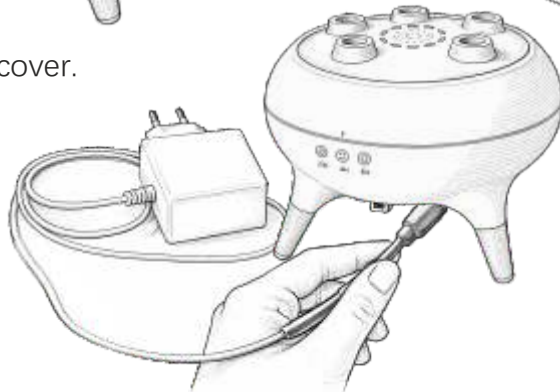
PREPARATION FOR USE

1. Remove the top cover of the device.

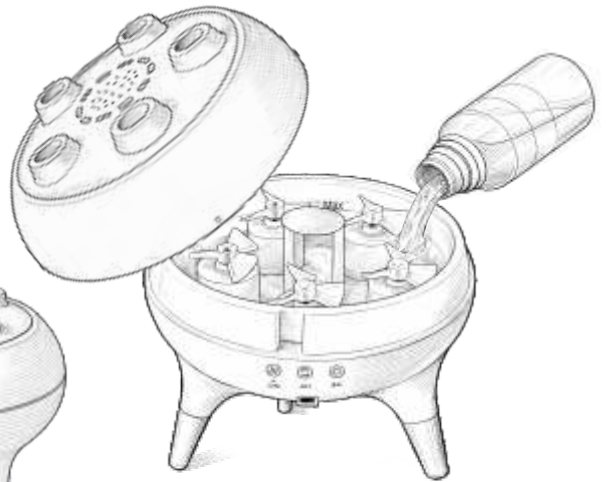


3. Replace the top cover.

4. Connect the power supply to the device.



2. Pour clean distilled water into the reservoir, not exceeding the MAX mark. If desired, you can add a few drops of essential oil to the water.



5. The aroma diffuser is ready for use.
To start, press the power button.

DEVICE MAINTENANCE

1. When cleaning the device, do not rinse it under running water to avoid short circuits.
2. It is recommended to wipe the device with a soft cotton cloth.

SUPPLIER

SAUFLEX OÜ
info@sauflex.com
www.sauflex.com

SAFETY PRECAUTIONS

1. Add water before using this product. Do not use the humidification function without water.
2. Children aged 0–6 are not permitted to use the device without adult supervision.
3. Do not turn the device upside down if there is water in the water tank.