

Harvia PRO C



Sauna control unit

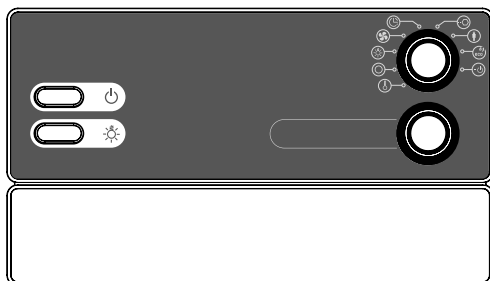
Instructions for installation and use

Let's sauna.

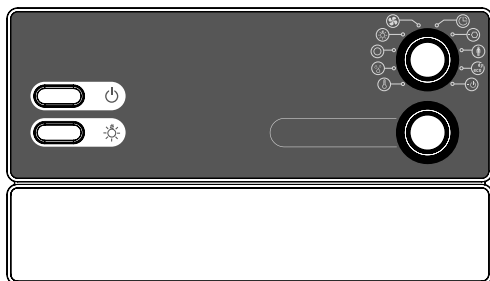
Itm.nr.

PRO-C2 1-015-448

PRO-C3 1-015-451



PRO-C2



PRO-C3



- EN
- DE
- FR
- NL
- FI
- SV
- IT

Table of Contents

1. About this instruction manual	5
2. Important information for your safety	6
2.1. Intended use	6
2.2. Safety information for the installer	7
2.3. Safety information for the user	8
3. Product description	9
3.1. Scope of delivery	9
3.2. Optional accessories	9
3.3. Product features	9
3.4. Sauna operating modes	11
3.5. Sensor operating modes	11
4. Installation	13
4.1. Installing the sauna control unit	13
4.2. Installing the heater sensor F1 with overheat cut-out	15
4.3. Installing bench sensor F2 (optional)	16
4.4. Installing humidity/temperature sensor FTS2 (optional, PRO C3 only)	16
4.5. Installing the foil sensor (optional)	16
5. Electrical connection	17
5.1. Connecting the power supply cable, heater and vaporizer	18
5.2. Connecting the light	18
5.3. Connecting the fan (optional)	18
5.4. Connecting the additional output (optional)	19
5.5. Connecting the power booster (optional)	19
5.6. Connecting the heater sensor F1	19
5.7. Installing bench sensor F2 (optional)	20
5.8. Connecting the humidity/temperature sensor FTS2 (optional, PRO C3 only)	20

5.9.	Connecting the foil sensor (optional).....	20
5.10.	Connecting the safety shut-off/door sensor.....	21
5.11.	Remote start.....	21
5.12.	Status output.....	21
5.13.	Finishing the installation.....	21
6.	Testing	22
7.	Connection diagram	23
8.	Commissioning	24
8.1.	Setting the function selection switch.....	24
8.2.	Settings in the technician menu.....	26
9.	Controls	31
9.1.	Description of the operating elements.....	31
9.2.	The function selector.....	31
9.3.	The intensity selector.....	32
10.	Operation	32
10.1.	Switching on the light.....	32
10.2.	Switching on the sauna control unit.....	32
10.3.	Starting sauna mode.....	33
10.4.	Starting Combi mode (PRO C3 only).....	33
10.5.	Starting additional output.....	34
10.6.	Switching on the light.....	36
10.7.	Starting the fan.....	37
10.8.	Setting the preset time.....	37
10.9.	Cancelling the preset time feature.....	38
10.10.	Setting the duration.....	38
10.11.	Activating standby for remote operation.....	39

10.12. Changing the preset values.....	40
10.13. Stopping the post-drying programme.....	40
10.14. Switching off the sauna control unit.....	40

11. User programs..... **41**

11.1. Preset user programs.....	41
11.2. Creating your own user programs.....	41

12. The Eco-function..... **42**

13. Cleaning and maintenance..... **43**

13.1. Cleaning.....	43
13.2. Maintenance.....	43

EN

14. Disposal..... **43**

15. Troubleshooting..... **44**

15.1. Error messages.....	44
15.2. Low-water display (PRO C3 only).....	45
15.3. Fuses.....	45

16. Technical data..... **46**

1. About this instruction manual

Read these installation and operating instructions carefully and keep them within reach of the sauna control unit. This ensures that you can refer to information on safety and operation at any time.



These installation and operating instructions can also be found in the downloads section of our website: www.mediabank.harvia.com

Symbols used for warning notices

In these instructions for installation and use, a warning notice located next to an activity indicates that this activity poses a risk. Always observe the warning notices. This prevents damage to property and injuries, which in the worst case may be fatal.

The warning notices contain keywords, which have the following meanings:



DANGER!

Serious or fatal injury will occur if this warning notice is not observed.



WARNING!

Serious or fatal injury can occur if this warning notice is not observed.



CAUTION!

Minor injuries can occur if this warning notice is not observed.

ATTENTION!

This keyword is a warning that damage to property can occur.

Other symbols



This symbol indicates tips and useful information.

2. Important information for your safety

The PRO C2 / PRO C3 sauna control unit has been manufactured in accordance with the applicable safety regulations. However, hazards may arise during use. Therefore adhere to the following safety information and the specific warning notices in the individual chapters. Also observe the safety information for the devices connected.

2.1. Intended use

The PRO C2 / PRO C3 sauna control unit is used exclusively for operating and controlling the sauna functions in accordance with the technical data.

EN

The PRO C2 / PRO C3 sauna control unit may only be used for operating and controlling a sauna heater which has been certified as satisfying the combustion test described in paragraph 19.101 of EN 60335-2-53. If the heater does not meet this requirement, an appropriate safety precaution must be taken (for example: Safety shut-off/door-open sensor, see **5.10** on page **21**).

The PRO C2 / PRO C3 sauna control unit may only be used for operating and controlling 3 heating circuits with a maximum heating output of 3.5 kW per heating circuit. The maximum additional output totals 3.5 kW. The maximum vaporizer output (PRO C3 only) is 3.5 kW.

Any use exceeding this scope is considered improper use. Improper use can result in damage to the product, severe injuries or death.

2.2. Safety information for the installer

- Installation may only be performed by a qualified electrician or similarly qualified person.
- Work on the sauna control unit may only be performed when the power has been disconnected.
- A fully disconnecting all-pole isolating device compliant with overvoltage category III must be fitted on site.
- The sauna control unit must be installed outside the sauna cabin at a height of approx. 1.70 m or in accordance with the recommendation issued by the sauna manufacturer. The ambient temperature must be within a range spanning -10 °C to +40 °C.
- The heater sensor must be installed in such a way that it is not affected by inflowing air.
- The heater supply cable must have a minimum cross-sectional area of 2.5 mm² and be temperature-resistant up to 150 °C.
- Also comply with the regulations applicable at the installation location.
- For your own safety, consult your supplier in the event of problems that are not explained in sufficient detail in the installation instructions.

2.3. Safety information for the user

- The sauna control unit must not be used by children under 8 years of age.
- The sauna control unit may be used by children over 8 years of age, by persons with limited psychological, sensory or mental capabilities or by persons with lack of experience/knowledge, but only if:
 - They are supervised.
 - They have been shown how to use the device safely and are aware of the hazards that could occur.
- Children must not play with the sauna control unit.
- Children under 14 years of age may only clean the sauna control unit if they are supervised.
- For health reasons, do not use the sauna when under the influence of alcohol, medication or drugs.
- Make sure that no flammable objects have been placed on the sauna heater before the sauna control unit is switched on.
- Make sure that no flammable objects have been placed on the sauna heater before activating the preset time function or the standby mode for remote start.
- Make sure that no flammable objects have been placed on or in front of the infrared heater before the sauna control unit is switched on.
- Make sure that no flammable objects have been placed on or in front of the infrared heater before activating the preset time function or the stand-by mode for the remote start.
- For your own safety, consult your supplier in the event of problems that are not described in sufficient detail in the operating instructions.

3. Product description

3.1. Scope of delivery

- Sauna control unit
- Heater sensor with integrated overheat cut-out
- Installation material

3.2. Optional accessories

- Bench sensor (1-009-231 / O-F2)
- Humidity/temperature sensor (1-010-081 / O-FTS2)
- Foil sensor (1-014-445 / P-ISX-FF)
- Power booster (1-008-779 / O-S2-18, 1-009-280 / O-S2-30)
- Cut-off rocker switch (SFE-xxxxx)
- Home door sensor (1-052-723 / SAB00103)
- MySentio Wifi (1-053-313 / S-WIFI01)
- MySentio Remote (1-053-314 / S-WIFI02)

EN

3.3. Product features

The sauna control unit Pro C2 features the following functions:

- Regulation of sauna heaters with a heating output of up to 10.5 kW in the temperature range spanning 30 °C to 110 °C.
- A power booster allows the maximum switching capacity to be increased from 10.5 kW to 18 kW or 30 kW.
- Optional dimming or switching of a cabin light (up to 100 W)
- Optional modulation or switching of a fan (up to 100 W)
- Remote start function
- Door monitoring system
- Status output
- Preset time function (up to 24 hours)
- Automatic heating time limit

The sauna control unit shuts down automatically after the maximum heating time for safety reasons. The maximum heating period can be set to 6 h, 12 h, 18 h or 24 h.

- **Auxiliary output**
Either for dimming (up to 500 W), switching (up to 3.5 kW) or regulating the sauna cabin temperature via the additional output.

The additional output has no overheat cut-out. For this reason, only intrinsically safe devices should be operated using the additional output.

- If infrared heaters are connected to the additional output, they must have an overheat cut-out. We recommend using the following infrared heaters:
 - DIR-350-R, WIR-350-R, DIR-500-R, WIR-500-R, DIR-750-R, WIR-750-R, DIR-1300-R, WIR-1300-R
 - ECO-350-R, ECO-350-G, ECO-500-R, ECO-500-G, ECO-750-R
- If one of the following infrared heat plates is connected to an additional output, the foil sensor P-ISX-FF must be used, and must be activated in the technician menu (see **8.2. Settings in the technician menu** on page **26**):
 - IR-WP-100, IR-WP-175, IR-WP-390, IR-WP-510
 - IR-WPHL-100, IR-WPHL-175, IR-WPHL-390, IR-WPHL-510

- **User programs**
The user programs enable favourite sauna settings to be saved and accessed again. There are 5 preset user programs available which can be modified according to user requirements.
- **Post-drying program**
After operation in combined mode, the post-drying program starts automatically to prevent mould or rot from forming in the sauna cabin. This involves heating the sauna cabin to 80 °C with the fan running for 30 minutes.
- **Overheat cut-out**
The overheat cut-out is installed in the housing for the heater sensor. If a defect causes the sauna heater to continue heating after reaching the preferred temperature, the overheat cut-out switches the sauna heater off at a temperature of around 139 °C.

PRO C3

Same functional scope as the PRO C2, with the following additional features:

- Regulation of combi heaters with a heating output of up to 10.5 kW and vaporizer output of up to 3.5 kW in the temperature range spanning 30 °C to 110 °C and a humidity range spanning 5% to 100 %.

- **Post-drying program**
After operation in combined mode, the post-drying program starts automatically to prevent mould or rot from forming in the sauna cabin. This involves heating the sauna cabin to 80°C with the fan running.
The duration can be set from OFF - 60 minutes.

3.4. Sauna operating modes

The sauna control unit PRO B2 enables sauna mode. The sauna control unit Pro C3 provides two operating modes, sauna mode and combi mode.

Sauna mode

Dry heat is provided in sauna mode. The temperature in the cabin is high (80 to 100°C). The humidity is low (no more than 10%).

Combi mode

In combined mode, the vaporizer operates along with the heater. The temperature in the sauna cabin is lower (around 40 to 65 °C) than in sauna mode, but the relative humidity is much higher, ranging from 35% to 70%. The maximum humidity that can be set depends on the temperature of the sauna. The higher the sauna temperature, the lower the maximum humidity level which can be set (see **characteristic curve on page 12**).

EN

3.5. Sensor operating modes

The sauna control unit can be operated with one or two sensors. A temperature sensor (bench sensor, F2) or a humidity sensor (FTS2) can be used as the second sensor.

Single sensor mode (F1)

Single-sensor mode must be activated in the technician menu (see **8.2. Settings in the technician menu on page 26**).

In single-sensor mode, the sauna control unit is operated with the heater sensor with overheat cut-out (F1) only. This is included in the scope of delivery.

In single-sensor mode, the sauna control unit only displays the set temperature as standard. The actual temperature is not displayed. If the sauna control unit is to display the temperature above the heater (F1 sensor) as the actual temperature in single-sensor mode, this must be activated during commissioning (see **8.2. Settings in the technician menu on page 26**).

The maximum humidity level which can be set in single-sensor mode is based on the temperature above the heater and the humidity is timed. Only the set value for the humidity level (in % of relative humidity) is displayed by the sauna control unit. The actual humidity in the sauna cabin when the humidity is timed depends on the size of the cabin and the vaporizer output, and may differ from the setpoint.

Two-sensor mode with bench sensor (F2)

Two-sensor mode is the factory setting.

In two-sensor mode with bench sensor, a second temperature sensor (bench sensor) is installed above the rear sauna bench. The sauna control unit displays the temperature measured by the bench sensor as the actual temperature.

In two-sensor mode with bench sensor, the humidity is timed. Only the set value for the humidity level (in % of relative humidity) is displayed by the sauna control unit. The actual humidity in the sauna cabin when the humidity is timed depends on the size of the cabin and the vaporizer output, and may differ from the setpoint.

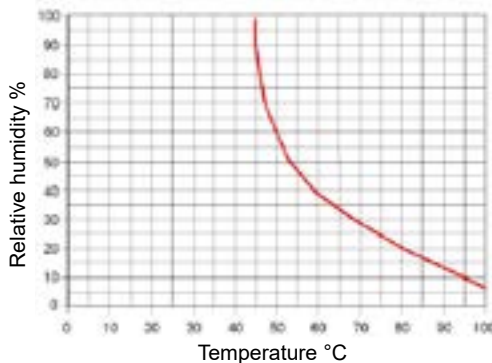
EN

Two-sensor mode with humidity/temperature sensor (FTS2)

Two-sensor mode is the factory setting.

When a humidity/temperature sensor is used in two-sensor mode, the sauna control unit displays the temperature which is measured by the humidity/temperature sensor as the actual temperature.

In two-sensor mode with humidity/temperature sensor, the vaporizer is regulated in accordance with the humidity level measured in the sauna cabin. The sauna control unit displays the actual humidity (in % relative humidity) in the sauna cabin.



EN 60335-2-53:2011; characteristic temperature / relative humidity for proper use.

4. Installation

4.1. Installing the sauna control unit

ATTENTION!***Damage to the unit***

The sauna control unit is resistant to splashing water, but direct contact with water could still damage it.

- Install the sauna control unit in a dry place at which a maximum humidity of 95% is not exceeded.

ATTENTION!***Interference can impair signal transmission***

- Route all sensor cables separately from other mains cables and control cables.
- Protect cables with only one layer of insulation by using a conduit (double insulation).

EN

Observe the following points when installing the sauna control unit:

- The sauna control unit must be installed outside the sauna cabin or in accordance with the recommendation issued by the sauna manufacturer.
- The ambient temperature must be within a range spanning -10°C to $+40^{\circ}\text{C}$.
- The sensors may only be connected using the sensor cables supplied with the unit, which are heat-resistant up to 150°C .



The sensor leads may be extended under the following conditions:

- A silicon cable resistant to temperatures up to 150°C is used.
 - The minimum cross-sectional of the cable is 0.5 mm^2 .
 - The heater sensor cables may NOT be longer than 10 m.
-

To install the sauna control unit, perform the following steps:

1. Screw two cross-head screws (16 mm) into the wall of the sauna at a height of approx. 1.70 m and leaving a protruding length of 7 mm. The two screws must be placed at a distance of 145 mm from each other (see **Fig.1**).

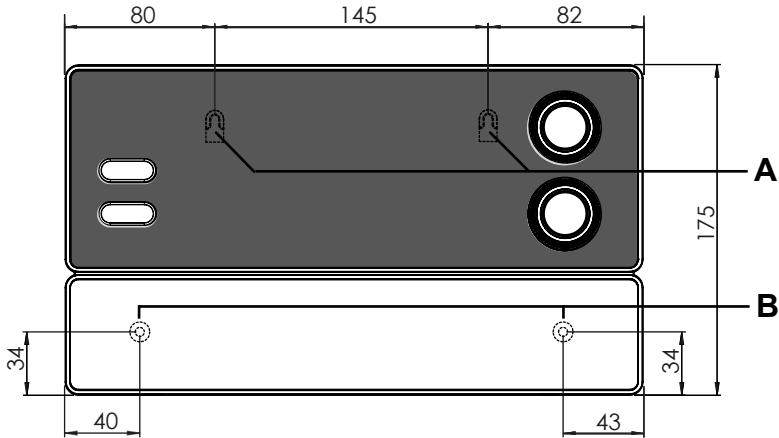


Fig.1 Position of the attachment device and the installation holes (dimensions in mm)

2. Press the clip locks **C** in lightly using a screwdriver and remove the cover from the housing (see **Fig.2**).
3. Fasten the sauna control unit onto the cross-head screws using the attachment device **A** as an aid (see **Fig.1**).
4. Screw two cross-head screws (16 mm) into the lower fastening holes **B** (see **Fig.1**).

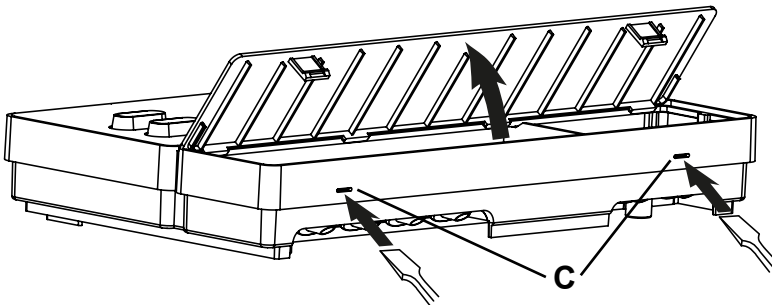


Fig.2 Removing the cover from the housing

4.2. Installing the heater sensor F1 with overheat cut-out

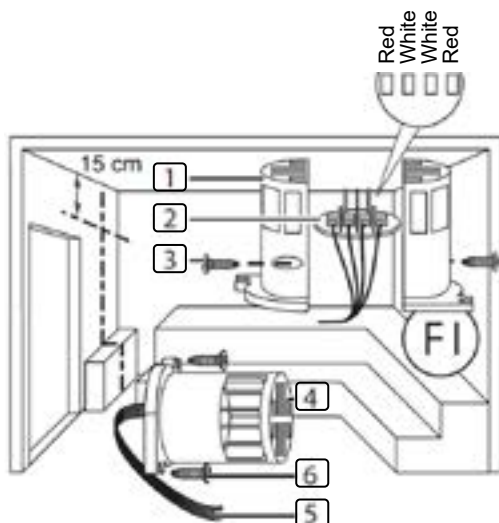
Note the following points when installing the heater sensor:

- The heater sensor must be installed on the rear of the heater, above the middle of the sauna heater. A distance of about 15 cm from the ceiling of the cabin must be maintained.
- The heater sensor must be installed in such a way that it is not affected by inflowing air.

To install the heater sensor, perform the following steps (see **Fig.3**):

1. Route the two 2-pole heater sensor cables in the wall of the sauna cabin to the installation location of the heater sensor and affix the heater sensor cables using cable clips.
2. Pull the two half-shells 1 of the heater sensor apart.
3. Connect the four connections for the heater sensor cable 5 in accordance with the **Fig.3**.
4. Place the connection panel 2 crossways (as shown in **Fig.3**) in the heater sensor half-shells.
5. Place the two half-shells together, screw them together using two cross-head screws 3 (9 mm) and check whether the heater sensor has been securely closed.
6. Install the heater sensor on the rear of the heater using the two wood screws 6 supplied (16 mm).

EN



- 1 Heater sensor half-shells
- 2 Connection panel
- 3 Cross-head screws (9 mm)
- 4 Heater sensor
- 5 Heater sensor leads
- 6 Wood screws (16 mm)

Fig.3 Installing the heater sensor

4.3. Installing bench sensor F2 (optional)

The bench sensor must be installed on the wall of the cabin above the rear bench seat. A distance of about 15 cm from the ceiling of the cabin must be maintained.

To install the bench sensor, carry out the following steps:

1. Route the 2-pole bench sensor lead in the wall of the sauna cabin to the mounting location of the bench sensor and affix the bench sensor leads using cable clips.
2. Pull the two half-shells of the bench sensor apart.
3. Connect the two connectors for the bench sensor lead to the two middle terminals on the connection panel.
4. Place the connection panel crossways in the bench sensor half-shells.
5. Place the two half-shells together and screw them together using the two cross-head screws (9 mm).
6. Check whether the bench sensor has been securely closed.
7. Install the bench sensor on the wall of the sauna cabin using the two supplied wood screws (16 mm). Maintain a clearance of 15 cm from the roof of the sauna cabin.

EN

4.4. Installing humidity/temperature sensor FTS2 (optional, PRO C3 only)

The humidity/temperature sensor must be installed on the wall of the cabin above the rear bench seat. A distance of approx. 15 cm from the ceiling of the cabin must be maintained.

To install the humidity and temperature sensor, perform the following steps:

1. Route the 5-pole sensor cable in the wall of the sauna cabin to the mounting position of the humidity/temperature sensor and affix the sensor leads using cable clips.
2. Install the humidity/temperature sensor to the wall of the sauna cabin using the two supplied wood screws (16 mm). Maintain a clearance of 15 cm to the roof of the sauna cabin.

4.5. Installing the foil sensor (optional)

If an infrared heat plate is to be connected to an additional output, the P-ISX-FF foil sensor must be used.

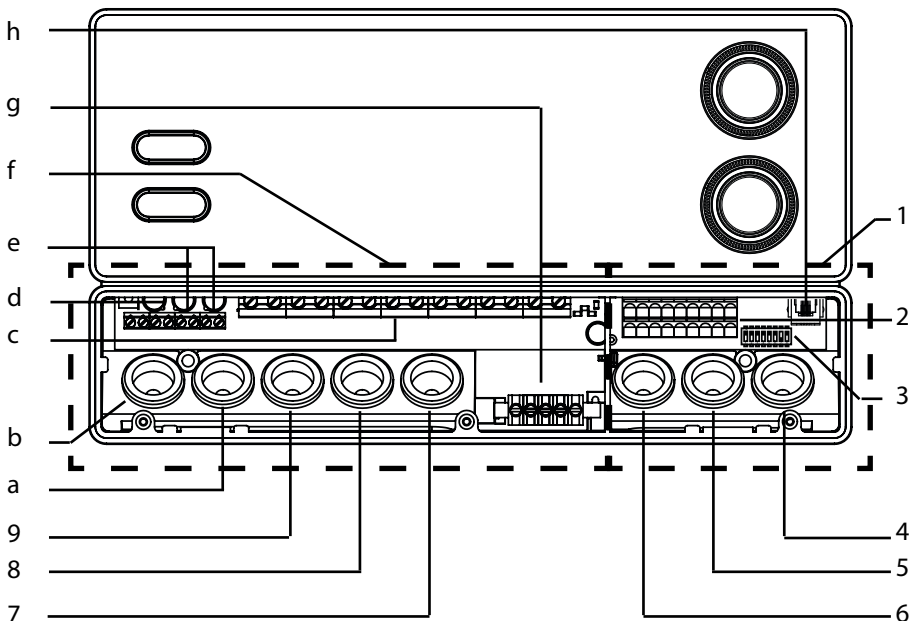
- When installing the foil sensor, observe the operating instructions for the infrared heating plates.
- Use of a foil sensor must be activated in the technician menu (see **8.2. Settings in the technician menu** on page 26).

5. Electrical connection

ATTENTION!

Damage to the unit

- The sauna control unit may only be used for operating and controlling 3 heating circuits with a maximum heating capacity of 3.5 kW per heating circuit. The maximum vaporizer output (PRO C3 only) is 3.5 kW. The maximum additional output totals 3.5 kW.



- | | |
|--|---|
| 1 Low-voltage connection area | 8 Cable gland for heater cable |
| 2 Terminal strips for safety shut-off, remote start, status output and sensor cables | 9 Cable gland for power supply cable |
| 3 Function selection switch | a Cable gland for power booster |
| 4 Cable gland for F2, FTS2 and foil sensor | b Cable gland for light and fan |
| 5 Cable gland for F1 sensor and status output | c Terminal strip for heater and vaporizer wires, power supply cable and additional device |
| 6 Cable gland for safety shut-off and remote start | d Terminal strip for lights and fan |
| 7 Cable gland for vaporizer wire and additional output | e Terminal strip for power booster |
| | f Connection area for 230 V/400 V |
| | g Earthing bar |
| | h RJ45 socket for RS-485 and MySentio WiFi |

Observe the following points when connecting the power to the sauna control unit:

- Installation may only be performed by a qualified electrician or similarly qualified person.



Please observe that in the event of a guarantee claim, a copy of the bill from the electrician performing the work must be presented.

- Work on the sauna control unit may only be performed when the power has been disconnected.
- There must be a fixed connection for the electrical power supply.
- A fully disconnecting all-pole isolating device compliant with overvoltage category III must be fitted on site.
- Observe the connection diagram (**Fig.4**) on page **23**.

EN

5.1. Connecting the power supply cable, heater and vaporizer

1. Feed the power supply, heater and vaporizer cables (PRO C3 only) through the cable glands 9, 8, 7 into the connection area for 230 V/400 V f.
2. Connect the cables to the terminal strip c in accordance with the connection diagram. Follow the operating instructions for each device.
3. If the vaporizer does not feature an automatic low-water indicator, then perform the following step as well:
 - Use the wire jumper enclosed to connect terminal “**V1**” to terminal “**Wm**”.

5.2. Connecting the light

1. Feed the light cable through the cable gland b into the connection area for 230 V/400 V f.
2. Connect the light cable to the terminal strip d in accordance with the connection diagram. Observe the operating instructions for the respective device.

5.3. Connecting the fan (optional)

1. Feed the fan cable through the cable gland b into the connection area for 230 V/400 V f.
2. Connect the fan cable to the terminal strip d in accordance with the connection diagram. Observe the operating instructions for the respective device.

5.4. Connecting the additional output (optional)

The additional output can, for example, be used for an infrared heater or infrared heating plates.

1. Feed the connection cable for the additional device through the cable gland 7 into the connection area for 230 V/400 V f.
2. Connect the cables to the terminal strip c in accordance with the connection diagram. Observe the operating instructions and safety information for the respective device.



WARNING!

Risk of fire

The additional output has no overheat cut-out. For this reason, only intrinsically safe devices should be operated using the additional output.

- If infrared heaters are connected to the additional output, they must have an overheat cut-out.
- If infrared heating plates are connected to the additional output, the foil sensor P-ISX-FF must be used, and must be activated in the technician menu (see **8.2. Settings in the technician menu** on page 26).

EN

5.5. Connecting the power booster (optional)

1. Feed the cable for the power booster through the cable gland a into the connection area for 230 V/400 V f.
2. Connect the cable for the power booster to the terminal strip e in accordance with the connection diagram. To do so, use terminal “**ST1**” for the safety circuit, and terminal “**ST2**” for the control circuit. Follow the operating instructions for each device.

5.6. Connecting the heater sensor F1

1. Feed the wires for the heater sensor through the cable gland 5 into the low-voltage connection area 1.
2. Connect the red wires for the heater sensor to the terminals labelled “**STB**” in terminal strip 2.
3. Connect the white wires for the heater sensor to the terminals labelled “**F1**” in terminal strip 2.

5.7. Installing bench sensor F2 (optional)

1. Feed the wires for the bench sensor through the cable gland 4 into the low-voltage connection area 1.
2. Connect the wires for the bench sensor to the terminals labelled “**F2**” in terminal strip 2.

5.8. Connecting the humidity/temperature sensor FTS2 (optional, PRO C3 only)

1. Feed the wires for the sensor through the cable gland 4 into the low-voltage connection area 1.
2. Connect the wires for the temperature sensor to the terminals labelled “**F2**” in terminal strip 2.
 - a. the black wire to the right terminal.
 - b. the brown wire to the left terminal.
3. Connect the wires for the humidity sensor to the terminals labelled “**+ S -**” in terminal strip 2.
 - c. the green wire to terminal “**+**”.
 - d. the orange wire to terminal “**S**”.
 - e. the red wire to terminal “**-**”.

EN

5.9. Connecting the foil sensor (optional)

1. Feed the wires for the sensor through the cable gland 4 into the low-voltage connection area 1.
2. Connect the sensor cables for the sensor to the terminals labelled “**FF**” in terminal strip 2.

5.10. Connecting the safety shut-off/door sensor

EN 60335-2-53 states that sauna control units with a remote control function may only be used for controlling a sauna heater which has satisfied the combustion test in section 19.101. Alternatively, a suitable safety shut-off / door-open sensor can be installed. This shuts the sauna heater off if items (such as a towel) are placed on the sauna heater or the sauna door is opened.

To install the safety shut-off device, perform the following steps:

1. Install the safety shut-off device in accordance with the operating instructions for the device.
2. Feed the cables for the safety shut-off through the cable gland 6 into the low-voltage connection area 1.
3. Connect the cables to the terminals labelled “**OSG**” in terminal strip 2.



If a safety shut-off is not installed, a jumper must be fitted at the terminals labelled “**OSG**”.

EN

5.11. Remote start

The remote start device is connected using terminals “**S**”, “**B**” and “**C**”. “**S**” stands for sauna mode and “**C**” for vaporizer mode. “**B**” is a +24 V DC output. The preferred operating mode must be activated using a switch or actuator on the terminal.

5.12. Status output

Any electrical device can be connected to the status output terminal which is suitable for 24 V DC voltage and draws a current no greater than 200 mA. Make sure the polarity is correct when connecting a device. If LEDs are used, a suitable series resistor must be used.

5.13. Finishing the installation

1. Connect the protective earth conductors for the power supply cable and all devices to the earthing bar g.
2. Place the cover of the housing on the upper edge of the junction box.
3. Push the clip locks inwards lightly, and turn the cover of the housing downwards until it engages audibly.

6. Testing



WARNING!

The following tests must be carried out with the power supply switched on. There is a danger of electric shock.

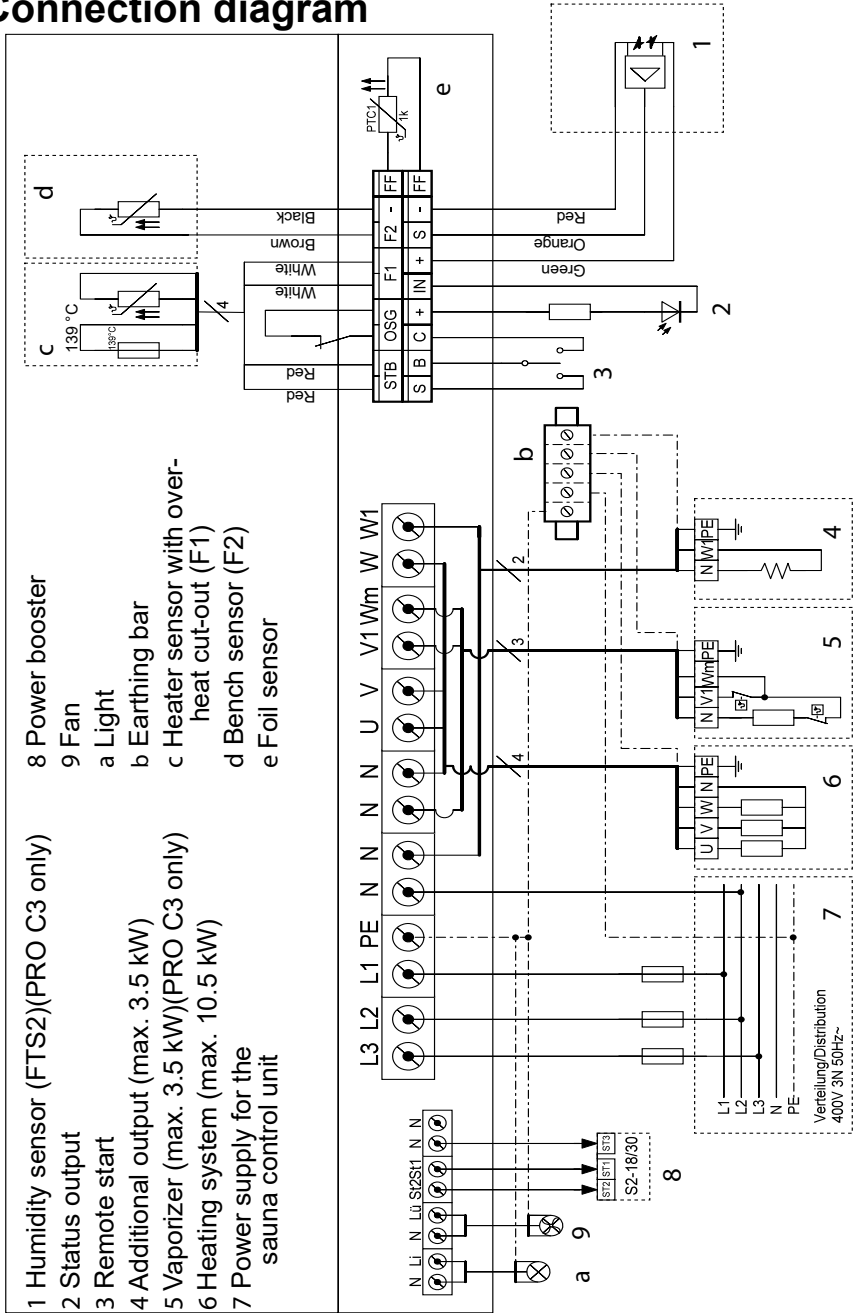
- NEVER touch live parts.

The following tests must be performed by a qualified electrician.

1. Check the contact of the earth conductors on the earth conductor terminal.
2. Check the overheat cut-out on the heater sensor F1.
 - a. Switch on the sauna control unit.
 - b. Open the heater sensor and disconnect one of the two red heater sensor wires.
 - ▶ A recurring warning tone is emitted, "Err" shows in the top display, "02" shows in the bottom display.
 - ▶ The controller switches off the heater.
 - c. Switch off the sauna control unit.
 - d. Reconnect the red heater sensor wire.
 - e. Now disconnect one of the white heater sensor wires.
 - f. Switch on the sauna control unit.
 - ▶ A recurring warning tone is emitted, "Err" shows in the top display, "04F1" shows in the bottom display.
 - ▶ The controller switches off the heater.
 - g. Switch off the sauna control unit.
 - h. Reconnect the white heater sensor wire.
3. Check the phase circuit for sauna mode L1, L2, L3 is connected to U, V, W.
4. For PRO C3: Check that the phase circuit for vaporizer mode L1, L2, L3 is connected to U, V1, W.
5. Ensure the phase circuit for L3 is connected to W1 when the device connected to the additional output is activated.
6. Check the maximum permissible heating output of 3.5 kW per phase on the sauna control unit.
7. If there is an optional power booster:
 - a. Check the control cables ST1, ST2 and ST3.
 - b. Check the maximum permissible heating output of 3 kW per phase on the power booster S2-18.
 - c. Check the maximum permissible heating output of 7 kW per phase on the power booster S2-30.

7. Connection diagram

Fig.4 Connection diagram



8. Commissioning

8.1. Setting the function selection switch

The function selection switch in the low-voltage connection area allows a variety of product functions to be activated. The figure at the right shows the standard setting for the function selection switch.

EN

Note that the control unit needs to be switched off for 10 seconds after making changes so that the settings are saved.

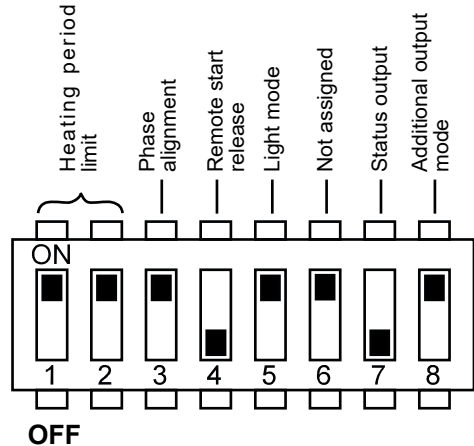


Fig.5 Function selection switch - Standard setting

Setting the heating time limit

The maximum heating time is set to 6 hours as standard. The sauna control unit shuts down automatically after the maximum heating time for safety reasons.

The function selection switch in the low-voltage connection area allows the maximum heating period to be set to 6 hours, 12 hours, 18 hours or 24 hours. The required positions of the function selection switch can be found in the table on the right.

<i>Function selection switch</i>	1	2
6 hours	ON	ON
12 hours	OFF	ON
18 hours	ON	OFF
24 hours	OFF	OFF



EN 60335-2-53 specifies a maximum heating time limit of 6 hours for private saunas. For saunas in hotels, apartment blocks and similar locations, a maximum heating time limit of 12 hours is permissible. Extending the heating period limit to 18 hours or 24 hours is only permitted in public saunas.

Activating/deactivating phase alignment

Phase alignment is activated or deactivated using the function selection switch **3**.

- The function selection switch **3** is set to the ON position as standard. Phase alignment is therefore activated.
- If you wish to deactivate phase alignment, place the function selection switch **3** in the OFF position.

Remote start release

Function selection switch **4** can be used to select the function of the remote start output (please see EN 60335-2-53).

- Function selection switch **4** is set to the OFF position as standard. The remote start is activated using “Standby for remote control”.
- If you want to enable the remote start output for various devices (e.g. coin-operated unit, remote start system, door monitoring), set function selection switch **4** to the ON position.

EN

Setting the light operating mode

The light for the sauna cabin can either be dimmed or switched on and off. The dimmer switch function is activated or deactivated using the function selection switch **5**.

- The function selection switch **5** is set to the ON position as standard. The dimmer switch function is therefore activated.
 - ▶ To change the dimming characteristic, see “**Changing the light dimming characteristic**” on page 29.
- If you wish to deactivate the dimmer function for the sauna cabin light, place the function selection switch **5** in the OFF position.

Status output

The function selection switch **7** can be used to help to decide whether the status output should be activated during sauna mode or during the post-drying program. Activation during the post-drying program allows the vaporizer to be drained automatically when a combi heater with an auto refill function is being used.

- Function selection switch **7** is set to the OFF position as standard. The status output is therefore activated during sauna mode.
- If you wish to activate the status output during the post-drying program, place the function selection switch **7** in the ON position.

Setting the operating mode for the additional output

The additional output can either be modulated or switched on and off. The dimmer switch function is activated or deactivated using the function selection switch **8**.

- The function selection switch **8** is set to the ON position as standard. The dimmer switch function is therefore activated.
- If you wish to deactivate the dimmer switch for the additional output, place the function selection switch **8** in the OFF position.

8.2. Settings in the technician menu

Opening the technician menu

Additional settings can be made in the technician menu. To access the technician menu, perform the following steps:

1. Switch off the sauna control unit.
2. Press the bottom knob and the ON/OFF switch at the same time.
 - ▶ In the top display, "SEtt" appears briefly.
 - ▶ The two knobs flash.

EN



The settings are saved as soon as you exit the technician menu (see **Exiting the technician menu on page 30**).

Activating single-sensor mode

In single-sensor mode, the sauna control unit is operated with the heater sensor with an excess temperature fuse (F1) only. The two-sensor mode is activated as standard. If you wish to activate the single-sensor mode, perform the following steps:

1. Open the technician menu (see **26**).
2. Turn the top knob to the temperature symbol (position **A** – see point **9.2** on page **31**).
 - ▶ The temperature symbol flashes.
 - ▶ In the top display, "SEnB" appears.
 - ▶ In the bottom display, "On" appears.
("On" means that the two-sensor mode is activated.)
3. Turn the bottom knob to the left.
 - ▶ In the bottom display, "OFF" appears.
 - ▶ The single-sensor mode is activated.

Displaying the heater temperature in single-sensor mode

In single-sensor mode, the sauna control unit only displays the set temperature as standard. The actual temperature is not displayed. Should the sauna control unit display the temperature above the heater (F1) as an actual temperature in single-sensor mode, it must be activated in the technician menu.

1. Open the technician menu (see page **26**)
2. Activate the single-sensor mode (see page **26**).
 - ▶ The top display shows "SEnB".
 - ▶ The bottom display shows "OFF".
3. Press the bottom knob.
 - ▶ In the top display, "dISP" appears.
 - ▶ "SEt" appears in the bottom display (only the set temperature is displayed in single-sensor mode.)
4. Turn the bottom knob to the left.
 - ▶ "SEnS" appears in the bottom display (the heater temperature (F1 sensor) is displayed as the actual temperature in the single-sensor mode)

EN

Decreasing the maximum temperature to 105 °C

The preset temperature can be set to between 30 °C and 110 °C as standard. If you wish to decrease the maximum temperature from 110 °C to 105 °C, perform the following steps:

1. Open the technician menu (see **26**).
2. Turn the top knob to the temperature symbol (position **A** – see point **9.2** on page).
 - ▶ The temperature symbol flashes.
 - ▶ In the top display, "SEnB" appears.
3. Press the bottom knob until "tHI" appears in the top display.
 - ▶ In the bottom display, "110" appears.
4. Turn the bottom knob to the left.
 - ▶ "105" appears in the bottom display (maximum temperature set to 105°C)

Activating simultaneous display of the temperature and humidity

To activate simultaneous display of the temperature and humidity, carry out the following steps:

1. Open the technician menu (see **26**).

2. Turn the top knob to the temperature symbol (position **A** – see point **9.2** on page **31**).
 - ▶ The temperature symbol flashes.
 - ▶ In the top display, "SEnB" appears.
3. Press the bottom knob several times until "IS2" appears in the top display.
4. Turn the bottom knob to the left or right to activate or deactivate the function.

Activating vaporizer single mode (PRO C3 only)

The vaporizer is factory set so that it can only be operated together with the heating system. To operate the vaporizer on its own without the heating system, this function must be activated. Perform the following steps:

1. Open the technician menu (see **26**).
2. Turn the top knob to the humidity symbol (position **B** – see point **9.2** on page **31**).
 - ▶ The humidity symbol flashes.
 - ▶ In the top display, "SIn" appears.
 - ▶ "OFF" appears in the bottom display (deactivated vaporizer single mode.)
3. Turn the bottom knob to the right.
 - ▶ "On" appears in the bottom display (activated vaporizer single mode)

Setting the duration of the post-drying program (PRO C3 only)

The standard setting for the maximum duration of the post-drying program is 30 min. If you wish to change this setting, perform the following steps:

1. Open the technician menu (see **26**).
2. Turn the top knob to the humidity symbol (position **B**)
 - ▶ The humidity symbol flashes.
 - ▶ In the top display, "SIn" appears.
3. Press the bottom knob.
 - ▶ "t30" appears in the bottom display.
4. Turn the bottom knob (selection 0–60; 0 = post-drying program switched off; 60 = maximum duration in minutes)

Activating/deactivating the foil sensor

If an infrared heat plate is connected to an additional output, the P-ISX-FF foil sensor must be used. The foil sensor must be activated. Perform the following steps:

1. Open the technician menu (see **26**).
2. Turn the top knob to the additional output symbol (position **C** – see point **9.2** on page **31**).
 - ▶ The additional output symbol lights up.
 - ▶ In the top display, "SEnF" appears.
 - ▶ In the bottom display, "OFF" appears. (deactivated foil sensor)
3. Turn the bottom knob to the right.
 - ▶ "On" appears in the bottom display (activated foil sensor)

Changing the light dimming characteristic

Because incandescent bulbs and LEDs react differently to the dimming function, it is possible to select the dimming characteristic according to the light system used.

EN

1. Open the technician menu (see **26**).
2. Turn the top knob to the light symbol (position **D** – see point **9.2** on page **31**).
 - ▶ The light symbol lights up.
 - ▶ "tYPE" appears in the top display.
 - ▶ In the bottom display, "BULB" appears. ("BULB" means the dimming characteristic for incandescent bulbs is activated.)
3. Turn the bottom knob to the left.
 - ▶ In the bottom display, "LED" appears. ("LED" means the dimming characteristic for LEDs is activated.)

Setting the fan operating mode

The fan can either be modulated or switched on and off. The dimmer switch function for the fan is activated as standard. If you wish to deactivate the dimmer switch function for the fan, perform the following steps:

1. Open the technician menu (see **26**).
2. Turn the top knob to the fan symbol (position **E** – see point **9.2** on page **31**).
 - ▶ The fan symbol lights up.
 - ▶ In the top display, "FAn" appears.
 - ▶ In the bottom display, "On" appears. ("On" means that the dimmer switch function is activated.)

3. Turn the bottom knob to the left.
 - ▶ In the bottom display, "OFF" appears.
 - ▶ The dimmer switch function for the fan is deactivated.

Activating the safety shut-off/door sensor

The safety shut-off is activated as standard. If you wish to activate the door-open sensor function, perform the following steps:

1. Open the technician menu (see **26**).
2. Turn the top knob to the remote start symbol (position **J** – see point **9.2** on page **31**).
 - ▶ The remote start symbol flashes.
 - ▶ "SdO" appears in the top display.
 - ▶ "SAFE" appears in the bottom display.
3. Turn the bottom knob to the right.
 - ▶ "door" appears in the bottom display.
 - ▶ The door sensor is activated.

EN

Querying the software version

To query the software version of your sauna control unit, carry out the following steps:

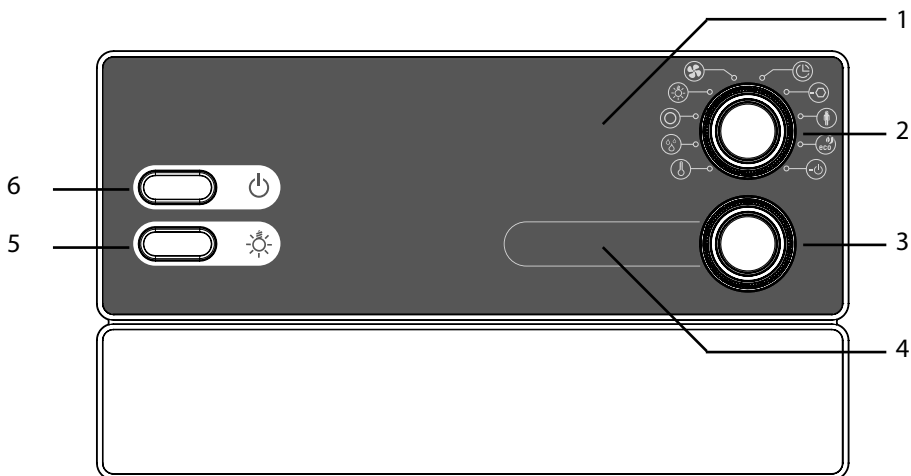
1. Open the technician menu (see **26**).
2. Turn the top knob to the eco symbol (position **I** – see point **9.2** on page **31**).
 - ▶ The software version "5.00.5" will appear in the top display.

Exiting the technician menu

- Press the bottom knob for one second.
 - ▶ The bottom knob stops flashing.
 - ▶ The top knob lights up.
 - ▶ The technician menu closes.
 - ▶ Your settings were saved.

9. Controls

9.1. Description of the operating elements



1 Additional display

2 Function selector

3 Intensity selector

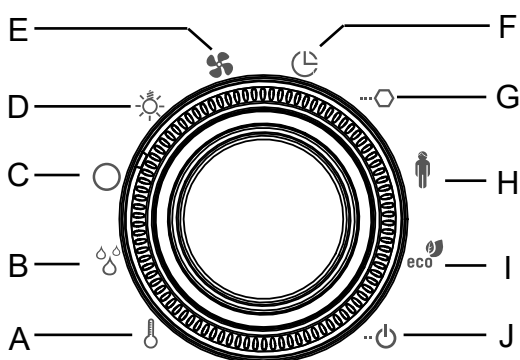
4 Intensity display

5 Light switch

6 ON/OFF switch

9.2. The function selector

The function selector 2 allows you to define which function is to be changed with the intensity selector 3. The function selector 2 lights up when the sauna control unit is switched on.



A Temperature

B Humidity (PRO C3 only)

C Additional output

D Light

E Fan

F Preset time

G Duration

H User program

I Eco-function

J Remote start

9.3. The intensity selector

The intensity selector 3 allows you to adjust the intensity or output of each function which is selected on the function selector 2.

- Turn the intensity selector 3 to the right to increase the output.
- Turn the intensity selector 3 to the left to decrease the output.

When you press the intensity selector 3, you start the function which is selected on the function selector 2.

- The intensity selector 3 lights up when the function selected on the function selector 2 is switched on.

10. Operation

EN

10.1. Switching on the light

The light in the sauna cabin can be switched on and off independently of the ON/OFF switch 6.

- To switch the light on or off, press the light switch 5.



If the light switch 5 is switched on, the sauna cabin light will operate at full power. If you wish to dim the light using the intensity selector 3, switch off the light switch 5.

10.2. Switching on the sauna control unit

- Press the ON/OFF switch 6 to switch on the sauna control unit.
 - ▶ The function selection switch 2 lights up.



Basic operation

1. Turn the function selector 2 to the function (Sauna, Humidity, Light, Fan, Additional output) you wish to start or switch off.
2. Use the intensity selector 3 to select the intensity of the function.
3. Press the intensity selector 3 to start or switch off the function.



If you switch off the sauna heater (temperature function **A**), the vaporizer (humidity function **B**) is automatically switched off.

10.3. Starting sauna mode

**WARNING!*****Risk of fire***

Flammable objects that are placed on the sauna heater could ignite and cause fires.

- NEVER place combustible objects on the sauna heater.
- Make sure that NO flammable objects have been placed on the sauna heater before the sauna control unit is switched on.

1. Turn the function selector 2 to position **A** (temperature).
 - ▶ The temperature symbol lights up.
2. Use the intensity selector 3 to set the preferred temperature.
3. Press the intensity selector 3.
 - ▶ The sauna heater is switched on and begins to heat up.
 - ▶ The intensity selector 3 lights up.
 - ▶ Then the current temperature in the sauna cabin is displayed in the intensity display 4. In single-sensor mode, the preset temperature is displayed.

EN

10.4. Starting Combi mode (PRO C3 only)

1. Turn the function selector 2 to position **A** (temperature).
 - ▶ The temperature symbol lights up.
2. Use the intensity selector 3 to set the preferred temperature.
3. Press the intensity selector 3.
 - ▶ The sauna heater is switched on and begins to heat up.
 - ▶ The intensity selector 3 lights up.
 - ▶ Then the current temperature in the sauna cabin is displayed in the intensity display 4. In single-sensor mode, the preset temperature is displayed.
4. Turn the function selector 2 to position **B** (humidity).
 - ▶ The humidity symbol lights up.
 - ▶ The light on the intensity selector 3 goes out.
5. Use the intensity selector 3 to set the preferred humidity.

6. Press the intensity selector 3.
 - ▶ The vaporizer switches on.
 - ▶ The intensity selector 3 lights up.
 - ▶ Then the current humidity in the sauna cabin is displayed in the intensity display 4. If a humidity temperature sensor is not installed, the preset humidity is displayed.



The vaporizer (humidity function **B**) can only be started when the sauna heater (temperature function **A**) is switched on. The maximum humidity that can be set depends on the temperature of the sauna. The higher the sauna temperature, the lower the maximum humidity level which can be set.

Exception: Vaporizer single mode is activated (see “**8.2. Settings in the technician menu**” on page 26). The vaporizer can also be operated here without the sauna heater, with the maximum humidity depending on the current sauna cabin temperature.

EN



If the sauna control unit is used without a humidity/temperature sensor (FTS2), cyclic mode is activated. If the sauna cabin temperature is less than 30° C, the vaporizer is activated continuously for 10 minutes. This ensures that the water in the tank reaches a basic temperature level. Cycle mode then starts.

10.5. Starting additional output

Infrared heaters or infrared heating plates, for example, can be connected to the additional output on the sauna control unit.



WARNING! *Risk of fire*

Flammable objects that are placed on or in front of the infrared heater could ignite and cause fires.

- NEVER place flammable objects on or in front of the infrared lamp.
- Make sure that NO flammable objects have been placed on or in front of the infrared heater before you switch it on.

Two different modes are available for the additional output:

1. **Intensity regulation**
2. **Room temperature regulation**

You can switch between the two modes as follows:

1. Turn the function selector 2 to position **C** (additional output).
 - ▶ The additional output symbol lights up.
 - ▶ The intensity display 4 displays either an intensity value or the temperature, depending on the mode.
2. Press the bottom knob for three seconds (long press).
 - ▶ The mode you just selected is shown in the top display:
 - Display: "**StEP**" - the additional output is in **intensity regulation** mode.
 - Display: "**tE**" - the additional output is in **room temperature regulation** mode.

Intensity regulation when the dimmer switch function is activated

When the dimmer switch function for the additional output is activated, the power for the additional device can be set on a scale of 0 to 7. At 0, the additional device is switched off. The value of 7 corresponds to full power.

EN

1. Turn the function selector 2 to position **C** (additional output).
 - ▶ The additional output symbol lights up.
2. Use the intensity selector 3 to set the preferred power of the additional device.
3. Press the intensity selector 3.
 - ▶ The additional device is switched on.
 - ▶ The intensity selector 3 lights up.

Intensity regulation when the dimmer switch function is deactivated

When the dimmer switch function for the additional output has been deactivated, you can only switch the additional device on and off. The device will always operate at full power.

1. Turn the function selector 2 to position **C** (additional output).
 - ▶ The additional output symbol lights up.
 - ▶ In the intensity display, "OFF" appears.
2. Press the intensity selector 3.
 - ▶ The additional device is switched on.
 - ▶ The intensity selector 3 lights up.
 - ▶ In the intensity display, "ON" appears.

Room temperature control with the additional output

If the mode of the additional output is set to cabin temperature regulation, a sauna cabin temperature can be set, which is regulated using the additional output. This can be used to regulate the cabin temperature using only infrared heaters or infrared heating plates.

Setting options

- Infrared heaters (without foil sensor): 30 - 70° C
- Infrared heating plates (with foil sensor): 30 - 50° C

10.6. Switching on the light



If the sauna heater is already active or if it is started additionally, temperature regulation of the additional output is not possible. The mode is automatically changed to power regulation and the additional output continues operating at the highest level.

When the dimmer switch function is activated

When the dimmer function for the light is activated, the power for the light can be set to any level between level 0 and 100. At 0, the light is switched off. The value of 100 corresponds to full power.

EN

1. Turn the function selector 2 to position **D** (light).
 - ▶ The light symbol lights up.
2. Use the intensity selector 3 to set the preferred light power.
3. Press the intensity selector 3.
 - ▶ The light switches on.

The intensity selector 3 lights up.



If the light switch 5 is switched on, the sauna cabin light will operate at full power. If you wish to dim the light using the intensity selector 3, switch off the light switch 5.

When the dimmer switch function is deactivated

When the dimmer function for the light has been deactivated, you can only switch the light on and off. The light will always operate at full power.

1. Turn the function selector 2 to position **D** (light).
 - ▶ The light symbol lights up.
 - ▶ In the intensity display, "OFF" appears.
2. Press the intensity selector 3.
 - ▶ The light switches on.
 - ▶ The intensity selector 3 lights up.
 - ▶ In the intensity display, "ON" appears.

10.7. Starting the fan

When the dimmer switch function is activated

When the dimmer switch function for the fan is activated, the power for the fan can be set to a scale of 0 to 100. At 0, the fan is switched off. The value of 100 corresponds to full power.

1. Turn the function selector 2 to position **E** (fan).
 - ▶ The fan symbol lights up.
2. Use the intensity selector 3 to set the preferred power of the fan.
3. Press the intensity selector 3.
 - ▶ The fan switches on.
 - ▶ The intensity selector 3 lights up.

When the dimmer switch function is deactivated

When the dimmer switch function for the fan has been deactivated, you can only switch the fan on and off. The device will always operate at full power.

EN

1. Turn the function selector 2 to position **E** (fan).
 - ▶ The fan symbol lights up.
 - ▶ In the intensity display, "OFF" appears.
2. Press the intensity selector 3.
 - ▶ The fan switches on.
 - ▶ The intensity selector 3 lights up.
 - ▶ In the intensity display, "ON" appears.

10.8. Setting the preset time

You can set the preset time to the minute. The maximum preset time totals 24 hours. The preset time is shown in hours and minutes, e.g. 8 hours and 15 minutes is shown as 8.15.



WARNING!

Risk of fire

Combustible objects that are placed on the heater will ignite and cause fires.

- NEVER place combustible objects on the sauna heater.
- Make sure that NO flammable objects have been placed on the sauna heater before you activate the preset timer function.

1. Start the functions to be started after the preset time.
2. Turn the function selector 2 to position **F** (preset time).
 - ▶ The most recently set preset time is shown in the intensity display 4.
3. Use the intensity selector 3 to set the preferred preset time.
4. Press the intensity selector 3.
 - ▶ The sauna control unit changes to standby mode and the timer starts running.
 - ▶ The remaining preset time is shown in the intensity display 4.
 - ▶ The preset time symbol flashes.
 - ▶ The intensity selector 3 lights up.
 - ▶ Once the preset time has elapsed, the selected functions are started.

10.9. Cancelling the preset time feature

- Press the intensity selector 3 to cancel the preset time function.
 - ▶ The preset time countdown is cancelled.
 - ▶ The preset time symbol lights up and stays lit.

10.10. Setting the duration

When you start the sauna, you can already determine how long the sauna is to operate. In this case, the maximum heating time cannot be exceeded (e.g. 6 h for private saunas). The duration is shown in hours and minutes, e.g. 3 hours and 15 minutes is shown as 3.15.

1. Turn the function selector 2 to position **G** (duration).
 - ▶ The most recently set duration is shown in the intensity display 4.
2. Use the intensity selector 3 to set the preferred duration.
3. To save the duration permanently, press the bottom knob for three seconds (long press).
 - ▶ The bottom knob lights up 4 times - the setting is saved.



- Press the intensity selector 3 and turn it at the same time.
 - ▶ The preset time or duration changes in increments of one hour.

10.11. Activating standby for remote operation

EN 60335-2-53 specifies that sauna control units with a remote start function must be set manually to “Standby for remote operation” mode.



This activation must take place again after each remote start and stop procedure.

With safety shut-off activated (standard)

Perform the following steps:

1. Turn the function selector 2 to position **J** (remote start).
 - ▶ “oFF” appears in the intensity display 4.
2. Press the bottom knob to activate “Standby for remote operation” mode.
 - ▶ “on” appears in the intensity display 4 and the remote start symbol starts flashing.
 - ▶ The sauna control unit is then ready to be started and stopped using a remote start signal.
 - ▶ After a remote start and stop, the remote start icon goes out and the mode has to be activated again.

EN

When the door sensor is activated

Perform the following steps:

1. Turn the function selector 2 to position **J** (remote start).
 - ▶ “oFF” appears in the intensity display 4.
2. Press the bottom knob to activate “Standby for remote operation” mode.
 - ▶ A countdown of 30 seconds is displayed in the display 4. The door can be opened and closed as many times as desired during this time. After the countdown has elapsed, the door must be closed!
 - ▶ “rc” appears in the intensity display 4 and the remote start symbol starts flashing.
 - ▶ The sauna control unit is now ready to be started using a remote start signal (= “Standby for remote operation” mode)
 - ▶ After a remote start and stop, the remote start icon goes out and the mode has to be activated again.

Door is opening – warning “door” appears in the display

- In “Standby for remote operation” mode:
 - To continue the mode, the door must be closed and the bottom knob must be pressed twice.
 - ▶ The countdown (30 seconds) appears again in the display.
- In ongoing operation or if remote start output is enabled (for coin-operated units or door sensor system):
 - Acknowledgement takes place automatically when the door is closed.

10.12. Changing the preset values

You can change the preset values at any time during operation.

1. Turn the function selector 2 to the function you want to change.
2. Use the intensity selector 3 to set the preferred preset value.

EN

10.13. Stopping the post-drying programme

After combined mode, the post-drying programme is started automatically. This involves heating the sauna cabin to 80°C with the fan running. (Standard = 30 minutes – depending on the setting in the technician menu). In the intensity display 4, the text “dry” is displayed and the temperature symbol flashes.

- Hold down the intensity selector 3 for three seconds (long press) to cancel the post-drying program.



To prevent mould and rot from forming, the post-drying programme should NOT be stopped.

10.14. Switching off the sauna control unit

- Press the ON/OFF switch 6, to switch off the sauna control unit.
 - ▶ The lights on the function selector 2 go out, on the intensity selector and on the intensity level indicator.
 - ▶ The sauna control unit is switched off.

11. User programs

The user programs enable favourite sauna settings to be saved and accessed again. There are 5 preset user programs available which can be modified according to user requirements.

The settings of the following functions are stored in the user programs:

- Temperature
- Humidity (PRO C3 only)
- Additional output (intensity or room temperature regulation)
- Light
- Fan
- Operating time

11.1. Preset user programs

The following user programs are already predefined.

<i>User program</i>	<i>Temperature</i> °C	<i>Humidity</i> %	<i>Auxiliary output</i>	<i>Light</i> %	<i>Fan</i> %	<i>Operating time</i> Hrs
1	90	0	0	50	0	2
2	70	0	0	50	0	2
3	50	60	0	50	0	2
4	60	35	0	50	0	2
5	30	0	7	50	0	1

EN

Accessing user programs

1. Turn the function selector 2 to position **H** (user programs).
 - ▶ The user symbol lights up.
2. Use the intensity selector 3 to select a user program (1–5).
3. Press the intensity selector 3.
 - ▶ The user program is started.
 - ▶ The intensity selector 3 lights up.

11.2. Creating your own user programs

You can create user programs as you would like. A preset user program is overwritten in the process. Perform the following steps:

1. Start all functions that are to be switched on with the user program with the preferred intensity.
2. Turn the function selector 2 to position **H** (user program).
 - ▶ The user symbol lights up.
3. Use the intensity selector 3 to select which number (1–5) under which the new user program is to be saved.
4. Hold down the intensity selector 3 for three seconds (long press).
 - ▶ The intensity selector flashes.
 - ▶ The settings are stored in the selected user program.

Example

<i>User program</i>	<i>Temperature</i> °C	<i>Humidity</i> %	<i>Auxiliary output</i>	<i>Light</i> %	<i>Fan</i> %	<i>Operating time</i> Hrs
2	45	55	0	50	0	3

EN

12. The Eco-function

The ECO function allows you to save energy in breaks between sauna sessions. When the ECO function is activated, the connected devices run with reduced power. You can choose between a 20, 40 or 60-minute sauna break.

The sauna heater and the vaporizer are switched on again before the end of the break. In this way the preset temperature and preset humidity are reached again at the end of the sauna break.

Perform the following steps to activate the Eco-function:

1. Turn the function selector 2 to position **I** (eco-function).
 - ▶ The Eco symbol lights up.
2. Use the intensity selector 3 to set the preferred duration of the break.
 - E20 stands for a 20-minute sauna break.
 - E40 stands for a 40-minute sauna break.
 - E60 stands for a 60-minute sauna break.
3. Press the intensity selector 3.
 - ▶ The intensity selector 3 lights up.
 - ▶ Additional display 1 displays the number of minutes until the sauna heater is to be switched on in order to reach the preset temperature before the end of the sauna break.

13. Cleaning and maintenance

13.1. Cleaning

ATTENTION!

Damage to the unit

The sauna control unit is resistant to splashing water, but direct contact with water could still damage it.

- NEVER immerse the unit in water.
- Do not pour water over the unit.
- Do not get the unit too wet when cleaning it.

1. Soak a cleaning cloth in a mild, soapy water.
2. Wring out the cloth well.
3. Carefully wipe the housing of the sauna control unit.

13.2. Maintenance

The sauna control unit does not require any maintenance.

14. Disposal



- Dispose of packaging materials in accordance with the applicable waste disposal regulations.
- Used devices contain reusable materials as well as hazardous substances. Therefore, do not dispose of your used device with household waste, but do so in accordance with the locally applicable regulations.

15. Troubleshooting

15.1. Error messages

The sauna control unit is equipped with diagnostic software which monitors system statuses when it is switched on and during operation. As soon as the diagnostic software identifies an error, the sauna control unit switches off the sauna heater.

Errors are indicated by a recurring warning tone and by flashing of the function selector 2 and the intensity selector 3. Furthermore, the text "Err" appears in the additional display 1. The error number is shown in the intensity display 4.

Switch the sauna control unit off using the ON/OFF switch 6 and rectify the error before switching the sauna control unit on again.

The following table describes the possible faults and their causes. If necessary, quote the error number to your customer service specialist.

EN

<i>Error</i>	<i>Description</i>	<i>Cause/remedy</i>
01	Safety shut-off	An object has been placed on the sauna heater. Remove any objects before starting up the sauna heater again. If no safety shut-off is fitted, note point 5.10. on page 21.
02	Overheat cut-out	The maximum temperature of 139 °C has been exceeded above the heater.
04F1	Heater sensor error	Defective heater sensor, poor contact, or short circuit.
05	Foil sensor error	Defective foil sensor, poor contact, or short circuit.
06F2	Bench sensor error	Defective bench sensor, poor contact, or short circuit.
07	Humidity sensor error	Defective humidity sensor, poor contact, or short circuit
08	Foil sensor excess temperature	The maximum foil temperature of 100°C was exceeded.
door	Sauna door open	The sauna control unit is equipped with a door sensor. Close the door or check the connections and settings.

15.2. Low-water display (PRO C3 only)

The sauna control unit features an automatic low-water cut-out feature which is active in combi mode, as long as your combi heater supports it.

If the water tank in the vaporizer is empty, this is indicated by a recurring warning tone and the text "FILL" appears in the additional display 1. The vaporizer switches off at the same time.

- Pour water into the water tank in the vaporizer.
 - ▶ After a short period, the text "FILL" goes out and the vaporizer starts heating up again.

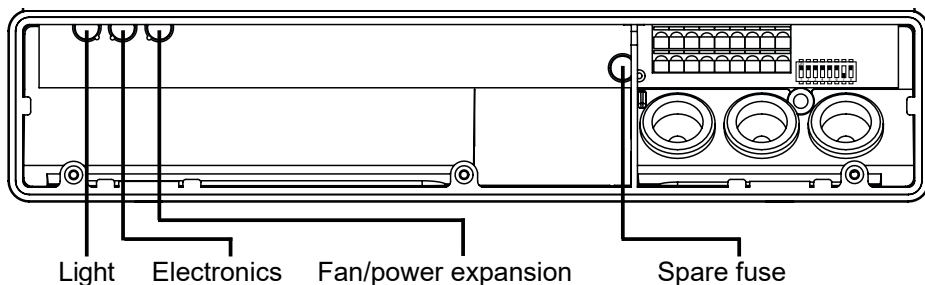
15.3. Fuses

Fuses for light, fan/power expansion and electronics as well as a spare fuse are located in the sauna control unit's connection area.

These are 1A time delay micro fuses.

They can be ordered using the item number PRO-FUSE.

EN



In order to replace the fuse, pull the fuse link straight out and insert the new fuse.

16. Technical data

Ambient conditions

Storage temperature:	-25°C to +70°C
Ambient temperature:	-10°C to +40°C
Air humidity:	max. 95%

Sauna control unit

Dimensions:	307 x 175 x 57 mm
Voltage rating/three-phase 3N:	400 V AC
Frequency:	50 Hz
Power rating/heater:	3 x 3.5 kW
Current rating per phase/heater:	16 A
Switching capacity/vaporizer:	3.5 kW
Switched current/vaporizer:	16 A
Switching capacity/additional output (dimmmable)*	500 W
Switching capacity/additional output (switchable)*	3.5 W
Switched current/additional output:	16 A
Status output:	24 V/200 mA
Rated voltage:	230 V
Protection class (protected against splashing water):	IPX4
Connection to the mains supply as fixed wiring (fixed connection)	

EN

Light

Power rating:	100 W
Fuse:	1A T

Fan

Power rating:	100 W
Fuse:	1A T

Setting ranges

Temperature:	30°C to 110°C
Humidity:	0 % to 100 %

The maximum humidity that can be set depends on the temperature of the sauna. The higher the sauna temperature, the lower the maximum humidity level which can be set.

* The additional output has no excess temperature fuse. For this reason, only intrinsically safe devices should be operated using the additional output.

Thermal safety

Heater sensor with overheat cut-out (139°C cut-out temperature)

Adjustable automatic heating period (6 h, 12 h, 18 h, 24 h)*

Optional single-sensor mode or two-sensor mode

Connection cables

Power supply cable: min. $5 \times 2.5 \text{ mm}^2$

Heater supply cable (temperature-resistant up to 150°C): min. 2.5 mm^2

Sensor cables (temperature-resistant up to 150°C): min. 0.5 mm^2

Light cable: min. 1.5 mm^2

Fan cable: min. 1.5 mm^2

Harvia PRO C



Saunasteuerung

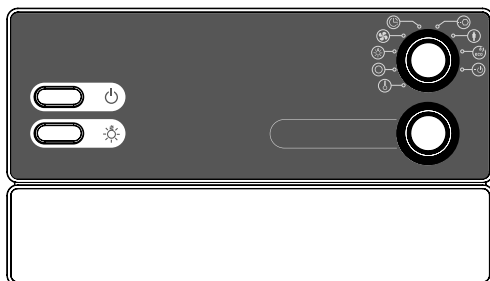
Gebrauchs- und Montageanweisung

Let's sauna.

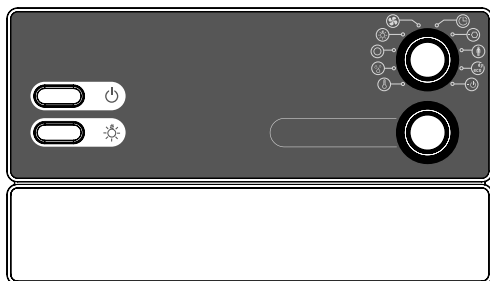
Art.-Nr.

PRO-C2 1-015-448

PRO-C3 1-015-451



PRO-C2



PRO-C3



DE

Inhaltsverzeichnis

1. Zu dieser Anleitung	5
2. Wichtige Hinweise zu Ihrer Sicherheit	6
2.1. Bestimmungsgemäßer Gebrauch	6
2.2. Sicherheitshinweise für den Monteur	7
2.3. Sicherheitshinweise für den Anwender	8
3. Produktbeschreibung	9
3.1. Lieferumfang	9
3.2. Optionales Zubehör	9
3.3. Produktfunktionen	9
3.4. Sauna-Betriebsarten	11
3.5. Fühler-Betriebsarten	11
4. Montage	13
4.1. Saunasteuerung montieren	13
4.2. Ofenfühler F1 mit Übertemperatur-Sicherung montieren	15
4.3. Bankfühler F2 (optional) montieren	16
4.4. Feuchte-Temperaturfühler FTS2 (optional, nur PRO C3) montieren	16
4.5. Folien-Fühler (optional) montieren	16
5. Elektrischer Anschluss	17
5.1. Versorgungsleitung, Ofen und Verdampfer anschließen	18
5.2. Licht anschließen	18
5.3. Lüfter (optional) anschließen	18
5.4. Zusatzausgang (optional) anschließen	19
5.5. Leistungserweiterung (optional) anschließen	19
5.6. Ofenfühler F1 anschließen	19
5.7. Bankfühler F2 (optional) anschließen	20
5.8. Feuchte-Temperaturfühler FTS2 anschließen (optional, nur PRO C3)	20

5.9.	Folienfühler (optional) anschließen.....	20
5.10.	Sicherheitsabschaltung / Türsensor anschließen.....	21
5.11.	Fernstart.....	21
5.12.	Statusausgang.....	21
5.13.	Installation abschließen.....	21
6.	Prüfungen durchführen.....	22
7.	Anschlussplan.....	23
8.	Inbetriebnahme.....	24
8.1.	Einstellung der Funktionswahlschalter.....	24
8.2.	Einstellungen im Technikermenü.....	26
9.	Bedienelemente.....	31
9.1.	Bezeichnung der Bedienelemente.....	31
9.2.	Der Funktions-Wähler.....	31
9.3.	Der Intensitäts-Wähler.....	32
10.	Bedienung.....	32
10.1.	Licht einschalten.....	32
10.2.	Saunasteuerung einschalten.....	32
10.3.	Sauna-Betrieb starten.....	33
10.4.	Kombi-Betrieb starten (nur PRO C3).....	33
10.5.	Zusatzausgang starten.....	34
10.6.	Licht einschalten.....	36
10.7.	Lüfter starten.....	37
10.8.	Vorwahlzeit einstellen.....	37
10.9.	Vorwahlzeit-Funktion abbrechen.....	38
10.10.	Laufzeit einstellen.....	38
10.11.	Standby für Fernwirken aktivieren.....	38

10.12. Soll-Werte ändern.....	40
10.13. Nachtrockenprogramm abrechnen.....	40
10.14. Saunasteuerung ausschalten.....	40

11. Benutzerprogramme..... **41**

11.1. Voreingestellte Benutzerprogramme.....	41
11.2. Eigene Benutzerprogramme erstellen.....	41

12. Die Eco-Funktion..... **42**

13. Reinigung und Wartung..... **43**

13.1. Reinigung.....	43
13.2. Wartung.....	43

DE

14. Entsorgung..... **43**

15. Problemlösung..... **44**

15.1. Fehlermeldungen.....	44
15.2. Wassermangelanzeige (nur PRO C3).....	45
15.3. Sicherungen.....	45

16. Technische Daten..... **46**

1. Zu dieser Anleitung

Lesen Sie diese Montage- und Gebrauchsanweisung gut durch und bewahren Sie sie in der Nähe der Saunasteuerung auf. So können Sie jederzeit Informationen zu Ihrer Sicherheit und zur Bedienung nachlesen.



Sie finden diese Montage- und Gebrauchsanweisung auch im Downloadbereich unserer Webseite auf www.mediabank.harvia.com

Symbole in Warnhinweisen

In dieser Montage- und Gebrauchsanweisung ist vor Tätigkeiten, von denen eine Gefahr ausgeht, ein Warnhinweis angebracht. Befolgen Sie diese Warnhinweise unbedingt. So vermeiden Sie Sachschäden und Verletzungen, die im schlimmsten Fall sogar tödlich sein können.

In den Warnhinweisen werden Signalwörter verwendet, die folgende Bedeutungen haben:



GEFAHR!

Wenn Sie diesen Warnhinweis nicht beachten, sind Tod oder schwere Verletzungen die Folge.



WARNUNG!

Wenn Sie diesen Warnhinweis nicht beachten, können Tod oder schwere Verletzungen die Folge sein.



VORSICHT!

Wenn Sie diesen Warnhinweis nicht befolgen, können leichte Verletzungen die Folge sein.

ACHTUNG!

Dieses Signalwort warnt Sie vor Sachschäden.

Andere Symbole



Dieses Symbol kennzeichnet Tipps und nützliche Hinweise.

2. Wichtige Hinweise zu Ihrer Sicherheit

Die Saunasteuerung PRO C2 / PRO C3 ist nach anerkannten sicherheitstechnischen Regeln gebaut. Dennoch können bei der Verwendung Gefahren entstehen. Befolgen Sie deshalb die folgenden Sicherheitshinweise und die speziellen Warnhinweise in den einzelnen Kapiteln. Beachten Sie auch die Sicherheitshinweise der angeschlossenen Geräte.

2.1. Bestimmungsgemäßer Gebrauch

Die Saunasteuerung PRO C2 / PRO C3 dient ausschließlich zum Steuern und Regeln der Funktionen gemäß den technischen Daten.

DE

Die Saunasteuerung PRO C2 / PRO C3 darf nur zum Steuern und Regeln eines Saunaofens, der die Abdeckprüfung nach Absatz 19.101 der EN 60335-2-53 besteht, verwendet werden. Erfüllt der Ofen diese Voraussetzung nicht, muss eine entsprechende Sicherheitsvorkehrung getroffen werden (z. Bsp.: Sicherheitsabschaltung / Türöffner, siehe **5.10** auf Seite **21**).

Die Saunasteuerung PRO C2 / PRO C3 darf nur zum Steuern und Regeln von 3 Heizkreisen mit maximal 3,5 kW Heizleistung pro Heizkreis eingesetzt werden. Die maximale Leistung des Zusatzausgangs beträgt 3,5 kW. Die maximale Verdampferleistung (nur bei PRO C3) beträgt 3,5 kW.

Jeder darüber hinausgehende Gebrauch gilt als nicht bestimmungsgemäß. Nicht bestimmungsgemäßer Gebrauch kann zur Beschädigung des Produkts, zu schweren Verletzungen oder Tod führen.

2.2. Sicherheitshinweise für den Monteur

- Die Montage darf nur durch eine Elektrofachkraft oder eine vergleichsweise qualifizierte Person ausgeführt werden.
- Arbeiten an der Saunasteuerung dürfen nur im spannungsfreien Zustand durchgeführt werden.
- Es ist bauseits eine allpolige Trennvorrichtung mit voller Abschaltung entsprechend der Überspannungskategorie III vorzusehen.
- Die Saunasteuerung ist außerhalb der Saunakabine in ca. 1,70 m Höhe oder gemäß den Empfehlungen des Kabinenherstellers zu montieren. Die Umgebungstemperatur muss im Bereich von -10 °C und 40 °C liegen.
- Der Ofenfühler ist so anzubringen, dass er nicht durch einströmende Luft beeinflusst wird.
- Die Ofen-Zuleitung muss einen Querschnitt von mindestens 2,5 mm² aufweisen und bis 150 °C temperaturbeständig sein.
- Beachten Sie auch die örtlichen Bestimmungen am Aufstellort.
- Bei Problemen, die in den Montageanweisungen nicht ausführlich genug behandelt werden, wenden Sie sich zu Ihrer eigenen Sicherheit an Ihren Lieferanten.

2.3. Sicherheitshinweise für den Anwender

- Die Saunasteuerung darf nicht von Kindern unter 8 Jahren verwendet werden.
- Die Saunasteuerung darf von Kindern über 8 Jahren, von Personen mit verringerten psychischen, sensorischen oder mentalen Fähigkeiten und von Personen mit Mangel an Erfahrung und Wissen unter folgenden Bedingungen verwendet werden:
 - wenn sie beaufsichtigt werden
 - wenn ihnen die sichere Verwendung gezeigt wurde und sie die Gefahren, die entstehen können, verstehen.
- Kinder dürfen nicht mit der Saunasteuerung spielen.
- Kinder unter 14 Jahren dürfen die Saunasteuerung nur reinigen, wenn sie beaufsichtigt werden.
- Wenn Sie unter dem Einfluss von Alkohol, Medikamenten oder Drogen stehen, verzichten Sie aus gesundheitlichen Gründen auf das Saunabad.
- Stellen Sie sicher, dass keine brennbaren Gegenstände auf dem Saunaofen liegen, bevor Sie die Saunasteuerung einschalten.
- Stellen Sie sicher, dass keine brennbaren Gegenstände auf dem Saunaofen liegen, bevor Sie die Vorwahlzeitfunktion oder den Standby-Modus für den Fernstart aktivieren.
- Stellen Sie sicher, dass keine brennbaren Gegenstände auf oder vor dem Infrarot-Strahler liegen, bevor Sie die Saunasteuerung einschalten.
- Stellen Sie sicher, dass keine brennbaren Gegenstände auf oder vor dem Infrarot-Strahler liegen, bevor Sie die Vorwahlzeitfunktion oder den Standby-Modus für den Fernstart aktivieren.
- Bei Problemen, die in der Gebrauchsanweisung nicht ausführlich genug behandelt werden, wenden Sie sich zu Ihrer eigenen Sicherheit an Ihren Lieferanten.

3. Produktbeschreibung

3.1. Lieferumfang

- Saunasteuerung
- Ofenfühler mit integrierter Übertemperatur-Sicherung
- Montagematerial

3.2. Optionales Zubehör

- Bankfühler (1-009-231 / O-F2)
- Feuchte-Temperaturfühler (1-010-081 / O-FTS2)
- Folienfühler (1-014-445 / P-ISX-FF)
- Leistungserweiterung (1-008-779 / O-S2-18, 1-009-280 / O-S2-30)
- Abschaltwippe (SFE-xxxxx)
- Türsensor Home (1-052-723 / SAB00103)
- MySentio Wifi (1-053-313 / S-WIFI01)
- MySentio Remote (1-053-314 / S-WIFI02)

DE

3.3. Produktfunktionen

Die Saunasteuerung Pro C2 verfügt über folgende Funktionen:

- Regeln von Saunaöfen mit einer Heizleistung bis 10,5 kW im Temperaturbereich von 30 °C bis 110 °C.
- Mit einer Leistungserweiterung kann die maximale Schaltleistung von 10,5 kW auf 18 kW oder 30 kW erhöht werden.
- Wahlweise Dimmen oder Schalten eines Kabinenlichtes (bis 100 W)
- Wahlweise Dimmen oder Schalten eines Lüfters (bis 100 W)
- Fernstartfunktion
- Türüberwachung
- Statusausgang
- Vorwahlzeitfunktion (bis 24 Stunden)
- Automatische Heizzeitbegrenzung

Die Saunasteuerung schaltet sich nach Ablauf der maximalen Heizzeit aus Sicherheitsgründen automatisch ab. Die maximale Heizzeit kann auf 6 h, 12 h, 18 h oder 24 h eingestellt werden.

- **Zusatzausgang**
Wahlweise Dimmen (bis 500 W), Schalten (bis 3,5 kW) oder Regeln der Kabinentemperatur über den Zusatzausgang.

Zusatzausgang hat keine Übertemperatursicherung. Deshalb dürfen am Zusatzausgang nur eigensichere Geräte betrieben werden.

- Wenn an den Zusatzausgang Infrarotstrahler angeschlossen werden, müssen diese über eine Übertemperatursicherung verfügen. Wir empfehlen die Verwendung folgender Infrarot-Strahler:
 - DIR-350-R, WIR-350-R, DIR-500-R, WIR-500-R, DIR-750-R, WIR-750-R, DIR-1300-R, WIR-1300-R
 - ECO-350-R, ECO-350-G, ECO-500-R, ECO-500-G, ECO-750-R
- Wenn an den Zusatzausgang eine der folgenden Infrarot-Wärmeplatten angeschlossen wird, muss der Folienfühler P-ISX-FF verwendet werden und im Technikermenü aktiviert werden (siehe **8.2. Einstellungen im Technikermenü** auf Seite **26**):
 - IR-WP-100, IR-WP-175, IR-WP-390, IR-WP-510
 - IR-WPHL-100, IR-WPHL-175, IR-WPHL-390, IR-WPHL-510

- **Benutzerprogramme**
Mit Hilfe der Benutzerprogramme können bevorzugte Sauna-Einstellungen gespeichert und wieder abgerufen werden. Es stehen 5 voreingestellte Benutzerprogramme zur Verfügung, die nach den Vorstellungen der Benutzer abgeändert werden können.
- **Nachtrockenprogramm**
Nach dem Kombi-Betrieb wird automatisch das Nachtrockenprogramm gestartet, um Schimmel- und Fäulnisbildung in der Saunakabine zu verhindern. Dabei wird die Saunakabine bei eingeschaltetem Lüfter für 30 Minuten auf 80 °C aufgeheizt.
- **Übertemperatur-Sicherung**
Die Übertemperatur-Sicherung befindet sich im Fühlergehäuse des Ofenfühlers. Wenn der Saunaofen durch einen Defekt nach Erreichen der Wunschtemperatur weiterheizt, schaltet die Übertemperatur-Sicherung bei ca. 139 °C den Saunaofen automatisch ab.

PRO C3

Funktionsumfang wie PRO C2, jedoch zusätzlich:

- Regeln von Kombi-Saunaöfen mit einer Heizleistung bis 10,5 kW und einer Verdampferleistung bis 3,5 kW im Temperaturbereich von 30 °C bis 110 °C und einem Feuchtebereich von 5 bis 100 %.

- **Nachtrockenprogramm**
Nach dem Kombi-Betrieb wird automatisch das Nachtrockenprogramm gestartet, um Schimmel- und Fäulnisbildung in der Saunakabine zu verhindern. Dabei wird die Saunakabine bei eingeschaltetem Lüfter auf 80 °C aufgeheizt. Die Dauer kann von OFF - 60 Minuten gewählt werden.

3.4. Sauna-Betriebsarten

Die Saunasteuerung PRO B2 ermöglicht den Saunabetrieb. Die Saunasteuerung Pro C3 ermöglicht zwei Betriebsarten, Sauna- und Kombi-Betrieb.

Sauna-Betrieb

Im Sauna-Betrieb steht trockene Wärme zur Verfügung. Die Temperatur in der Kabine ist hoch (80 bis 100 °C). Die Feuchtwerte sind mit maximal 10 % gering.

Kombi-Betrieb

Im Kombi-Betrieb ist neben dem Saunaofen auch der Verdampfer im Betrieb. Die Temperatur in der Saunakabine ist niedriger (ca. 40 bis 65 °C) als im Sauna-Betrieb, dafür ist die relative Luftfeuchte mit 35 % bis ungefähr 70 % wesentlich höher. Dabei ist die maximal einstellbare Soll-Feuchte von der Saunatemperatur abhängig. Je höher die Saunatemperatur, desto niedriger ist der maximal einstellbare Feuchtwert (siehe **Kennlinie auf Seite 12**)

DE

3.5. Fühler-Betriebsarten

Die Saunasteuerung kann mit einem oder mit zwei Fühlern betrieben werden. Als zweiter Fühler kann ein Temperaturfühler (Bankfühler, F2) oder ein Feuchte-Temperaturfühler (FTS2) verwendet werden.

Ein-Fühlerbetrieb (F1)

Der Ein-Fühlerbetrieb muss im Technikermenü aktiviert werden (siehe **8.2. Einstellungen im Technikermenü** auf Seite 26).

Im Ein-Fühlerbetrieb wird die Saunasteuerung nur mit dem Ofenfühler mit Über-temperatur-Sicherung (F1) betrieben. Dieser ist im Lieferumfang enthalten.

Im Ein-Fühlerbetrieb zeigt die Saunasteuerung standardmäßig nur die Soll-Temperatur an. Die Ist-Temperatur wird nicht angezeigt. Wenn die Saunasteuerung im Ein-Fühlerbetrieb die Temperatur über dem Ofen (F1-Fühler) als Ist-Temperatur anzeigen soll, muss dies bei der Inbetriebnahme aktiviert werden (siehe **8.2. Einstellungen im Technikermenü** auf Seite 26).

Der maximal einstellbare Feuchtwert richtet sich im Ein-Fühlerbetrieb nach der Temperatur über dem Ofen und die Feuchte wird getaktet. Im Display der Saunasteuerung wird nur der Sollwert für die Feuchte (in % relative Luftfeuchtigkeit) angezeigt. Die tatsächliche Feuchte in der Saunakabine ist bei getakteter Feuchte abhängig von der Kabinengröße und der Verdampferleistung und kann vom eingestellten Sollwert abweichen.

Zweifühler-Betrieb mit Bankfühler (F2)

Der Zwei-Fühlerbetrieb ist ab Werk aktiviert.

Im Zwei-Fühlerbetrieb mit Bankfühler wird ein zweiter Temperaturfühler (Bankfühler) oberhalb der hinteren Saunabank montiert. Die Saunasteuerung zeigt als Ist-Temperatur jene Temperatur an, die vom Bankfühler gemessen wird.

Im Zwei-Fühlerbetrieb mit Bankfühler wird die Feuchte getaktet. Im Display der Saunasteuerung wird nur der Sollwert für die Feuchte (in % relative Luftfeuchtigkeit) angezeigt. Die tatsächliche Feuchte in der Saunakabine ist bei getakteter Feuchte abhängig von der Kabinengröße und der Verdampferleistung und kann vom eingestellten Sollwert abweichen.

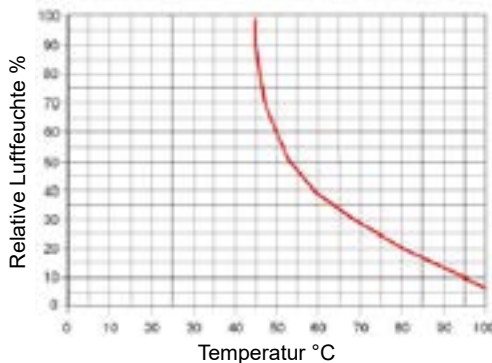
DE

Zwei-Fühlerbetrieb mit Feuchte-Temperaturfühler (FTS2)

Der Zwei-Fühlerbetrieb ist ab Werk aktiviert.

Wenn im Zwei-Fühlerbetrieb ein Feuchte-Temperaturfühler verwendet wird, zeigt die Saunasteuerung als Ist-Temperatur jene Temperatur an, die vom Feuchte-Temperaturfühler gemessen wird.

Im Zwei-Fühlerbetrieb mit Feuchte-Temperaturfühler wird der Verdampfer entsprechend der in der Kabine gemessenen Feuchte geregelt. Im Display der Saunasteuerung wird die tatsächliche Feuchte in der Saunakabine (in % relative Luftfeuchtigkeit) angezeigt.



4. Montage

4.1. Saunasteuerung montieren

ACHTUNG!**Schäden am Gerät**

Die Saunasteuerung ist spritzwassergeschützt, trotzdem kann direkter Kontakt mit Wasser das Gerät beschädigen.

- Montieren Sie die Saunasteuerung an einem trockenen Ort, an dem eine maximale Luftfeuchte von 95% nicht überschritten wird.

ACHTUNG!**Störquellen beeinträchtigen die Signalübertragung**

- Verlegen Sie alle Fühlerleitungen getrennt zu anderen Netzleitungen und Steuerleitungen.
- Schützen Sie einfach isolierte Leitungen durch ein Rohr (Doppelisolation).

DE

Beachten Sie bei der Montage der Saunasteuerung folgende Punkte:

- Die Saunasteuerung ist außerhalb der Saunakabine oder gemäß den Empfehlungen des Kabinenherstellers zu montieren.
- Die Umgebungstemperatur muss im Bereich von -10 °C und $+40\text{ °C}$ liegen.
- Alle Fühler dürfen nur mit den beiliegenden Fühlerleitungen, die bis 150 °C temperaturbeständig sind, angeschlossen werden.



Die Fühlerleitungen dürfen unter folgenden Bedingungen verlängert werden:

- Verwendung einer bis 150 °C beständigen Silikonleitung.
 - Der Mindestquerschnitt der Leitung beträgt $0,5\text{ mm}^2$.
 - Die Länge der Ofenfühler-Leitungen darf 10 m NICHT überschreiten.
-

Zur Montage der Saunasteuerung führen Sie folgende Schritte durch:

1. Drehen Sie zwei Kreuzschlitzschrauben (16 mm) in ca. 1,70 m Höhe bis zu einem Abstand von 7 mm in die Saunawand ein. Die beiden Schrauben müssen einen Abstand von 145 mm zueinander haben (siehe **Abb.1**).

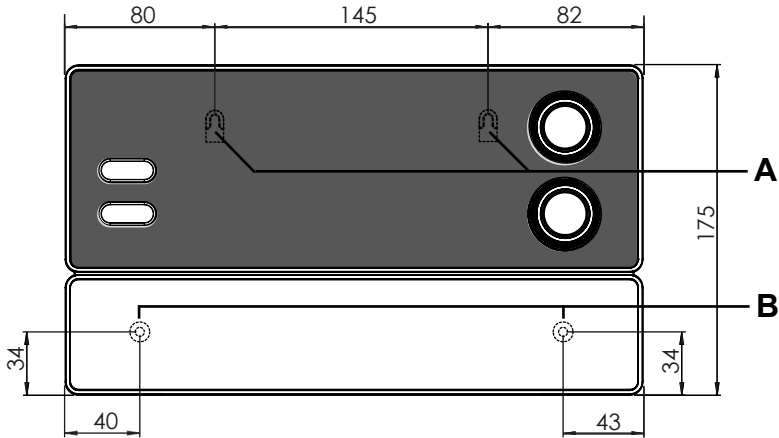


Abb.1 Position der Aufhängevorrichtung und der Montageöffnungen (Maße in mm)

2. Drücken Sie die Schnappverschlüsse **C** mit einem Schraubendreher leicht ein und nehmen Sie den Gehäusedeckel ab (siehe **Abb.2**).
3. Hängen Sie die Saunasteuerung mit Hilfe der Aufhängevorrichtung **A** auf die montierten Kreuzschlitzschrauben (siehe **Abb.1**).
4. Drehen Sie zwei Kreuzschlitzschrauben (16 mm) in die unteren Befestigungsöffnungen **B** ein (siehe **Abb.1**).

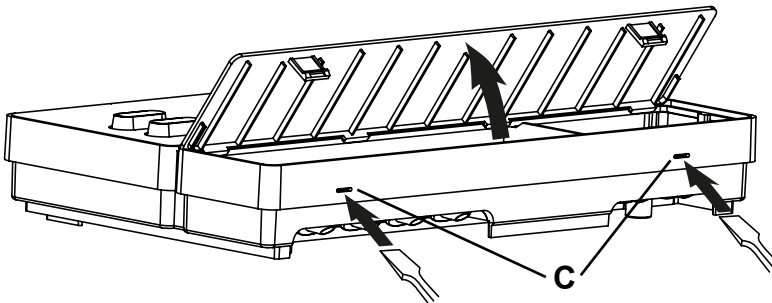


Abb.2 Abnahme des Gehäusedeckels

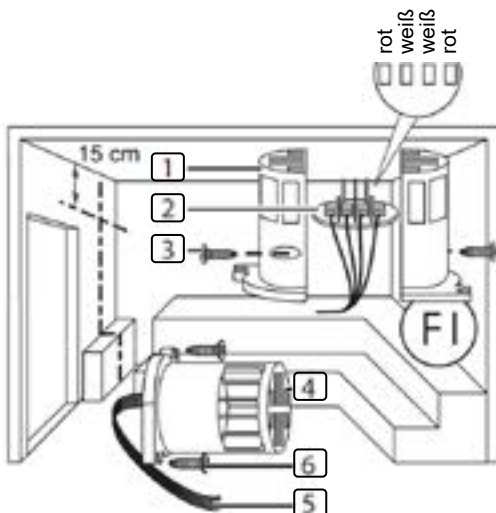
4.2. Ofenfühler F1 mit Übertemperatur-Sicherung montieren

Beachten Sie bei der Montage des Ofenfühlers folgende Punkte:

- Der Ofenfühler ist an der Ofen-Rückwand oberhalb der Mitte des Saunaofens zu montieren. Dabei ist ein Abstand von zirka 15 cm zur Kabinendecke einzuhalten.
- Der Ofenfühler ist so anzubringen, dass er nicht durch einströmende Luft beeinflusst wird.

Zur Montage des Ofenfühlers führen Sie folgende Schritte durch (siehe **Abb.3**):

1. Verlegen Sie die beiden 2-poligen Ofenfühler-Leitungen in der Wand der Saunakabine zum Montageort des Ofenfühlers und fixieren Sie die Ofenfühler-Leitungen mit Leitungsschellen.
2. Ziehen Sie die beiden Halbschalen 1 des Ofenfühlers auseinander.
3. Klemmen Sie die vier Anschlüsse der Ofenfühler-Leitung 5 gemäß der **Abb.3** an.
4. Legen Sie die Anschlussplatte 2 quer (wie in **Abb.3** gezeigt) in die Halbschalen des Ofenfühlers.
5. Schließen Sie die Halbschalen, verschrauben Sie diese mit den beiden Kreuzschlitzschrauben 3 (9 mm) und prüfen Sie, ob der Ofenfühler fest geschlossen ist.
6. Montieren Sie den Ofenfühler an der Ofen-Rückwand mit den beiden beiliegenden Holzschrauben 6 (16 mm).



- 1 Halbschalen des Ofenfühlers
- 2 Anschlussplatte
- 3 Kreuzschlitzschrauben (9 mm)
- 4 Ofenfühler
- 5 Ofenfühler-Leitungen
- 6 Holzschrauben (16 mm)

Abb.3 Montage des Ofenfühlers

4.3. Bankfühler F2 (optional) montieren

Der Bankfühler ist an der Kabinenwand oberhalb der hinteren Sitzbank zu montieren. Dabei ist ein Abstand von zirka 15 cm zur Kabinendecke einzuhalten.

Zur Montage des Bankfühlers führen Sie folgende Schritte durch:

1. Verlegen Sie die 2-polige Bankfühler-Leitung in der Wand der Saunakabine zum Montageort des Bankfühlers und fixieren Sie die Bankfühler-Leitungen mit Leitungsschellen.
2. Ziehen Sie die beiden Halbschalen des Bankfühlers auseinander.
3. Klemmen Sie die beiden Anschlüsse der Bankfühler-Leitung an die beiden mittleren Klemmen der Anschlussplatte an.
4. Legen Sie die Anschlussplatte quer in die Halbschalen des Bankfühlers.
5. Schließen Sie die Halbschalen und verschrauben Sie diese mit den beiden Kreuzschlitzschrauben (9 mm).
6. Prüfen Sie, ob der Bankfühler fest geschlossen ist.
7. Montieren Sie den Bankfühler an der Kabinenwand mit den beiden beiliegenden Holzschrauben (16 mm). Halten Sie dabei einen Abstand von 15 cm zur Kabinendecke ein.

DE

4.4. Feuchte-Temperaturfühler FTS2 (optional, nur PRO C3) montieren

Der Feuchte-Temperaturfühler ist an der Kabinenwand oberhalb der hinteren Sitzbank zu montieren. Dabei ist ein Abstand von zirka 15 cm zur Kabinendecke einzuhalten.

Zur Montage des Feuchte-Temperaturfühlers führen Sie folgende Schritte durch:

1. Verlegen Sie die 5-polige Fühlerleitung in der Wand der Saunakabine zum Montageort des Feuchte-Temperaturfühlers und fixieren Sie die Fühler-Leitungen mit Leitungsschellen.
2. Montieren Sie den Feuchte-Temperaturfühler an der Kabinenwand mit den beiden beiliegenden Holzschrauben (16 mm). Halten Sie dabei einen Abstand von 15 cm zur Kabinendecke ein.

4.5. Folien-Fühler (optional) montieren

Wenn an den Zusatzausgang eine Infrarot-Wärmeplatten angeschlossen wird, muss der Folienfühler P-ISX-FF verwendet werden.

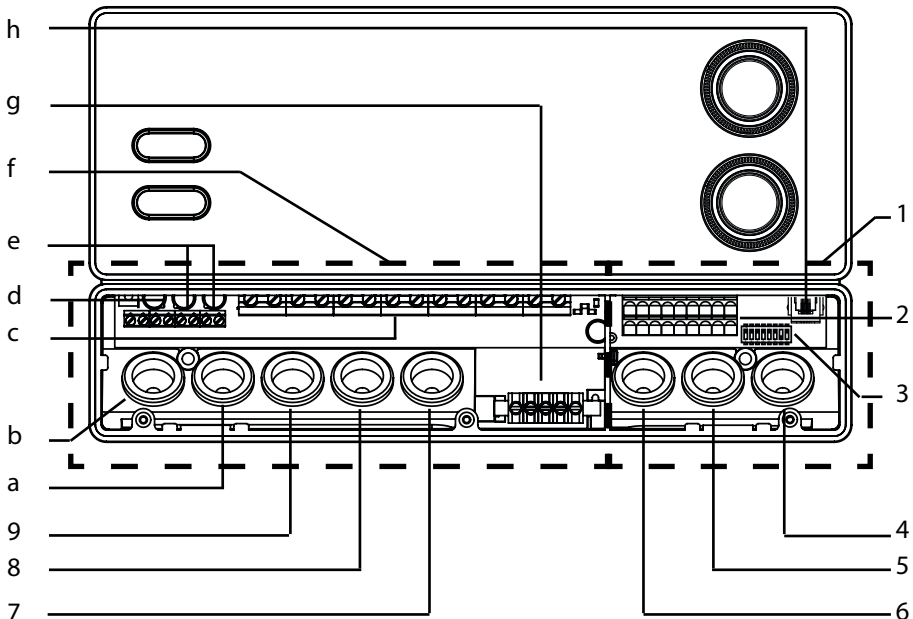
- Beachten Sie zur Montage des Folien-Fühlers die Bedienungsanleitung der Infrarot-Wärmeplatten.
- Die Verwendung eines Folienfühlers muss im Technikermenü aktiviert werden (siehe **8.2. Einstellungen im Technikermenü** auf Seite 26).

5. Elektrischer Anschluss

ACHTUNG!

Schäden am Gerät

- Die Saunasteuerung darf nur zum Steuern und Regeln von 3 Heizkreisen mit einer Heizleistung von max. 3,5 kW pro Heizkreis eingesetzt werden. Die maximale Verdampferleistung (nur PRO C3) beträgt 3,5 kW. Die maximale Leistung des Zusatzausgangs beträgt 3,5 kW.



- | | |
|--|--|
| 1 Anschlussbereich für Kleinspannung | 8 Kabeldurchführung für Ofenleitung |
| 2 Klemmleiste für Sicherheitsabschaltung, Fernstart, Statusausgang und Fühlerleitungen | 9 Kabeldurchführung für Versorgungsleitung |
| 3 Funktionswahlschalter | a Kabeldurchführung für Leistungserweiterung |
| 4 Kabeldurchführung für F2-, FTS2- und Folien-Fühler | b Kabeldurchführung für Licht und Lüfter |
| 5 Kabeldurchführung für F1-Fühler und Statusausgang | c Klemmleiste für Ofen-, Verdampfer-, Versorgungsleitung und Zusatzgerät |
| 6 Kabeldurchführung für Sicherheitsabschaltung und Fernstart | d Klemmleiste für Licht und Lüfter |
| 7 Kabeldurchführung für Verdampferleitung und Zusatzausgang | e Klemmleiste für Leistungserweiterung |
| | f Anschlussbereich für 230 V / 400 V |
| | g Erdungsschiene |
| | h RJ45-Buchse für RS-485 und MySento Wifi |

Beachten Sie beim elektrischen Anschluss der Saunasteuerung folgende Punkte:

- Die Montage darf nur durch eine Elektrofachkraft oder eine vergleichsweise qualifizierte Person ausgeführt werden.



Bitte beachten Sie, dass im Falle eines Garantieanspruches eine Kopie der Rechnung des ausführenden Elektrofachbetriebes vorzulegen ist.

- Arbeiten an der Saunasteuerung dürfen nur im spannungsfreien Zustand durchgeführt werden.
- Die elektrische Versorgung muss als Festanschluss erfolgen.
- Es ist bauseits eine allpolige Trennvorrichtung mit voller Abschaltung entsprechend der Überspannungskategorie III vorzusehen.
- Beachten Sie den Anschlussplan (**Abb.4**) auf Seite **23**.

5.1. Versorgungsleitung, Ofen und Verdampfer anschließen

DE

1. Führen Sie die Versorgungs-, die Ofen- und die Verdampferleitung (nur PRO C3) durch die Kabeldurchführungen 9, 8, 7 in den Anschlussbereich für 230 V / 400 V f.
2. Schließen Sie die Anschlussleitungen gemäß dem Anschlussplan an die Klemmleiste c an. Beachten Sie dabei die Bedienungsanleitung der jeweiligen Geräte.
3. Wenn der Verdampfer nicht über eine automatische Wassermangel-Anzeige verfügt, führen Sie zusätzlich folgenden Schritt durch:
 - Verbinden Sie mit der beiliegenden Drahtbrücke die Klemme "V1" mit der Klemme "Wm".

5.2. Licht anschließen

1. Führen Sie die Lichtleitung durch die Kabeldurchführung b in den Anschlussbereich für 230 V / 400 V f.
2. Schließen Sie die Lichtleitung gemäß dem Anschlussplan an die Klemmleiste d an. Beachten Sie dabei die Bedienungsanleitung des jeweiligen Geräts.

5.3. Lüfter (optional) anschließen

1. Führen Sie die Lüfterleitung durch die Kabeldurchführung b in den Anschlussbereich für 230 V / 400 V f.
2. Schließen Sie die Lüfterleitung gemäß dem Anschlussplan an die Klemmleiste d an. Beachten Sie dabei die Bedienungsanleitung des jeweiligen Geräts.

5.4. Zusatzausgang (optional) anschließen

Der Zusatzausgang kann z.B. für Infrarot-Strahler oder Infrarot-Wärmeplatten genützt werden.

1. Führen Sie die Anschlussleitung des Zusatzgeräts durch die Kabeldurchführungen 7 in den Anschlussbereich für 230 V / 400 V f.
2. Schließen Sie die Anschlussleitungen gemäß dem Anschlussplan an die Klemmleiste c an. Beachten Sie dabei die Bedienungsanleitung und die Sicherheitshinweise des jeweiligen Geräts.



WARNUNG!

Brandgefahr

Der Zusatzausgang hat keine Übertemperatursicherung. Deshalb dürfen am Zusatzausgang nur eigensichere Geräte betrieben werden.

- Wenn an den Zusatzausgang Infrarotstrahler angeschlossen werden, müssen diese über eine Übertemperatursicherung verfügen.
- Wenn an den Zusatzausgang Infrarot-Wärmeplatten angeschlossen werden, muss der Folienfühler P-ISX-FF verwendet werden und im Techniker Menü aktiviert werden (siehe **8.2. Einstellungen im Techniker Menü** auf Seite **26**).

DE

5.5. Leistungserweiterung (optional) anschließen

1. Führen Sie die Leitung der Leistungserweiterung durch die Kabeldurchführung a in den Anschlussbereich für 230 V / 400 V f.
2. Schließen Sie die Leitung der Leistungserweiterung gemäß dem Anschlussplan an die Klemmleiste e an. Verwenden Sie dabei die Klemme "ST1" für den Sicherheitskreis und die Klemme "ST2" für den Steuerkreis. Beachten Sie die Bedienungsanleitung des jeweiligen Geräts.

5.6. Ofenfühler F1 anschließen

1. Führen Sie die Ofenfühler-Leitungen durch die Kabeldurchführung 5 in den Anschlussbereich für Kleinspannung 1.
2. Schließen Sie die roten Ofenfühler-Leitungen an die Klemmen mit der Beschriftung "STB" in der Klemmleiste 2 an.
3. Schließen Sie die weißen Ofenfühler-Leitungen an die Klemmen mit der Beschriftung "F1" in der Klemmleiste 2 an.

5.7. Bankfühler F2 (optional) anschließen

1. Führen Sie die Bankfühler-Leitungen durch die Kabeldurchführung 4 in den Anschlussbereich für Kleinspannung 1.
2. Schließen Sie die Bankfühler-Leitungen an die Klemmen mit der Beschriftung "**F2**" in der Klemmleiste 2 an.

5.8. Feuchte-Temperaturfühler FTS2 anschließen (optional, nur PRO C3)

1. Führen Sie die Fühlerleitungen durch die Kabeldurchführung 4 in den Anschlussbereich für Kleinspannung 1.
2. Schließen Sie die Temperaturfühler-Leitungen an die Klemmen mit der Beschriftung "**F2**" in der Klemmleiste 2 an.
 - a. die schwarze Leitung an die rechte Klemme an.
 - b. die braune Leitung an die linke Klemme an.
3. Schließen Sie die Feuchtefühler-Leitungen an die Klemmen mit der Beschriftung "**+ S -**" in der Klemmleiste 2 an.
 - c. die grüne Leitung an Klemme "**+**" an.
 - d. die orange Leitung an Klemme "**S**" an.
 - e. die rote Leitung an Klemme "**-**" an.

DE

5.9. Folienfühler (optional) anschließen

1. Führen Sie die Fühlerleitungen durch die Kabeldurchführung 4 in den Anschlussbereich für Kleinspannung 1.
2. Schließen Sie die Fühlerleitungen die Klemmen mit der Beschriftung "**FF**" in der Klemmleiste 2 an.

5.10. Sicherheitsabschaltung / Türsensor anschließen

Laut EN 60335-2-53 dürfen Saunasteuerungen mit Fernwirken nur zum Steuern und Regeln eines Saunaofens, der die Abdeckprüfung nach Absatz 19.101 besteht, verwendet werden. Alternativ kann eine entsprechende Sicherheitsabschaltung / Türöffner installiert werden. Diese schaltet den Saunaofen ab, wenn Gegenstände (z.B. ein Handtuch) auf dem Saunaofen abgelegt werden oder die Saunatur geöffnet wird.

Zur Montage der Sicherheitsabschaltung führen Sie folgende Schritte durch:

1. Montieren Sie die Sicherheitsabschaltung entsprechend der Bedienungsanleitung des Geräts.
2. Führen Sie die Leitungen der Sicherheitsabschaltung durch die Kabeldurchführung 6 in den Anschlussbereich für Kleinspannung 1.
3. Schließen Sie die Leitungen an die Klemmen mit der Beschriftung "**OSG**" in der Klemmleiste 2 an.



Wird keine Sicherheitsabschaltung montiert, muss eine Drahtbrücke an den Klemmen mit der Beschriftung „**OSG**“ montiert werden.

DE

5.11. Fernstart

Der Anschluss erfolgt über die Klemmen "**S**", "**B**" und "**C**". "**S**" steht für den Sauna-Betrieb und "**C**" für den Verdampfer-Betrieb. "**B**" ist ein +24 V DC Ausgang. Dieser muss über einen Schalter oder einen Aktuator auf die Klemme für die gewünschte Betriebsart geschaltet werden.

5.12. Statusausgang

An der Klemme für den Statusausgang kann jeder Verbraucher angeschlossen werden, der für eine Spannung von 24 Volt DC geeignet ist und nicht mehr als 200 mA Strom bezieht. Achten Sie beim Anschluss auf die richtige Polung. Bei der Verwendung von LEDs muss ein geeigneter Vorwiderstand verwendet werden.

5.13. Installation abschließen

1. Schließen Sie die Schutzleiter der Versorgungsleitung und aller Geräte an die Erdungsschiene g an.
2. Setzen Sie den Gehäusedeckel an den oberen Rand der Anschlussbox.
3. Drücken Sie die Schnappverschlüsse leicht nach innen und schwenken Sie die Gehäuseabdeckung nach unten bis sie hörbar einrastet.

6. Prüfungen durchführen



WARNUNG!

Die folgenden Prüfungen werden bei eingeschalteter Stromversorgung durchgeführt. Es besteht die Gefahr eines Stromschlages.

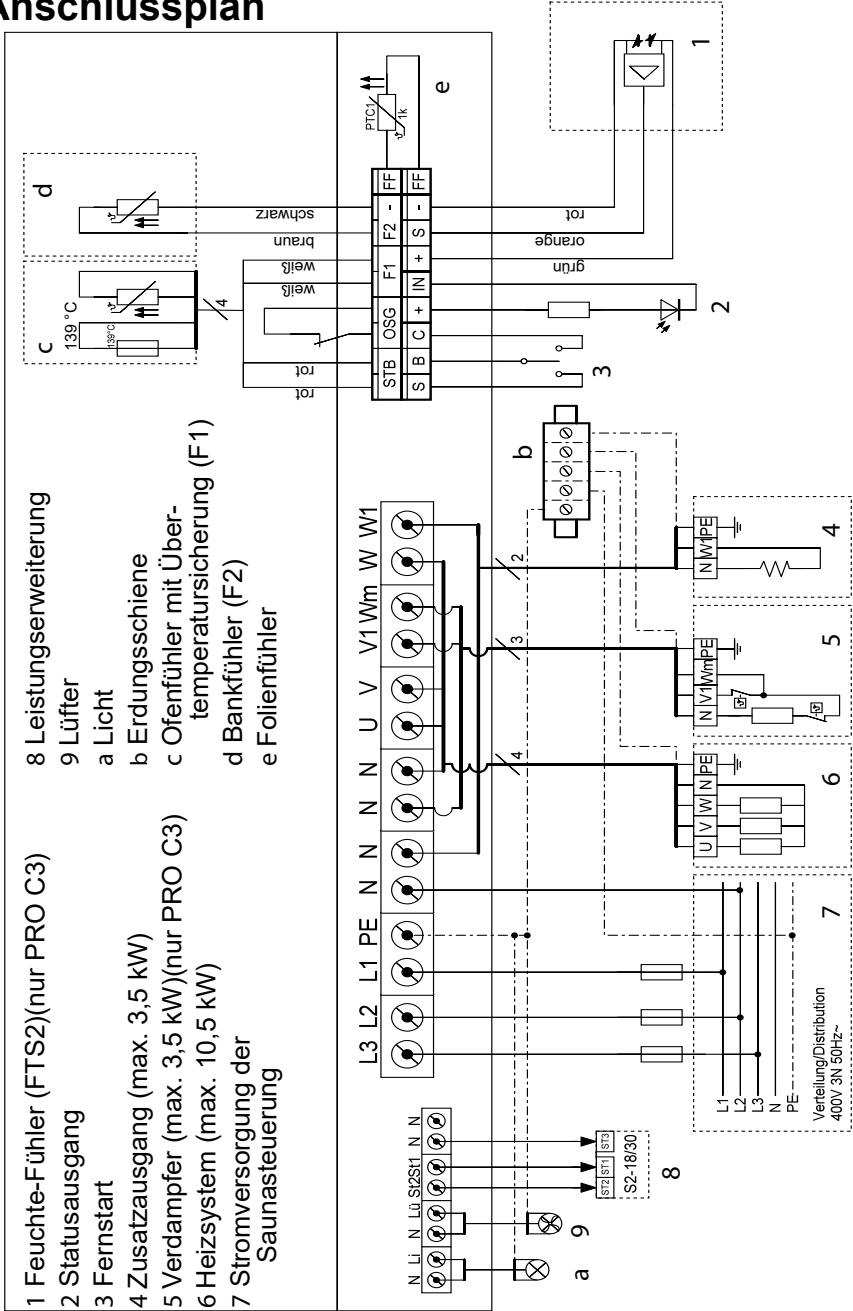
- Berühren Sie NIEMALS spannungsführende Teile.

Die folgenden Prüfungen müssen von einem zugelassenen Elektroinstallateur durchgeführt werden.

1. Prüfen Sie den Kontakt der Erdungsleitungen an der Schutzleiterklemme.
2. Prüfen Sie die Übertemperatur-Sicherung des Ofenfühlers F1.
 - a. Schalten Sie die Saunasteuerung ein.
 - b. Öffnen Sie den Ofenfühler und klemmen Sie eine der beiden roten Ofenfühler-Leitungen ab.
 - ▶ Ein wiederkehrenden Warnton ertönt, im oberen Display wird "Err" angezeigt, im unteren Display "02".
 - ▶ Die Steuerung schaltet den Ofen ab.
 - c. Schalten Sie die Saunasteuerung aus.
 - d. Klemmen Sie die rote Ofenfühler-Leitung wieder an.
 - e. Klemmen Sie nun eine der weißen Ofenfühler-Leitungen ab.
 - f. Schalten Sie die Saunasteuerung ein.
 - ▶ Ein wiederkehrender Warnton ertönt, im oberen Display wird "Err" angezeigt, im unteren Display "04F1".
 - ▶ Die Steuerung schaltet den Ofen ab.
 - g. Schalten Sie die Saunasteuerung aus.
 - h. Klemmen Sie die weiße Ofenfühler-Leitung wieder an.
3. Prüfen Sie die Phasendurchschaltung für den Sauna-Betrieb L1, L2, L3 zu U, V, W.
4. Bei PRO C3: Prüfen Sie die Phasendurchschaltung für Verdampfer-Betrieb L1, L2, L3 zu U, V1, W.
5. Überprüfen Sie die Phasendurchschaltung von L3 auf W1 bei Aktivierung des am Zusatzausgang angeschlossenen Geräts.
6. Überprüfen Sie die maximal zulässige Heizleistung an der Saunasteuerung von 3,5 kW je Phase.
7. Bei optionaler Leistungserweiterung
 - a. Prüfen Sie die Steuerleitungen ST1, ST2 und ST3.
 - b. Überprüfen Sie die maximal zulässige Heizleistung an der Leistungserweiterung S2-18 von 3 kW je Phase.
 - c. Überprüfen Sie die maximal zulässige Heizleistung an der Leistungserweiterung S2-30 von 7 kW je Phase.

7. Anschlussplan

Abb.4 Anschlussplan



8. Inbetriebnahme

8.1. Einstellung der Funktionswahlschalter

Über die Funktionswahlschalter im Anschlussbereich für Kleinspannung können verschiedene Produktfunktionen aktiviert werden. Die Abbildung rechts zeigt die Standardeinstellung der Funktionswahlschalter.

Beachten Sie, dass nach Änderungen die Steuerung für 10 Sek. ausgeschaltet werden muss, um die Einstellungen zu speichern.

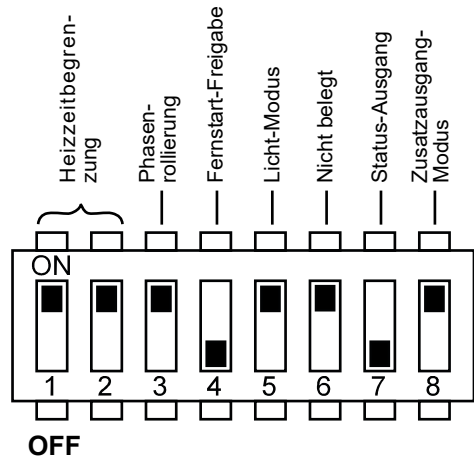


Abb.5 Funktionswahlschalter - Standardeinstellung

Heizezeitbegrenzung einstellen

Die maximale Heizezeit ist standardmäßig auf 6 h eingestellt. Die Saunasteuerung schaltet sich nach Ablauf der maximalen Heizezeit aus Sicherheitsgründen automatisch ab.

Über die Funktionswahlschalter im Anschlussbereich für Kleinspannung kann die maximale Heizedauer auf 12 h, 18 h oder 24 h eingestellt werden. Die dafür erforderlichen Positionen der Funktionswahlschalter finden Sie in der Tabelle rechts.

Funktionswahlschalter	1	2
6 h	ON	ON
12 h	OFF	ON
18 h	ON	OFF
24 h	OFF	OFF



Die EN 60335-2-53 schreibt für private Saunen eine maximale Heizezeitbegrenzung von 6 h vor. Für Saunen in Hotels, Wohnblöcken und ähnlichen Standorten ist eine Heizezeitbegrenzung von maximal 12 h zulässig. Die Erweiterung der Heizezeitbegrenzung auf 18 h oder 24 h ist nur in öffentlichen Saunen gestattet.

DE

Phasenrollierung aktivieren/deaktivieren

Die Phasenrollierung wird mit dem Funktionswahlschalter **3** aktiviert bzw. deaktiviert.

- Standardmäßig befindet sich der Funktionswahlschalter **3** in ON-Position. Die Phasenrollierung ist damit aktiviert.
- Wenn Sie die Phasenrollierung deaktivieren möchten, bringen Sie den Funktionswahlschalter **3** in die OFF-Position.

Fernstart-Freigabe

Mit dem Funktionswahlschalter **4** kann die Funktion des Fernstart-Ausganges ausgewählt werden (beachten Sie EN60335-2-53).

- Standardmäßig befindet sich der Funktionswahlschalter **4** in OFF-Position. Der Fernstart wird mittels „Standby für Fernwirken“ aktiviert.
- Wenn Sie den Fernstart-Ausgang für div. Geräte (wie z.B. Münzer, Fernstart-System, Türüberwachung) freischalten möchten, bringen Sie den Funktionswahlschalter **4** in ON-Position.

Licht-Betriebsmodus einstellen

Das Kabinenlicht ist wahlweise dimmbar oder schaltbar. Die Dimmfunktion wird über den Funktionswahlschalter **5** aktiviert bzw. deaktiviert.

- Standardmäßig befindet sich der Funktionswahlschalter **5** in ON-Position. Die Dimmfunktion ist damit aktiviert.
 - ▶ Um die Dimmkurve zu ändern, beachten Sie den Punkt „**Licht-Dimmkurve ändern**“ auf Seite 29.
- Wenn Sie die Dimmfunktion des Kabinenlichtes deaktivieren möchten, bringen Sie den Funktionswahlschalter **5** in die OFF-Position.

Statusausgang

Mit Hilfe des Funktionswahlschalters **7** kann festgelegt werden, ob der Statusausgang während Saunabetriebs oder während des Nachtrockenprogramms aktiviert ist. Die Aktivierung während des Nachtrockenprogramms ermöglicht das automatische Leeren des Verdampfers bei Kombiöfen mit Auto-Refillfunktion.

- Standardmäßig befindet sich der Funktionswahlschalter **7** in OFF-Position. Der Statusausgang ist somit während des Saunabetriebs aktiviert.
- Wenn Sie den Statusausgang während des Nachtrockenprogramms aktivieren möchten, bringen Sie den Funktionswahlschalter **7** in die ON-Position.

Betriebsmodus des Zusatzausgangs einstellen

Der Zusatzausgang ist wahlweise dimmbar oder schaltbar. Die Dimmfunktion wird über den Funktionswahlschalter **8** aktiviert bzw. deaktiviert.

- Standardmäßig befindet sich der Funktionswahlschalter **8** in ON-Position. Die Dimmfunktion ist damit aktiviert.
- Wenn Sie die Dimmfunktion des Zusatzausgangs deaktivieren möchten, bringen Sie den Funktionswahlschalter **8** in die OFF-Position.

8.2. Einstellungen im Technikermenü

Techniker-Menü aufrufen

Im Techniker-Menü können weitere Einstellungen vorgenommen werden. Um ins Technikermenü zu gelangen, führen Sie folgende Schritte aus:

1. Schalten Sie die Saunasteuerung aus.
2. Drücken Sie gleichzeitig auf den unteren Drehknopf und den EIN/AUS-Schalter.
 - ▶ Im oberen Display erscheint kurz "SEtt".
 - ▶ Die beiden Drehknöpfe blinken.



Die Einstellungen werden gespeichert, sobald Sie das Technikermenü beenden (siehe **Techniker-Menü beenden** auf **Seite 30**).

Ein-Fühlerbetrieb aktivieren

Im Ein-Fühlerbetrieb wird die Saunasteuerung nur mit dem Ofenfühler mit Über-temperatur-Sicherung (F1-Fühler) betrieben. Standardmäßig ist der Zwei-Fühlerbetrieb aktiviert. Wenn Sie den Ein-Fühlerbetrieb aktivieren möchten, führen Sie folgende Schritte durch:

1. Rufen Sie das Techniker-Menü auf (siehe **26**).
2. Drehen Sie den oberen Drehknopf auf das Temperatursymbol (Position **A** – siehe Punkt **9.2** auf Seite **31**).
 - ▶ Das Temperatursymbol blinkt.
 - ▶ Im oberen Display erscheint "SEnB".
 - ▶ Im unteren Display erscheint "On".
("On" bedeutet aktivierter Zwei-Fühlerbetrieb.)
3. Drehen Sie den unteren Drehknopf nach links.
 - ▶ Im unteren Display erscheint "OFF".
 - ▶ Der Ein-Fühlerbetrieb ist aktiviert.

Ofentemperatur im Ein-Fühlerbetrieb anzeigen

Im Ein-Fühlerbetrieb zeigt die Saunasteuerung standardmäßig nur die Soll-Temperatur an. Die Ist-Temperatur wird nicht angezeigt. Wenn die Saunasteuerung im Ein-Fühlerbetrieb die Temperatur über dem Ofen (F1-Fühler) als Ist-Temperatur anzeigen soll, muss dies im Technikermenü aktiviert werden.

1. Rufen Sie das Techniker-Menü auf (siehe Seite **26**)
2. Aktivieren Sie den Ein-Fühlerbetrieb (siehe Seite **26**).
 - ▶ Im oberen Display steht "SEnB".
 - ▶ Im unteren Display steht "OFF".
3. Drücken Sie auf den unteren Drehknopf.
 - ▶ Im oberen Display erscheint "dISP".
 - ▶ Im unteren Display erscheint "SEt" (im Ein-Fühlerbetrieb wird nur die Soll-Temperatur angezeigt.)
4. Drehen Sie den unteren Drehknopf nach links.
 - ▶ Im unteren Display erscheint "SEnS" (die Ofentemperatur (F1-Fühler) wird als Ist-Temperatur im Ein-Fühlerbetrieb angezeigt)

Höchsttemperatur auf 105 °C senken

Standardmäßig kann die Soll-Temperatur von 30 °C bis 110 °C eingestellt werden. Wenn Sie die Höchsttemperatur von 110 °C auf 105 °C senken wollen, führen Sie folgende Schritte durch:

1. Rufen Sie das Techniker-Menü auf (siehe **26**).
2. Drehen Sie den oberen Drehknopf auf das Temperatursymbol (Position **A** – siehe Punkt **9.2** auf Seite).
 - ▶ Das Temperatursymbol blinkt.
 - ▶ Im oberen Display erscheint "SEnB".
3. Drücken Sie auf den unteren Drehknopf bis im oberen Display "tHI" erscheint.
 - ▶ Im unteren Display erscheint "110".
4. Drehen Sie den unteren Drehknopf nach links.
 - ▶ Im unteren Display erscheint "105" (Höchsttemperatur auf 105 °C eingestellt)

Gleichzeitige Anzeige der Temperatur und des Feuchtwertes aktivieren

Um die gleichzeitige Anzeige von Temperatur und Feuchte zu aktivieren, führen Sie folgende Schritte durch:

1. Rufen Sie das Techniker-Menü auf (siehe **26**).

2. Drehen Sie den oberen Drehknopf auf das Temperatursymbol (Position **A** – siehe Punkt **9.2** auf Seite **31**).
 - ▶ Das Temperatursymbol blinkt.
 - ▶ Im oberen Display erscheint „SEnB“.
3. Drücken Sie mehrmals auf den unteren Drehknopf bis im oberen Display „ISt2“ erscheint.
4. Drehen Sie den unteren Drehknopf nach links bzw. rechts, um die Funktion zu aktivieren bzw. zu deaktivieren.

Verdampfer-Single-Betrieb aktivieren (nur PRO C3)

Werkseitig lässt sich der Verdampfer nur gemeinsam mit dem Heizsystem in Betrieb nehmen. Um den Verdampfer alleine ohne Heizsystem betreiben zu können, muss diese Funktion aktiviert werden. Führen Sie dazu folgende Schritte durch:

1. Rufen Sie das Techniker-Menü auf (siehe **26**).
2. Drehen Sie den oberen Drehknopf auf das Feuchtesymbol (Position **B** – siehe Punkt **9.2** auf Seite **31**).
 - ▶ Das Feuchtesymbol blinkt.
 - ▶ Im oberen Display erscheint „SIn“.
 - ▶ Im unteren Display erscheint „OFF“. (deaktivierter Verdampfer-Single-Betrieb.)
3. Drehen Sie den unteren Drehknopf nach rechts.
 - ▶ Im unteren Display erscheint „On“. (aktivierter Verdampfer-Single-Betrieb)

Laufzeit Nachtrockenprogramm einstellen (nur PRO C3)

Standardmäßig ist die maximale Laufzeit des Nachtrockenprogrammes auf 30 Min. eingestellt. Wenn Sie diese Einstellung ändern wollen, führen Sie folgende Schritte durch:

1. Rufen Sie das Techniker-Menü auf (siehe **26**).
2. Drehen Sie den oberen Drehknopf auf das Feuchtesymbol (Position **B**)
 - ▶ Das Feuchtesymbol blinkt.
 - ▶ Im oberen Display erscheint „SIn“.
3. Drücken Sie den unteren Drehknopf.
 - ▶ Im unteren Display erscheint „t30“.
4. Drehen Sie den unteren Drehknopf (Auswahl 0 - 60; 0 = Nachtrockenprogramm ausgeschaltet, 60 = maximale Laufzeit in Minuten)

Folienfühler aktivieren/deaktivieren

Wenn an den Zusatzausgang Infrarot-Wärmeplatten angeschlossen werden, muss der Folienfühler P-ISX-FF verwendet werden. Der Folienfühler muss aktiviert werden. Führen Sie dazu folgende Schritte durch:

1. Rufen Sie das Techniker-Menü auf (siehe **26**).
2. Drehen Sie den oberen Drehknopf auf das Zusatzausgangs-Symbol (Position **C** – siehe Punkt **9.2** auf Seite **31**).
 - ▶ Das Zusatzausgangs-Symbol leuchtet.
 - ▶ Im oberen Display erscheint "SEnF".
 - ▶ Im unteren Display erscheint "OFF". (deaktivierter Folienfühler)
3. Drehen Sie den unteren Drehknopf nach rechts.
 - ▶ Im unteren Display erscheint "On". (aktivierter Folienfühler)

Licht-Dimmkurve ändern

Da Glühbirnen und LEDs unterschiedlich auf die Dimmfunktion reagieren, besteht die Möglichkeit die Dimmkurve entsprechend dem verwendeten Lichtsystem auszuwählen.

DE

1. Rufen Sie das Techniker-Menü auf (siehe **26**).
2. Drehen Sie den oberen Drehknopf auf das Lichtsymbol (Position **D** – siehe Punkt **9.2** auf Seite **31**).
 - ▶ Das Lichtsymbol leuchtet.
 - ▶ Im oberen Display erscheint „tYPe“.
 - ▶ Im unteren Display erscheint „BULB“.
(„BULB“ bedeutet die Dimmkurve für Glühbirnen ist aktiviert.)
3. Drehen Sie den unteren Drehknopf nach links.
 - ▶ Im unteren Display erscheint „LED“.
(„LED“ bedeutet die Dimmkurve für LEDs ist aktiviert.)

Lüfter-Betriebsmodus einstellen

Der Lüfter ist wahlweise dimmbar oder schaltbar. Standardmäßig ist die Dimmfunktion des Lüfters aktiviert. Wenn Sie die Dimmfunktion des Lüfters deaktivieren möchten, führen Sie folgende Schritte durch:

1. Rufen Sie das Techniker-Menü auf (siehe **26**).
2. Drehen Sie den oberen Drehknopf auf das Lüftersymbol (Position **E** – siehe Punkt **9.2** auf Seite **31**).
 - ▶ Das Lüftersymbol leuchtet.
 - ▶ Im oberen Display erscheint "FAn".
 - ▶ Im unteren Display erscheint "On".
(„On“ bedeutet aktivierte Dimmfunktion.)

3. Drehen Sie den unteren Drehknopf nach links.
 - ▶ Im unteren Display erscheint "OFF".
 - ▶ Die Dimmfunktion des Lüfters ist deaktiviert.

Sicherheitsabschaltung / Türsensor aktivieren

Standardmäßig ist die Sicherheitsabschaltung aktiviert. Wenn Sie die Türöffnerfunktion aktivieren möchten, führen Sie folgende Schritte durch:

1. Rufen Sie das Techniker-Menü auf (siehe **26**).
2. Drehen Sie den oberen Drehknopf auf das Fernstartsymbol (Position **J** – siehe Punkt **9.2** auf Seite **31**).
 - ▶ Das Fernstartsymbol blinkt.
 - ▶ Im oberen Display erscheint „SdO“.
 - ▶ Im unteren Display erscheint „SAFE“.
3. Drehen Sie den unteren Drehknopf nach rechts.
 - ▶ Im unteren Display erscheint „door“.
 - ▶ Der Türsensor ist aktiviert.

DE

Softwarestand abfragen

Um die Software-Version Ihrer Saunasteuerung abzufragen, führen Sie folgende Schritte durch:

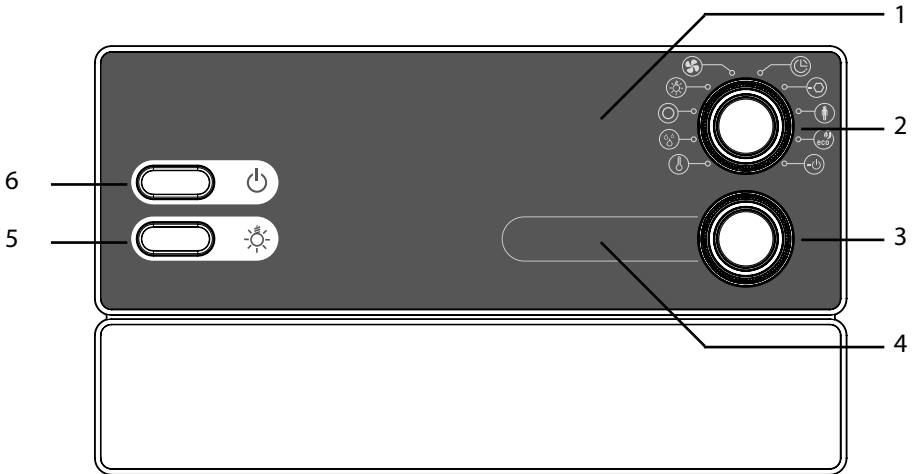
1. Rufen Sie das Techniker-Menü auf (siehe **26**).
2. Drehen Sie den oberen Drehknopf auf das Eco-Symbol (Position **I** – siehe Punkt **9.2** auf Seite **31**).
 - ▶ Im oberen Display erscheint der Softwarestand „5.00.5“.

Techniker-Menü beenden

- Drücken Sie für eine Sekunde (Longpress) auf den unteren Drehknopf.
 - ▶ Der untere Drehknopf hört zu blinken auf.
 - ▶ Der obere Drehknopf leuchtet
 - ▶ Das Techniker-Menü ist beendet.
 - ▶ Ihre Einstellungen wurden gespeichert.

9. Bedienelemente

9.1. Bezeichnung der Bedienelemente



1 Zusatz-Anzeige

2 Funktions-Wähler

3 Intensitäts-Wähler

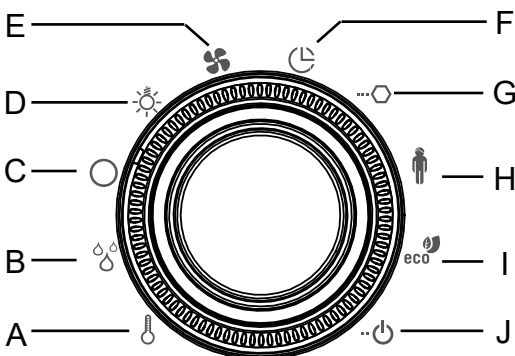
4 Intensitäts-Anzeige

5 Lichtschalter

6 EIN/AUS-Schalter

9.2. Der Funktions-Wähler

Mit dem Funktions-Wähler 2 legen Sie fest, welche Funktion mit dem Intensitäts-Wähler 3 verändert werden soll. Der Funktions-Wähler 2 leuchtet, wenn die Saunasteuerung eingeschaltet ist.



A Temperatur

B Feuchte (nur PRO C3)

C Zusatzausgang

D Licht

E Lüfter

F Vorwahlzeit

G Laufzeit

H Benutzerprogramme

I Eco-Funktion

J Fernstart

9.3. Der Intensitäts-Wähler

Mit dem Intensitäts-Wähler 3 verändern Sie die Intensität bzw. Leistung jener Funktion, die am Funktions-Wähler 2 ausgewählt ist.

- Drehen Sie den Intensitäts-Wähler 3 nach rechts, um die Leistung zu erhöhen.
- Drehen Sie den Intensitäts-Wähler 3 nach links, um die Leistung zu senken.

Wenn Sie auf den Intensitäts-Wähler 3 drücken, starten Sie jene Funktion, die am Funktions-Wähler 2 ausgewählt ist.

- Der Intensitäts-Wähler 3 leuchtet, wenn jene Funktion, die am Funktions-Wähler 2 ausgewählt ist, eingeschaltet ist.

10. Bedienung

10.1. Licht einschalten

DE

Das Licht in der Saunakabine kann unabhängig vom EIN/AUS-Schalter 6 eingeschaltet und ausgeschaltet werden.

- Um das Licht einzuschalten bzw. auszuschalten, drücken Sie den Lichtschalter 5.



Wenn der Lichtschalter 5 eingeschaltet ist, leuchtet das Kabinenlicht immer mit voller Leistung. Wenn Sie das Licht über den Intensitäts-Wähler 3 dimmen möchten, schalten Sie den Lichtschalter 5 aus.

10.2. Saunasteuerung einschalten

- Drücken Sie den EIN/AUS-Schalter 6, um die Saunasteuerung einzuschalten.
 - ▶ Der Funktions-Wähler 2 leuchtet.



Grundsätzliche Bedienung

1. Drehen Sie den Funktionswähler 2 auf jene Funktion (Sauna, Feuchte, Licht, Lüfter, Zusatzausgang), die sie starten oder ausschalten möchten.
2. Wählen Sie mit dem Intensitäts-Wähler 3 die gewünschte Intensität der Funktion.
3. Drücken Sie auf den Intensitäts-Wähler 3, um die Funktion zu starten oder auszuschalten.



Wenn Sie den Saunaofen (Temperaturfunktion **A**) ausschalten, wird automatisch auch der Verdampfer (Feuchtefunktion **B**) ausgeschaltet.

10.3. Sauna-Betrieb starten



WARNUNG!
Brandgefahr

Brennbare Gegenstände, die auf dem heißen Saunaofen liegen, können sich entzünden und Brände verursachen.

- Legen Sie NIEMALS brennbare Gegenstände auf den Saunaofen.
- Stellen Sie sicher, dass KEINE brennbaren Gegenstände auf dem Saunaofen liegen, bevor Sie die Saunasteuerung einschalten.

1. Drehen Sie den Funktions-Wähler 2 in die Position **A** (Temperatur).
 - ▶ Das Temperatursymbol leuchtet.
2. Stellen Sie mit dem Intensitäts-Wähler 3 die gewünschte Temperatur ein.
3. Drücken Sie auf den Intensitäts-Wähler 3.
 - ▶ Der Saunaofen wird eingeschaltet und beginnt zu heizen.
 - ▶ Der Intensitäts-Wähler 3 leuchtet.
 - ▶ In der Intensitäts-Anzeige 4 wird die aktuelle Temperatur in der Kabine angezeigt. Im Ein-Fühlerbetrieb wird die Soll-Temperatur angezeigt.

DE

10.4. Kombi-Betrieb starten (nur PRO C3)

1. Drehen Sie den Funktions-Wähler 2 in die Position **A** (Temperatur).
 - ▶ Das Temperatursymbol leuchtet.
2. Stellen Sie mit dem Intensitäts-Wähler 3 die gewünschte Temperatur ein.
3. Drücken Sie auf den Intensitäts-Wähler 3.
 - ▶ Der Saunaofen wird eingeschaltet und beginnt zu heizen.
 - ▶ Der Intensitäts-Wähler 3 leuchtet.
 - ▶ In der Intensitäts-Anzeige 4 wird die aktuelle Temperatur in der Kabine angezeigt. Im Ein-Fühlerbetrieb wird die Soll-Temperatur angezeigt.
4. Drehen Sie den Funktions-Wähler 2 in die Position **B** (Feuchte).
 - ▶ Das Feuchtesymbol leuchtet.
 - ▶ Das Licht am Intensitäts-Wähler 3 erlischt.
5. Stellen Sie mit dem Intensitäts-Wähler 3 die gewünschte Feuchte ein.

6. Drücken Sie auf den Intensitäts-Wähler 3.
- ▶ Der Verdampfer wird eingeschaltet.
 - ▶ Der Intensitäts-Wähler 3 leuchtet.
 - ▶ In der Intensitäts-Anzeige 4 wird die aktuelle Feuchte in der Kabine angezeigt. Wenn kein Feuchte-Temperaturfühler installiert ist, wird die Soll-Feuchte angezeigt.



Der Verdampfer (Feuchtfunktion **B**) lässt sich nur starten, wenn der Saunaofen (Temperaturfunktion **A**) eingeschaltet ist. Dabei ist die maximal einstellbare Soll-Feuchte von der Saunatemperatur abhängig. Je höher die Saunatemperatur, desto niedriger ist der maximal einstellbare Feuchtwert.

Ausnahme: Der Verdampfer-Single-Betrieb ist aktiviert (siehe „**8.2. Einstellungen im Technikermenü**“ auf Seite 26). Hier lässt sich der Verdampfer auch ohne Saunaofen in Betrieb nehmen, wobei die maximale Feuchte von der aktuellen Kabinentemperatur abhängt.

DE



Wird die Saunasteuerung ohne Feuchte-Temperaturfühler (FTS2) verwendet, ist der Taktbetrieb aktiviert. Befindet sich die Kabinentemperatur unter 30° C, wird der Verdampfer für 10 Minuten durchgehend eingeschaltet. Dies sorgt dafür, dass das Wasser im Tank eine Grund-Temperatur erreicht. Danach wird mit dem Taktbetrieb begonnen.

10.5. Zusatzausgang starten

Am Zusatzausgang der Saunasteuerung können z.B. Infrarot-Strahler oder Infrarot-Wärmeplatten angeschlossen werden.



WARNUNG! **Brandgefahr**

Brennbare Gegenstände, die auf oder vor dem heißen Infrarot-Strahler liegen, können sich entzünden und Brände verursachen.

- Legen Sie NIEMALS brennbare Gegenstände auf oder vor dem Infrarot-Strahler.
- Stellen Sie sicher, dass KEINE brennbaren Gegenstände auf oder vor dem Infrarot-Strahler liegen, bevor Sie diesen einschalten.

Für den Zusatzausgang stehen 2 verschiedene Betriebsarten zur Verfügung:

1. Intensitätsregelung
2. Raumtemperaturregelung

Um zwischen den beiden Betriebsarten zu wechseln, gehen Sie wie folgt vor:

1. Drehen Sie den Funktions-Wähler 2 in die Position **C** (Zusatzausgang).
 - ▶ Das Zusatzausgangs-Symbol leuchtet.
 - ▶ In der Intensitätsanzeige 4 wird je nach Betriebsart ein Intensitätswert oder eine Temperatur angezeigt.
2. Drücken Sie für drei Sekunden (Longpress) auf den unteren Drehknopf.
 - ▶ Im oberen Display wird für kurze Zeit die soeben eingestellte Betriebsart angezeigt:
 - Anzeige: „**StEP**“ - der Zusatzausgang befindet sich in der **Intensitätsregelung**.
 - Anzeige: „**tE**“ - der Zusatzausgang befindet sich in der **Raumtemperaturregelung**.

Intensitätsregelung bei aktivierter Dimmfunktion

Wenn die Dimmfunktion des Zusatzausgangs aktiviert ist, können Sie die Leistung des Zusatzgeräts auf einer Skala von 0 bis 7 einstellen. Beim Wert 0 ist das Zusatzgerät ausgeschaltet. Der Wert 7 entspricht der vollen Leistung.

DE

1. Drehen Sie den Funktions-Wähler 2 in die Position **C** (Zusatzausgang).
 - ▶ Das Zusatzausgangs-Symbol leuchtet.
2. Stellen Sie mit dem Intensitäts-Wähler 3 die gewünschte Leistung des Zusatzgerätes ein.
3. Drücken Sie auf den Intensitäts-Wähler 3.
 - ▶ Das Zusatzgerät wird eingeschaltet.
 - ▶ Der Intensitäts-Wähler 3 leuchtet.

Intensitätsregelung bei deaktivierter Dimmfunktion

Wenn die Dimmfunktion des Zusatzausgangs deaktiviert ist, können Sie das Zusatzgerät nur ein- und ausschalten. Das Gerät läuft immer mit voller Leistung.

1. Drehen Sie den Funktions-Wähler 2 in die Position **C** (Zusatzausgang).
 - ▶ Das Zusatzausgangs-Symbol leuchtet.
 - ▶ In der Intensitäts-Anzeige erscheint "OFF".
2. Drücken Sie auf den Intensitätsregler 3.
 - ▶ Das Zusatzgerät wird eingeschaltet.
 - ▶ Der Intensitäts-Wähler 3 leuchtet.
 - ▶ In der Intensitäts-Anzeige erscheint "On".

Raumtemperaturregelung des Zusatzausgangs

Wenn die Betriebsart des Zusatzausgangs auf Raumtemperaturregelung gestellt ist, kann eine Kabinentemperatur eingestellt werden, welche über den Zusatzausgang geregelt wird. Dies kann dazu verwendet werden, um die Kabinentemperatur rein über Infrarot-Strahler bzw. Infrarot-Wärmeplatten zu regeln.

Einstellungsmöglichkeiten:

- Infrarot-Strahler (ohne Folienfühler): 30 - 70° C
- Infrarot-Wärmeplatten (mit Folienfühler): 30 - 50° C



Ist der Saunaofen bereits aktiv bzw. wird zusätzlich der Saunaofen gestartet, ist keine Temperaturregelung des Zusatzausgangs möglich. Die Betriebsart wird automatisch auf Leistungsregelung geändert und der Zusatzausgang läuft mit höchster Stufe weiter.

10.6. Licht einschalten

Bei aktivierter Dimmfunktion

Wenn die Dimmfunktion des Licht aktiviert ist, können Sie die Leistung des Lichtes von Stufe 0 bis Stufe 100 einstellen. Beim Wert 0 ist das Licht ausgeschaltet. Der Wert 100 entspricht der vollen Leistung.

DE

1. Drehen Sie den Funktions-Wähler 2 in die Position **D** (Licht).
 - ▶ Das Lichtsymbol leuchtet.
2. Stellen Sie mit dem Intensitäts-Wähler 3 die gewünschte Lichtleistung ein.
3. Drücken Sie auf den Intensitäts-Wähler 3.
 - ▶ Das Licht wird eingeschaltet.

Der Intensitäts-Wähler 3 leuchtet.



Wenn der Lichtschalter 5 eingeschaltet ist, leuchtet das Kabinenlicht immer mit voller Leistung. Wenn Sie das Licht über den Intensitäts-Wähler 3 dimmen möchten, schalten Sie den Lichtschalter 5 aus.

Bei deaktivierter Dimmfunktion

Wenn die Dimmfunktion des Licht deaktiviert ist, können Sie das Licht nur ein- und ausschalten. Das Licht leuchtet immer mit voller Leistung.

1. Drehen Sie den Funktions-Wähler 2 in die Position **D** (Licht).
 - ▶ Das Lichtsymbol leuchtet.
 - ▶ In der Intensitäts-Anzeige erscheint "OFF".
2. Drücken Sie auf den Intensitätsregler 3.
 - ▶ Das Licht wird eingeschaltet.
 - ▶ Der Intensitäts-Wähler 3 leuchtet.
 - ▶ In der Intensitäts-Anzeige erscheint "On".

10.7. Lüfter starten

Bei aktivierter Dimmfunktion

Wenn die Dimmfunktion des Lüfters aktiviert ist, können Sie die Leistung des Lüfters auf einer Skala von 0 bis 100 einstellen. Beim Wert 0 ist der Lüfter ausgeschaltet. Der Wert 100 entspricht der vollen Leistung.

1. Drehen Sie den Funktions-Wähler 2 in die Position **E** (Lüfter).
 - ▶ Das Lüftersymbol leuchtet.
2. Stellen Sie mit dem Intensitäts-Wähler 3 die gewünschte Leistung des Lüfters ein.
3. Drücken Sie auf den Intensitäts-Wähler 3.
 - ▶ Der Lüfter wird eingeschaltet.
 - ▶ Der Intensitäts-Wähler 3 leuchtet.

Bei deaktivierter Dimmfunktion

Wenn die Dimmfunktion des Lüfters deaktiviert ist, können Sie den Lüfter nur ein- und ausschalten. Das Gerät läuft immer mit voller Leistung.

DE

1. Drehen Sie den Funktions-Wähler 2 in die Position **E** (Lüfter).
 - ▶ Das Lüftersymbol leuchtet.
 - ▶ In der Intensitäts-Anzeige erscheint "OFF".
2. Drücken Sie auf den Intensitätsregler 3.
 - ▶ Der Lüfter wird eingeschaltet.
 - ▶ Der Intensitäts-Wähler 3 leuchtet.
 - ▶ In der Intensitäts-Anzeige erscheint "On".

10.8. Vorwahlzeit einstellen

Sie können die Vorwahlzeit minutengenau einstellen. Die maximale Vorwahlzeit beträgt 24 Stunden. Die Vorwahlzeit wird in Stunden und Minuten angezeigt, z.B. werden 8 Stunden und 15 Minuten als 8.15 angezeigt.



WARNUNG! **Brandgefahr**

Brennbare Gegenstände, die auf dem heißen Saunaofen liegen, entzünden sich und verursachen Brände.

- Legen Sie NIEMALS brennbare Gegenstände auf den Saunaofen.
- Stellen Sie sicher, dass KEINE brennbaren Gegenstände auf dem Saunaofen liegen, bevor Sie die Vorwahlzeitfunktion aktivieren .

1. Starten Sie jene Funktionen, die nach Ablauf der Vorwahlzeit gestartet werden sollen.
2. Drehen Sie den Funktions-Wähler 2 in die Position **F** (Vorwahlzeit).
 - ▶ In der Intensitäts-Anzeige 4 wird die zuletzt eingestellte Vorwahlzeit angezeigt.
3. Stellen Sie mit dem Intensitäts-Wähler 3 die gewünschte Vorwahlzeit ein.
4. Drücken Sie auf den Intensitäts-Wähler 3.
 - ▶ Die Saunasteuerung wechselt in den Standby-Modus und der Timer läuft.
 - ▶ In der Intensitäts-Anzeige 4 wird die verbleibende Vorwahlzeit angezeigt.
 - ▶ Das Vorwahlzeit-Symbol blinkt.
 - ▶ Der Intensitäts-Wähler 3 leuchtet.
 - ▶ Nach Ablauf der Vorwahlzeit werden die gewählten Funktionen gestartet.

10.9. Vorwahlzeit-Funktion abbrechen

- Drücken Sie auf den Intensitäts-Wähler 3, um die Vorwahlzeit-Funktion abzubrechen.
 - ▶ Das Ablaufen der Vorwahlzeit wird abgebrochen.
 - ▶ Das Vorwahlzeit-Symbol leuchtet konstant.

10.10. Laufzeit einstellen

Sie können bereits beim Starten der Sauna bestimmen, wie lange die Sauna in Betrieb sein soll. Dabei kann die maximale Heizzeit (z.B. 6 h für private Saunen) nicht überschritten werden. Die Laufzeit wird in Stunden und Minuten angezeigt, z.B. werden 3 Stunden und 15 Minuten als 3.15 angezeigt.

1. Drehen Sie den Funktions-Wähler 2 in die Position **G** (Laufzeit).
 - ▶ In der Intensitäts-Anzeige 4 wird die zuletzt eingestellte Laufzeit angezeigt.
2. Stellen Sie mit dem Intensitäts-Wähler 3 die gewünschte Laufzeit ein.
3. Um die Laufzeit dauerhaft zu speichern, drücken Sie für drei Sekunden (Longpress) auf den unteren Drehknopf.
 - ▶ Der untere Drehknopf leuchtet 4-Mal auf - die Einstellung ist gespeichert.

10.11. Standby für Fernwirken aktivieren



- Drücken Sie auf den Intensitätswähler 3 und drehen Sie ihn gleichzeitig.
 - ▶ Die Vorwahlzeit bzw. Laufzeit verändert sich in Stundenschritten.

Laut EN 60335-2-53 müssen Saunasteuerungen mit Fernstartfunktion manuell auf die Betriebsart „Standby für Fernwirken“ gestellt werden.

Bei aktivierter Sicherheitsabschaltung (Standard)



Diese Aktivierung muss nach jedem Fernstart- und Fernstopp-Vorgang neu erfolgen.

F ü h -

ren Sie dazu folgende Schritte durch:

1. Drehen Sie den Funktions-Wähler 2 in die Position **J** (Fernstart).
 - ▶ In der Intensitäts-Anzeige 4 wird „oFF“ angezeigt.
2. Drücken Sie den unteren Drehregler um die Betriebsart „Standby für Fernwirken“ zu aktivieren.
 - ▶ In der Intensitäts-Anzeige 4 wird „on“ angezeigt und das Fernstart-Symbol beginnt zu blinken.
 - ▶ Die Saunasteuerung ist nun bereit um über ein Fernstartsignal gestartet und gestoppt zu werden.
 - ▶ Nach erfolgtem Fernstart- und Fernstopp erlischt das Fernstart-Symbol und die Aktivierung der Betriebsart muss erneut vorgenommen werden.

DE

Bei aktiviertem Türsensor

Führen Sie dazu folgende Schritte durch:

1. Drehen Sie den Funktions-Wähler 2 in die Position **J** (Fernstart).
 - ▶ In der Intensitäts-Anzeige 4 wird „oFF“ angezeigt.
2. Drücken Sie den unteren Drehregler um die Betriebsart „Standby für Fernwirken“ zu aktivieren.
 - ▶ In der Intensitäts-Anzeige 4 wird ein Countdown von 30 Sekunden angezeigt. Die Tür kann in dieser Zeit beliebig oft geöffnet / geschlossen werden. Nach Ablauf des Countdown muss die Türe geschlossen sein!
 - ▶ In der Intensitäts-Anzeige 4 wird „rc“ angezeigt und das Fernstart-Symbol beginnt zu blinken.
 - ▶ Die Saunasteuerung ist nun bereit um über ein Fernstartsignal gestartet zu werden (=Modus „Standby für Fernwirken“)
 - ▶ Nach erfolgtem Fernstart- und Fernstopp erlischt das Fernstart-Symbol und die Aktivierung der Betriebsart muss erneut vorgenommen werden.

Tür wird geöffnet - im Display erscheint Warnung „door“

- im Modus „Standby für Fernwirken“:
Um den Modus fortzusetzen muss die Tür geschlossen werden, und der unteren Drehregler muss zwei mal gedrückt werden.
▶ Im Display wird wieder der Countdown (30Sek.) angezeigt.
- im laufenden Betrieb oder freigegebenen Fernstart-Ausgang (für Münzer oder Türsensor-System):
Die Quittierung erfolgt automatisch, wenn die Tür geschlossen wird.

10.12. Soll-Werte ändern

Sie können während des Betriebs jederzeit die eingestellten Soll-Werte ändern.

1. Drehen Sie den Funktions-Wähler 2 auf die Funktion, die Sie ändern möchten.
2. Stellen Sie mit dem Intensität-Wähler 3 den gewünschten Soll-Wert ein.

10.13. Nachtrockenprogramm abrechnen

Nach dem Kombi-Betrieb wird automatisch das Nachtrockenprogramm gestartet. Dabei wird die Saunakabine bei eingeschaltetem Lüfter auf 80 °C aufgeheizt. (Standard = 30 Minuten - je nach Einstellung im Technikermenü). In der Intensitäts-Anzeige 4 wird der Text "dry" angezeigt und das Temperatur-Symbol blinkt.

- Drücken Sie für drei Sekunden (Longpress) auf den Intensitäts-Wähler 3, um das Nachtrockenprogramm abzubrechen.

10.14. Saunasteuerung ausschalten



Um Schimmel- und Fäulnisbildung zu vermeiden, sollte das Nachtrockenprogramm NICHT abgebrochen werden.

- Drücken Sie den EIN/AUS-Schalter 6, um die Saunasteuerung auszuschalten.
 - ▶ Die Lichter am Funktions-Wähler 2 und am Intensitäts-Wähler und die Intensitäts-Anzeige erlöschen.
 - ▶ Die Saunasteuerung ist ausgeschaltet.

11. Benutzerprogramme

Mit Hilfe der Benutzerprogramme können bevorzugte Sauna-Einstellungen gespeichert und wieder abgerufen werden. Es stehen 5 voreingestellte Benutzerprogramme zur Verfügung, die nach den Vorstellungen der Anwender abgeändert werden können.

Die Einstellungen folgender Funktionen werden in den Benutzerprogrammen abgespeichert:

- Temperatur
- Feuchte (nur PRO C3)
- Zusatzausgang (Intensitäts- oder Raumtemperaturregelung)
- Licht
- Lüfter
- Laufzeit

11.1. Voreingestellte Benutzerprogramme

Folgende Benutzerprogramme sind bereits vordefiniert.

Benutzer- Programm	Temperatur °C	Feuchte %	Zusatz- ausgang	Licht %	Lüfter %	Laufzeit Std
1	90	0	0	50	0	2
2	70	0	0	50	0	2
3	50	60	0	50	0	2
4	60	35	0	50	0	2
5	30	0	7	50	0	1

DE

Benutzerprogramme aufrufen

1. Drehen Sie den Funktions-Wähler 2 in die Position **H** (Benutzerprogramme).
 - ▶ Das Benutzer-Symbol leuchtet.
2. Wählen Sie mit dem Intensitätsregler 3 ein Benutzerprogramm (1 - 5) aus.
3. Drücken Sie auf den Intensitäts-Wähler 3.
 - ▶ Das Benutzer-Programm wird gestartet.
 - ▶ Der Intensitäts-Wähler 3 leuchtet.

11.2. Eigene Benutzerprogramme erstellen

Sie können Benutzerprogramme nach Ihren Vorstellungen erstellen. Dabei wird ein voreingestelltes Benutzerprogramm überschrieben. Führen Sie dazu folgende Schritte durch:

1. Starten Sie alle Funktionen, die mit dem Benutzerprogramm eingeschaltet werden sollen, mit der gewünschten Intensität.
2. Drehen Sie den Funktions-Wähler 2 in die Position **H** (Benutzerprogramme).
 - ▶ Das Benutzer-Symbol leuchtet.
3. Wählen Sie mit dem Intensitätsregler 3 aus, unter welcher Nummer (1 - 5) das neue Benutzerprogramm gespeichert werden soll.
4. Drücken Sie für drei Sekunden (Longpress) auf den Intensitäts-Wähler 3.
 - ▶ Der Intensitätswähler blinkt.
 - ▶ Die Einstellungen wurden im gewählten Benutzerprogramm gespeichert.

Beispiel

Benutzer- Programm	Temperatur °C	Feuchte %	Zusatz- ausgang	Licht %	Lüfter %	Laufzeit Std
2	45	55	0	50	0	3

DE

12. Die Eco-Funktion

Die Eco-Funktion ermöglicht Ihnen, in den Pausen zwischen den Saunagängen Energie zu sparen. Die angeschlossenen Geräte laufen bei aktivierter Eco-Funktion mit reduzierter Leistung. Sie können zwischen einer 20-, 40-, oder 60-minütigen Saunapause wählen.

Der Saunaofen bzw. der Verdampfer werden vor Ende der Pause wieder eingeschaltet. So sind am Ende der Saunapause die Soll-Temperatur und die Soll-Feuchte wieder erreicht.

Führen Sie folgende Schritte aus, um die Eco-Funktion zu aktivieren:

1. Drehen Sie den Funktions-Wähler 2 in die Position **I** (Eco-Funktion).
 - ▶ Das Eco-Symbol leuchtet.
2. Stellen Sie mit dem Intensitäts-Wähler 3 die gewünschte Pausenlänge ein.
 - E20 steht für eine 20-minütige Saunapause.
 - E40 steht für eine 40-minütige Saunapause.
 - E60 steht für eine 60-minütige Saunapause.
3. Drücken Sie auf den Intensitäts-Wähler 3.
 - ▶ Der Intensitäts-Wähler 3 leuchtet.
 - ▶ In der Zusatz-Anzeige 1 wird angezeigt, in wieviel Minuten der Saunaofen eingeschaltet wird, um rechtzeitig zum Ende der Saunapause die Soll-Temperatur wieder zu erreichen.

13. Reinigung und Wartung

13.1. Reinigung

ACHTUNG!

Schäden am Gerät

Die Saunasteuerung ist spritzwassergeschützt, trotzdem kann direkter Kontakt mit Wasser das Gerät beschädigen.

- Tauchen Sie das Gerät NIEMALS in Wasser.
- Übergießen Sie das Gerät nicht mit Wasser.
- Reinigen Sie das Gerät nicht zu feucht.

1. Tränken Sie ein Reinigungstuch in milder Seifenlauge.
2. Drücken Sie das Reinigungstuch gut aus.
3. Wischen Sie das Gehäuse der Saunasteuerung vorsichtig ab.

13.2. Wartung

Die Saunasteuerung ist wartungsfrei.

DE

14. Entsorgung



- Entsorgen Sie die Verpackungsmaterialien nach den gültigen Entsorgungsrichtlinien.
- Altgeräte enthalten wiederverwendbare Materialien, aber auch schädliche Stoffe. Geben Sie Ihr Altgerät deshalb auf keinen Fall in den Restmüll, sondern entsorgen Sie das Gerät nach den örtlich geltenden Vorschriften.

15. Problemlösung

15.1. Fehlermeldungen

Die Saunasteuerung ist mit einer Diagnosesoftware ausgestattet, die beim Einschalten und im Betrieb die Systemzustände überprüft. Sobald die Diagnosesoftware einen Fehler erkennt, schaltet die Saunasteuerung den Saunaofen ab.

Fehler werden durch einen wiederkehrenden Warnton und das Blinken des Funktions-Wählers 2 und des Intensitäts-Wählers 3 angezeigt. Zusätzlich wird in der Zusatz-Anzeige 1 der Text "Err" angezeigt. In der der Intensitäts-Anzeige 4 wird die Fehlernummer angezeigt.

Schalten Sie die Saunasteuerung mit dem EIN/AUS-Schalter 6 aus und beheben Sie den Fehler bevor Sie die Saunasteuerung wieder einschalten.

Die folgende Tabelle beschreibt die möglichen Fehler und deren Ursache. Bei Bedarf teilen Sie die Fehlernummer Ihrem Kundendienst mit.

DE

<i>Fehler</i>	<i>Beschreibung</i>	<i>Ursache / Behebung</i>
01	Sicherheitsabschaltung	Ein Gegenstand liegt auf dem Saunaofen. Entfernen Sie diesen bevor Sie den Saunaofen wieder in Betrieb nehmen. Ist keine Sicherheitsabschaltung montiert, beachten Sie Pkt 5.10.auf Seite 21.
02	Übertemperatur-Sicherung	Die maximale Temperatur von 139 °C über dem Ofen wurde überschritten.
04F1	Ofenfühler-Fehler	Defekter Ofenfühler, schlechter Kontakt oder Kurzschluss
05	Folienfühler-Fehler	Defekter Folienfühler, schlechter Kontakt oder Kurzschluss
06F2	Bankfühler-Fehler	Defekter Bankfühler, schlechter Kontakt oder Kurzschluss
07	Feuchtefühler-Fehler	Defekter Feuchtefühler, schlechter Kontakt oder Kurzschluss
08	Folienfühler-Übertemperatur	Die maximale Folientemperatur von 100 °C wurde überschritten.
door	Saunatür offen	Die Saunasteuerung ist mit einem Türsensor verbunden. Schließen Sie die Tür oder überprüfen Sie die Anschlüsse bzw. Einstellungen.

15.2. Wassermangelanzeige (nur PRO C3)

Die Saunasteuerung verfügt im Kombi-Betrieb über eine automatische Wassermangel-Abschaltung, sofern Ihr Kombi-Ofen dies unterstützt.

Ist der Wassertank des Verdampfers leer, wird dies durch einen wiederkehrenden Warnton und dem Text "FILL" in der Zusatz-Anzeige 1 signalisiert. Gleichzeitig schaltet sich der Verdampfer ab.

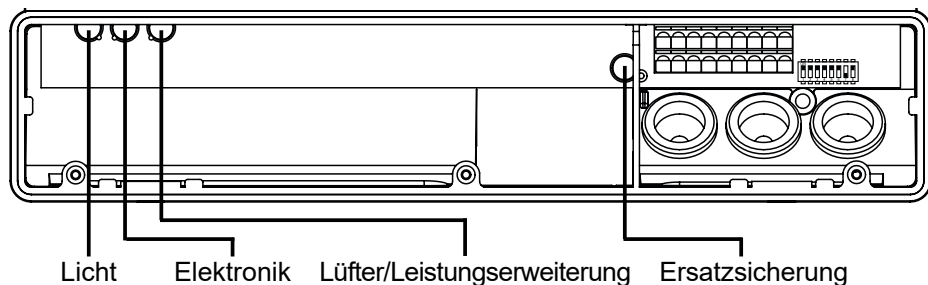
- Füllen Sie Wasser in den Wassertank des Verdampfers.
 - ▶ Nach kurzer Zeit erlischt der Text "FILL" und der Verdampfer beginnt wieder zu heizen.

15.3. Sicherungen

Im Anschlussbereich der Saunasteuerung befinden sich Sicherungen für Licht, Lüfter/Leistungserweiterung und Elektronik sowie eine Ersatzsicherung.

Hierbei handelt es sich um 1A träge Mikrosicherungen.

Diese können mit der Artikelnummer PRO-FUSE bestellt werden.



Zum Tauschen der Sicherung den Sicherungseinsatz gerade abziehen und die neue Sicherung einsetzen.

16. Technische Daten

Umgebungsbedingungen

Lagertemperatur:	-25°C bis +70°C
Umgebungstemperatur:	-10°C bis +40°C
Luftfeuchtigkeit:	max. 95%

Saunasteuerung

Abmessungen:	307 x 175 x 57 mm
Schaltspannung / dreiphasig 3N:	400 V AC
Frequenz:	50 Hz
Schaltleistung / Heizgerät:	3 x 3,5 kW
Schaltstrom pro Phase / Heizgerät:	16 A
Schaltleistung / Verdampfer:	3,5 kW
Schaltstrom / Verdampfer:	16 A
Schaltleistung / Zusatzausgang (dimmbar)*	500 W
Schaltleistung / Zusatzausgang (schaltbar)*	3,5 kW
Schaltstrom / Zusatzausgang:	16 A
Statusausgang:	24 V / 200 mA
Nennspannung:	230 V
Schutzart (spritzwassergeschützt):	IPX4
Anschluss an das Versorgungsnetz als Festverdrahtung (Festanschluss)	

Licht

Schaltleistung:	100 W
Sicherung:	1A T

Lüfter

Schaltleistung:	100 W
Sicherung:	1A T

Einstellbereiche

Temperatur:	30°C bis 110°C
Feuchte:	0 % bis 100 %

Dabei ist die maximal einstellbare Feuchte von der Saunatemperatur abhängig. Je höher die Saunatemperatur, desto niedriger ist der maximal einstellbare Feuchtwert.

* Der Zusatzausgang hat keine Übertemperatursicherung. Deshalb dürfen am Zusatzausgang nur eigensichere Geräte betrieben werden.

Thermische Sicherheit

Ofenfühler mit Übertemperatur-Sicherung (139°C Abschalttemperatur)
Automatische Heizzeitbegrenzung einstellbar (6 h, 12 h, 18 h, 24 h)*
Wahlweise Ein-Fühlerbetrieb oder Zwei-Fühlerbetrieb

Anschlussleitungen

Versorgungsleitung:	min. 5 x 2,5 mm ²
Ofenzuleitung (temperaturbeständig bis 150°C):	min. 2,5 mm ²
Fühlerleitungen (temperaturbeständig bis 150°C):	min. 0,5 mm ²
Lichtleitung:	min. 1,5 mm ²
Lüfterleitung:	min. 1,5 mm ²

DE

Harvia PRO C

HARVIA

Sauna & Spa

Commande de sauna

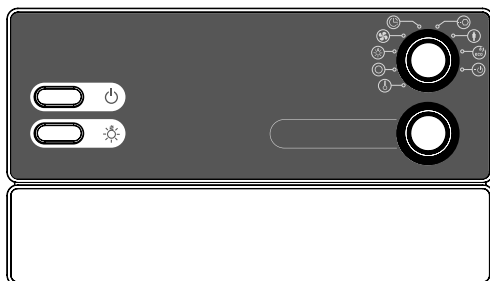
Instructions de montage et mode d'emploi

Let's sauna.

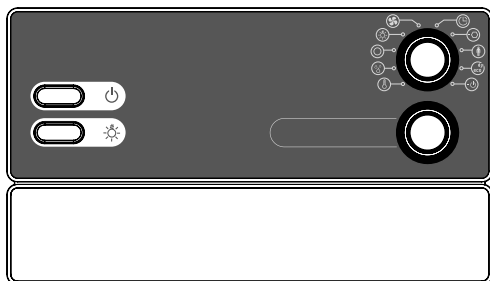
Réf.

PRO-C2 1-015-448

PRO-C3 1-015-451



PRO-C2



PRO-C3



FR

Table des matières

1. Concernant ces instructions	5
2. Remarques importantes pour votre sécurité	6
2.1. Usage conforme	6
2.2. Consignes de sécurité pour le monteur	7
2.3. Consignes de sécurité pour l'utilisateur	8
3. Description du produit	9
3.1. Contenu de la livraison	9
3.2. Accessoires en option	9
3.3. Fonctions du produit	9
3.4. Modes de fonctionnement du sauna	11
3.5. Modes de fonctionnement des sondes	11
4. Montage	13
4.1. Montage de la commande de sauna	13
4.2. Montage de la sonde de poêle F1 avec dispositif de protection contre la surtempérature	15
4.3. Montage de la sonde de banc F2 (en option)	16
4.4. Montage de la sonde de température-humidité FTS2 (en option, seulement PRO C3)	16
4.5. Montage de la sonde de film (en option)	16
5. Branchements électriques	17
5.1. Branchement du câble d'alimentation, du poêle et de l'évaporateur	18
5.2. Branchement de l'éclairage	18
5.3. Branchement du ventilateur (en option)	18
5.4. Branchement de la sortie supplémentaire (en option)	19
5.5. Branchement du module d'extension de puissance (en option)	19
5.6. Branchement de la sonde de poêle F1	19
5.7. Branchement de la sonde de banc F2 (en option)	20
5.8. Raccordement de la sonde de température-humidité FTS2 (en option, seulement PRO C3)	20
5.9. Raccordement du capteur du film (en option)	20

5.10.	Branchement du dispositif d'arrêt de sécurité/capteur de porte.....	21
5.11.	Activation à distance.....	21
5.12.	Sortie d'état.....	21
5.13.	Fin de l'installation.....	21
6.	Exécution des contrôles	22
7.	Schéma de raccordement	23
8.	Mise en service	24
8.1.	Réglage du commutateur de sélection de fonctions.....	24
8.2.	Paramètres de menu de configuration.....	26
9.	Éléments de commande	31
9.1.	Désignation des éléments de commande.....	31
9.2.	Sélecteur de fonction.....	31
9.3.	Sélecteur d'intensité.....	32
10.	Utilisation	32
10.1.	Allumage de l'éclairage.....	32
10.2.	Mise en marche de la commande de sauna.....	32
10.3.	Activation du mode sauna.....	33
10.4.	Démarrage du mode mixte (seulement PRO C3).....	33
10.5.	Démarrage de la sortie supplémentaire.....	34
10.6.	Allumage de l'éclairage	36
10.7.	Mise en marche du ventilateur.....	37
10.8.	Paramétrage du démarrage différé.....	37
10.9.	Interruption de la fonction de démarrage différé.....	38
10.10.	Réglage de la durée.....	38
10.11.	Activation du mode de veille de l'actionnement à distance.....	39
10.12.	Modification des valeurs de consigne.....	40
10.13.	Arrêt du programme de séchage final.....	40
10.14.	Arrêt de la commande de sauna.....	40

11. Programmes utilisateur	41
11.1. Programmes utilisateurs pré-réglés	41
11.2. Réglage personnalisé des programmes utilisateurs	41
12. La fonction ÉCO	42
13. Nettoyage et entretien	43
13.1. Nettoyage	43
13.2. Entretien	43
14. Élimination	43
15. Dépannage	44
15.1. Messages d'erreur	44
15.2. Affichage du manque d'eau (seulement PRO C3)	45
15.3. Fusibles	45
16. Caractéristiques techniques	46

1. Concernant ces instructions

Lisez attentivement les instructions de montage et le mode d'emploi présents et conservez-les à proximité de la commande de sauna. Vous pouvez ainsi consulter à tout moment des informations concernant son utilisation et relatives à votre sécurité.



Ces instructions de montage et ce mode d'emploi sont également disponibles dans la zone de téléchargement de notre site Internet www.mediabank.harvia.com

Symboles d'avertissement

Dans les instructions de montage et le mode d'emploi, un avertissement précède les activités représentant un danger. Conformez-vous impérativement à ces avertissements. Vous éviterez ainsi des dommages matériels et des blessures qui, dans le pire des cas, peuvent être mortelles.

Ces avertissements utilisent des termes clés qui ont la signification suivante :



DANGER !

Si vous ne respectez pas cet avertissement, il y a un risque de blessures graves, voire mortelles.



AVERTISSEMENT !

Si vous ne respectez pas cet avertissement, il y a un risque éventuel de blessures graves, voire mortelles.



PRUDENCE !

Si vous ne respectez pas cet avertissement, il y a un risque éventuel de blessures légères.

ATTENTION !

Ce terme clé vous avertit de dommages matériels éventuels.

Autres symboles



Ce symbole désigne les conseils et indications utiles.

2. Remarques importantes pour votre sécurité

La commande de sauna PRO C2 / PRO C3 est conçue selon des règles techniques de sécurité reconnues. Cependant, des dangers peuvent survenir lors de l'utilisation. C'est pourquoi vous devez suivre les consignes de sécurité suivantes et les avertissements spécifiques des différents chapitres. Conformez-vous aux consignes de sécurité des appareils raccordés.

2.1. Usage conforme

La commande de sauna PRO C2 / PRO C3 sert exclusivement à la commande et au réglage des fonctions conformément aux données techniques.

FR

La commande de sauna PRO C2 / PRO C3 peut uniquement être utilisée pour la commande et le réglage d'un poêle de sauna ayant satisfait au contrôle selon le paragraphe 19.101 de la norme EN 60335-2-53. Si le four ne répond pas à cette exigence, des précautions de sécurité appropriées doivent être prises (par exemple : Dispositif d'arrêt de sécurité/dispositif d'ouverture de porte, voir **5.10** page **21**).

La commande de sauna PRO C2 / PRO C3 ne peut être utilisée que pour la commande et le réglage de 3 cycles de chauffage avec une puissance max. de 3,5 kW par cycle. La puissance maximale de la sortie supplémentaire est de 3,5 kW. La puissance maximale de l'évaporateur (seulement PRO C3) est de 3,5 kW.

Toute autre utilisation est considérée comme un usage non conforme. Un usage non conforme peut endommager le produit et provoquer de graves blessures, voire la mort.

2.2. Consignes de sécurité pour le monteur

- Seul un électricien spécialisé ou une personne ayant une qualification similaire est habilité à procéder au montage.
- Les travaux sur la commande de sauna doivent être effectués uniquement lorsque l'appareil n'est pas sous tension.
- Un dispositif de coupure totale du circuit sur tous les pôles (catégorie de surtension III) doit être prévu par le client.
- La commande de sauna doit être montée en dehors de la cabine de sauna à une hauteur d'environ 1,70 m ou conformément aux recommandations du fabricant de la cabine. La température ambiante doit être comprise entre -10 °C et +40 °C.
- La sonde de poêle doit être posée de sorte à ne pas être influencée par l'air entrant.
- La section du câble d'alimentation du poêle doit être d'au moins 2,5 mm² et pouvoir résister à une température de 150 °C.
- Respectez également les dispositions légales du lieu d'installation.
- En cas de problèmes insuffisamment traités dans les instructions de montage, adressez-vous à votre fournisseur pour votre propre sécurité.

2.3. Consignes de sécurité pour l'utilisateur

- La commande de sauna ne doit pas être utilisée par les enfants de moins de 8 ans.
- La commande de sauna peut être utilisée par les enfants de plus de 8 ans, par des personnes ayant des capacités psychiques, sensorielles ou mentales limitées et par des personnes manquant d'expérience et de connaissances aux conditions suivantes :
 - lorsqu'ils sont surveillés ;
 - lorsque l'utilisation en toute sécurité leur a été montrée et qu'ils comprennent les dangers qui peuvent survenir.
- Les enfants ne doivent pas jouer avec la commande de sauna.
- Les enfants de moins de 14 ans ne peuvent nettoyer la commande de sauna que sous surveillance.
- Pour des raisons de santé, n'utilisez pas la cabine lorsque vous êtes sous l'influence de l'alcool, de médicaments ou de drogues.
- Assurez-vous qu'aucun objet inflammable ne se trouve sur le poêle de sauna avant de mettre en marche la commande.
- Assurez-vous qu'aucun objet inflammable ne se trouve sur le poêle avant d'activer la fonction de démarrage différé ou le mode veille pour l'activation à distance.
- Assurez-vous qu'aucun objet inflammable ne se trouve sur ou devant l'émetteur infrarouge avant de mettre en marche la commande du sauna.
- Assurez-vous qu'aucun objet inflammable ne se trouve sur ou devant l'émetteur infrarouge avant d'activer la fonction de démarrage différée ou le mode veille pour l'activation à distance.
- Pour votre sécurité, adressez-vous à votre fournisseur si le mode d'emploi ne traite pas exhaustivement de certains problèmes.

3. Description du produit

3.1. Contenu de la livraison

- Commande de sauna
- Sonde de poêle avec dispositif de protection contre la surtempérature intégré
- Matériel de montage

3.2. Accessoires en option

- Sonde de banc (1-009-231/O-F2)
- Sonde de température-humidité (1-010-081/O-FTS2)
- Sonde de film (1-014-445/P-ISX-FF)
- Extension de puissance (1-008-779/O-S2-18, 1-009-280/O-S2-30)
- Bascule d'arrêt (SFE-xxxxx)
- Capteur de porte Home (1-052-723 / SAB00103)
- MySentio Wifi (1-053-313/S-WIFI01)
- MySentio Remote (1-053-314/S-WIFI02)

FR

3.3. Fonctions du produit

La commande de sauna Pro C2 dispose des fonctions suivantes :

- Réglage des poêles avec une puissance de chauffage pouvant monter jusqu'à 10,5 kW pour une plage de température de 30 °C à 110 °C.
- Avec un module d'extension de puissance, la puissance de commutation maximale peut être augmentée de 10,5 kW à 18 kW ou 30 kW.
- Gradation ou commutation d'une lampe de cabine (jusqu'à 100 W)
- Gradation ou commutation d'un ventilateur (jusqu'à 100 W)
- Fonction de démarrage à distance
- Surveillance de porte
- Sortie d'état
- Fonction de démarrage différé (jusqu'à 24 heures)
- Limitation automatique de la durée de chauffage

La commande de sauna s'arrête automatiquement au bout du temps de chauffage maximal pour des raisons de sécurité. Le temps de chauffage maximal peut être réglé sur 6 h, 12 h, 18 h ou 24 h.

- **Sortie supplémentaire**

Au choix : gradation (500 W max.), commutation (3,5 kW max.) ou réglage de la température de cabine par la sortie supplémentaire.

La sortie supplémentaire n'a pas de protection contre la surtempérature. C'est pourquoi seuls des appareils équipés d'un dispositif interne de sécurité peuvent être utilisés sur la sortie supplémentaire.

- Si des émetteurs infrarouges sont utilisés sur la sortie supplémentaire, ils doivent disposer d'une protection contre la surtempérature. Nous préconisons les émetteurs infrarouges suivants :
 - DIR-350-R, WIR-350-R, DIR-500-R, WIR-500-R, DIR-750-R, WIR-750-R, DIR-1300-R, WIR-1300-R
 - ECO-350-R, ECO-350-G, ECO-500-R, ECO-500-G, ECO-750-R.
- Si une des plaques chauffantes à infrarouges suivantes est branchée à la sortie supplémentaire, il faudra employer une sonde de film P-ISX-FF à la mise en service et l'activer dans le menu de configuration (cf. **8.2. Paramètres de menu de configuration**, p. 26):
 - IR-WP-100, IR-WP-175, IR-WP-390, IR-WP-510 ;
 - IR-WPHL-100, IR-WPHL-175, IR-WPHL-390, IR-WPHL-510.

FR

- **Programmes utilisateur**

À l'aide des programmes utilisateur, vous pouvez enregistrer vos réglages de sauna préférés afin de pouvoir y accéder plus facilement. 5 programmes utilisateur préréglés sont à la disposition de l'utilisateur et peuvent être modifiés à sa guise.

- **Programme de séchage final**

Après le mode mixte, le programme de séchage final est démarré automatiquement afin d'éviter la formation de moisissure et de pourriture dans la cabine de sauna. La cabine de sauna est alors chauffée à 80 °C pendant 30 minutes avec le ventilateur activé.

- **Dispositif de protection contre la surtempérature**

Le dispositif de protection contre la surtempérature se trouve dans le boîtier de la sonde de poêle. Si, en raison d'un défaut, le poêle de sauna continue à chauffer une fois la température souhaitée atteinte, le dispositif de protection contre la surtempérature éteint le poêle automatiquement à environ 139 °C.

PRO C3

Ensemble des fonctionnalités de PRO C2 avec, en outre :

- Réglage des poêles mixtes avec une puissance de chauffage de 10,5 kW et jusqu'à une puissance de l'évaporateur de 3,5 kW dans la plage de température de 30 °C à 110 °C et la plage d'humidité de 5 à 100 %.

- Programme de séchage final
Après le mode mixte, le programme de séchage final est démarré automatiquement afin d'éviter la formation de moisissure et de pourriture dans la cabine de sauna. La cabine de sauna est alors chauffée à 80 °C avec le ventilateur activé.
Sélection de la durée possible entre OFF et 60 minutes.

3.4. Modes de fonctionnement du sauna

La commande de sauna PRO B2 permet le fonctionnement en mode sauna. La commande de sauna Pro C3 permet deux modes de fonctionnement : le mode sauna et le mode mixte.

Mode sauna

En mode sauna, la chaleur disponible est très sèche. La température dans la cabine est élevée (de 80 à 100 °C). Les valeurs d'humidité sont faibles (max. 10 %).

Mode mixte

En mode mixte, le poêle de sauna et l'évaporateur fonctionnent. La température dans la cabine du sauna est plus basse (environ de 40 à 65 °C) qu'en mode sauna mais l'humidité de l'air relative est bien plus élevée (de 35 % à environ 70 %). L'humidité de consigne maximale pouvant être réglée dépend de la température du sauna. Plus la température du sauna est élevée, plus la valeur de l'humidité maximale réglable est basse (voir **courbe à la page 12**).

FR

3.5. Modes de fonctionnement des sondes

La commande de sauna peut être utilisée avec une ou deux sondes. La deuxième sonde utilisée peut être une sonde de température (sonde de banc, F2) ou une sonde de température-humidité (FTS2).

Fonctionnement à une sonde (F1)

Le fonctionnement à une sonde doit être activé dans le menu de configuration (voir **8.2. Paramètres de menu de configuration** à la page 26).

Lors du fonctionnement à une sonde, la commande de sauna fonctionne uniquement avec la sonde de poêle équipée du dispositif de protection contre la surtempérature (F1). Celle-ci est comprise dans la livraison.

Lors du fonctionnement à une sonde, la commande de sauna n'affiche par défaut que la température de consigne. La température effective n'est pas affichée. Si, lors du fonctionnement à une sonde, vous souhaitez que la température effective affichée par la commande de sauna soit la température détectée au-dessus du poêle (sonde F1), vous devez activer cette fonction lors de la mise en service (voir **8.2. Paramètres de menu de configuration** à la page 26).

La valeur d'humidité maximale pouvant être réglée varie, lors du fonctionnement à une sonde, selon la température au-dessus du poêle et si l'humidité est cadencée. Sur l'écran de la commande de sauna, seule la valeur de consigne de l'humidité (en % d'humidité de l'air relative) est affichée. L'humidité réelle dans la cabine du sauna dépendant, lorsque l'humidité est cadencée, de la taille de la cabine et de la puissance de l'évaporateur, elle peut diverger de la valeur de consigne réglée.

Fonctionnement à deux sondes avec sonde de banc (F2)

Le fonctionnement à deux sondes est activé par défaut.

En fonctionnement à deux sondes avec sonde de banc, une deuxième sonde de température (sonde de banc) est montée au-dessus du banc arrière du sauna. La commande de sauna indique la température mesurée par la sonde de banc comme température effective.

En fonctionnement à deux sondes avec sonde de banc, l'humidité est cadencée. Sur l'écran de la commande de sauna, seule la valeur de consigne de l'humidité (en % d'humidité de l'air relative) est affichée. L'humidité réelle dans la cabine du sauna dépendant, lorsque l'humidité est cadencée, de la taille de la cabine et de la puissance de l'évaporateur, elle peut diverger de la valeur de consigne réglée.

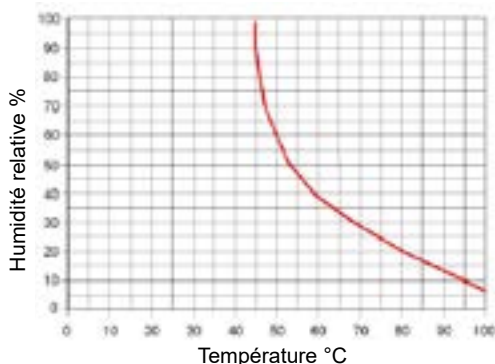
FR

Fonctionnement à deux sondes avec sonde de température-humidité (F2S2)

Le fonctionnement à deux sondes est activé par défaut.

Lorsqu'une sonde de température-humidité est utilisée en fonctionnement à deux sondes, la commande de sauna indique la température mesurée par la sonde de température-humidité comme température effective.

En fonctionnement à deux sondes avec sonde de température-humidité, l'évaporateur est réglé en fonction de l'humidité mesurée dans la cabine. Sur l'écran de la commande de sauna, l'humidité réelle de la cabine de sauna (en % d'humidité de l'air relative) est affichée.



4. Montage

4.1. Montage de la commande de sauna

ATTENTION !

Endommagement de l'appareil

La commande de sauna est protégée contre les projections d'eau, mais un contact direct avec de l'eau peut quand même endommager l'appareil.

- Montez la commande de sauna à un endroit sec où l'humidité de l'air ne dépasse pas 95 %.

ATTENTION !

Les sources d'interférences gênent la transmission des signaux

- Installez tous les câbles des sondes séparément des autres câbles électriques et câbles de commande.
- Protégez simplement les câbles isolés par un tuyau (isolation double).

Lors du montage de la commande de sauna, tenez compte des points suivants :

- La commande de sauna doit être montée en dehors de la cabine de sauna ou conformément aux recommandations du fabricant de la cabine.
- La température ambiante doit être comprise entre -10 °C et +40 °C.
- Toutes les sondes doivent être raccordées avec les câbles de sondes joints qui résistent à une température allant jusqu'à 150 °C.



Les câbles des sondes peuvent être rallongés aux conditions suivantes :

- Utilisez un câble en silicone résistant à des températures allant jusqu'à 150 °C.
 - La section minimale du câble est de 0,5 mm².
 - La longueur des câbles de la sonde de poêle NE doit PAS dépasser 10 m.
-

Pour le montage de la commande de sauna, suivez les étapes suivantes :

1. Vissez deux vis cruciformes (16 mm) à une hauteur d'environ 1,70 m jusqu'à obtenir un écartement de 7 mm dans la paroi du sauna. L'espace entre les deux vis doit être de 145 mm (voir **Fig.1**).

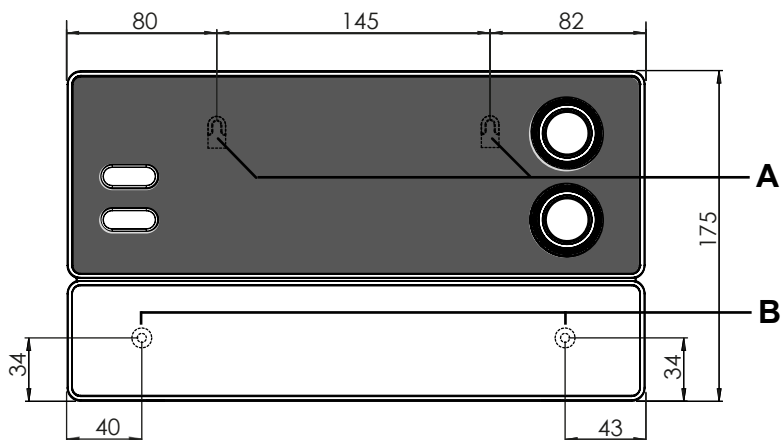


Fig.1 Position du dispositif de suspension et des ouvertures de montage (mesures en mm)

2. Appuyez légèrement dans les fermetures à déclic **C** avec un tournevis et retirez le couvercle du boîtier (voir **Fig.2**).
3. Accrochez la commande de sauna à l'aide du dispositif de suspension **A** aux vis cruciformes montées (voir **Fig.1**).
4. Vissez deux vis cruciformes (16 mm) dans les ouvertures de fixation inférieures **B** (voir **Fig.1**).

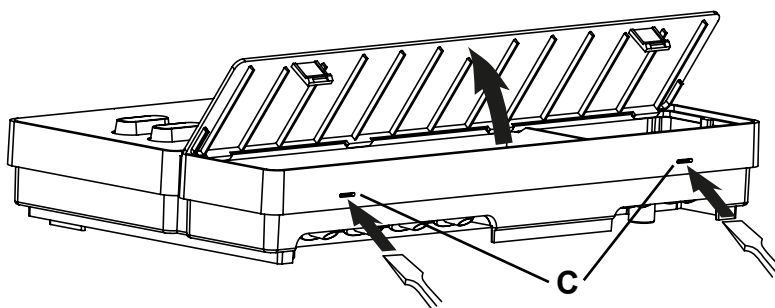


Fig.2 Retrait du couvercle du boîtier

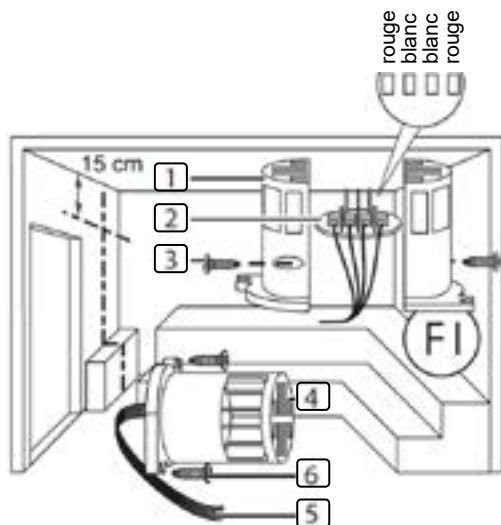
4.2. Montage de la sonde de poêle F1 avec dispositif de protection contre la surtempérature

Lors du montage de la sonde de poêle, tenez compte des points suivants :

- La sonde de poêle est montée sur la paroi arrière du poêle, dans la moitié supérieure du poêle. Respectez une distance de 15 cm environ par rapport au plafond de la cabine.
- La sonde de poêle doit être posée de sorte à ne pas être influencée par l'air entrant.

Pour le montage de la sonde de poêle, suivez les étapes suivantes (voir **Fig.3**) :

1. Faites passer les deux câbles bipolaires de la sonde de poêle dans la paroi de la cabine du sauna jusqu'à l'emplacement de montage de la sonde de poêle et fixez les câbles de la sonde de poêle avec des serre-câbles.
2. Séparez les demi-coquilles 1 de la sonde de poêle l'une de l'autre.
3. Branchez les quatre raccordements du câble de la sonde de poêle 5 conformément à la **Fig.3**.
4. Posez la plaque de raccordement 2 en travers (voir **Fig.3**) dans les demi-coquilles de la sonde de poêle.
5. Fermez les demi-coquilles, vissez-les à l'aide des deux vis cruciformes 3 (9 mm) et vérifiez que la sonde de poêle est bien fermée.
6. Montez la sonde de poêle sur la paroi arrière du poêle à l'aide des deux vis à bois 6 (16 mm).



- 1 Demi-coquilles de la sonde de poêle
- 2 Plaque de raccordement
- 3 Vis cruciformes (9 mm)
- 4 Sonde de poêle
- 5 Câbles de sonde de poêle
- 6 Vis à bois (16 mm)

Fig.3 Montage de la sonde de poêle

4.3. Montage de la sonde de banc F2 (en option)

La sonde de banc est montée dans la paroi de la cabine au-dessus du banc arrière. Respectez une distance de 15 cm environ par rapport au plafond de la cabine.

Pour le montage de la sonde de banc, suivez les étapes suivantes :

1. Faites passer le câble bipolaire de la sonde de banc dans la paroi de la cabine du sauna jusqu'à l'emplacement de montage de la sonde de banc et fixez les câbles de la sonde de banc avec des serre-câbles.
2. Séparez les demi-coquilles de la sonde de banc l'une de l'autre.
3. Branchez les deux raccordements du câble de la sonde de banc sur les deux bornes du milieu de la plaque de raccordement.
4. Posez la plaque de raccordement en travers dans les demi-coquilles de la sonde de banc.
5. Fermez les demi-coquilles et vissez-les avec les deux vis cruciformes (9 mm).
6. Vérifiez que la sonde de banc est correctement fermée.
7. Montez la sonde de banc sur la paroi de la cabine à l'aide des deux vis à bois jointes (16 mm). Respectez une distance de 15 cm par rapport au plafond de la cabine.

FR

4.4. Montage de la sonde de température-humidité FTS2 (en option, seulement PRO C3)

La sonde de température-humidité est montée sur la paroi de la cabine au-dessus du banc arrière. Respectez une distance de 15 cm environ par rapport au plafond de la cabine.

Pour le montage de la sonde de température-humidité, suivez les étapes suivantes :

1. Faites passer le câble à 5 pôles de la sonde dans la paroi de la cabine du sauna jusqu'à l'emplacement de montage de la sonde de température-humidité et fixez les câbles de la sonde avec des serre-câbles.
2. Montez la sonde de température-humidité sur la paroi de la cabine à l'aide des deux vis à bois jointes (16 mm). Respectez une distance de 15 cm par rapport au plafond de la cabine.

4.5. Montage de la sonde de film (en option)

Si un plateau chauffant infrarouge est raccordé à la sortie supplémentaire, une sonde de film P-ISX-FF doit être utilisée.

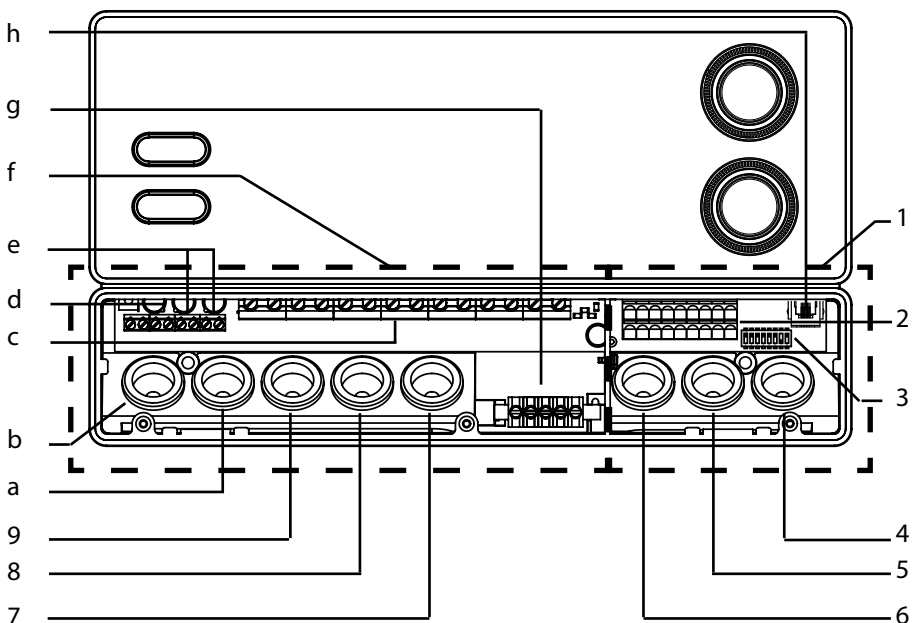
- Lors du montage de la sonde de film, conformez-vous au mode d'emploi des plaques chauffantes infrarouges.
- Activez l'exploitation de la sonde de film (cf. **8.2. Paramètres de menu de configuration** à la page **26** dans le menu de configuration).

5. Branchements électriques

ATTENTION !

Endommagement de l'appareil

- La commande de sauna doit uniquement être utilisée pour la commande et le réglage de 3 cycles de chauffage avec une puissance de 3,5 kW max. par cycle. La puissance maximale de l'évaporateur (seulement PRO C3) est de 3,5 kW. La puissance maximale de la sortie supplémentaire est de 3,5 kW.



1 Zone de raccordement pour très basse tension

2 Bloc de jonction pour arrêt de sécurité, démarrage à distance, sortie d'état et câbles de sondes

3 Commutateur de sélection de fonctions

4 Passage de câbles pour sonde F2, sonde FTS2 et sonde de film

5 Passage de câbles pour sonde F1 et sortie d'état

6 Passage de câbles pour arrêt de sécurité et démarrage à distance

7 Passage de câbles pour évaporateur et sortie supplémentaire

8 Passage de câbles pour câble de poêle

9 Passage de câbles pour câble d'alimentation

a Passage de câbles pour module d'extension de puissance

b Passage de câbles pour éclairage et ventilation

c Bloc de jonction pour câble de poêle, câble d'évaporateur, câble d'alimentation et appareil supplémentaire

d Bloc de jonction pour éclairage et ventilation

e Bloc de jonction pour module d'extension de puissance

f Zone de raccordement pour 230 V/400 V

g Fil de terre

h Connecteur RJ45 pour RS-485 et MySento Wifi

Lors du raccordement électrique de la commande de sauna, tenez compte des points suivants :

- Seul un électricien spécialisé ou une personne ayant une qualification similaire



Pour bénéficier de la garantie, vous devez présenter une copie de la facture de l'électricien ayant effectué le branchement.

est habilité à procéder au montage.

- Les travaux sur la commande de sauna doivent être effectués uniquement lorsque l'appareil n'est pas sous tension.
- L'alimentation électrique doit être assurée par un raccordement fixe.
- Un dispositif de coupure totale du circuit sur tous les pôles (catégorie de surtension III) doit être prévu par le client.
- Respectez le schéma de raccordement (**Fig.4**) à la page **23**.

5.1. Branchement du câble d'alimentation, du poêle et de l'évaporateur

FR

1. Faites passer le câble d'alimentation et le câble de poêle et d'évaporateur (seulement PRO C3) dans les passages de câbles 9, 8, 7 dans la zone de raccordement pour 230 V/400 V f.
2. Branchez les câbles de raccordement conformément au schéma de raccordement sur le bloc de jonction c. Conformez-vous au mode d'emploi des différents appareils.
3. Si l'évaporateur ne dispose pas d'un affichage automatique en cas de manque d'eau, suivez les étapes suivantes :
 - Reliez la borne « **V1** » à la borne « **Wm** » à l'aide du fil de liaison joint.

5.2. Branchement de l'éclairage

1. Faites passer le câble d'éclairage dans le passage de câbles b dans la zone de raccordement pour 230 V/400 V f.
2. Branchez le câble d'éclairage conformément au schéma de raccordement sur le bloc de jonction d. Conformez-vous au mode d'emploi de chaque appareil.

5.3. Branchement du ventilateur (en option)

1. Faites passer le câble du ventilateur dans le passage de câbles b dans la zone de raccordement pour 230 V/400 V f.
2. Branchez le câble du ventilateur conformément au schéma de raccordement sur le bloc de jonction d. Conformez-vous au mode d'emploi de chaque appareil.

5.4. Branchement de la sortie supplémentaire (en option)

La sortie supplémentaire peut, par exemple, être utilisée pour un émetteur infrarouge ou des plaques chauffantes infrarouges.

1. Faites passer le câble de raccordement de l'appareil supplémentaire dans les passages de câbles 7 dans la zone de raccordement pour 230 V/400 V f.
2. Branchez les câbles de raccordement conformément au schéma de raccordement sur le bloc de jonction c. Conformez-vous au mode d'emploi et aux consignes de sécurité de chaque appareil.



AVERTISSEMENT !

Risque d'incendie

La sortie supplémentaire n'a pas de protection contre la surtempérature. C'est pourquoi seuls des appareils équipés d'un dispositif interne de sécurité peuvent être utilisés sur la sortie supplémentaire.

- Si des émetteurs infrarouges sont utilisés sur la sortie supplémentaire, ils doivent disposer d'une protection contre la surtempérature.
- Si des plaques chauffantes à infrarouges sont branchées à la sortie supplémentaire, il faudra employer et activer une sonde de film P-ISX-FF dans le menu des techniciens (cf. **8.2. Paramètres de menu de configuration** à la page 26).

FR

5.5. Branchement du module d'extension de puissance (en option)

1. Faites passer le câble du module d'extension de puissance dans le passage de câbles a dans la zone de raccordement pour 230 V/400 V f.
2. Branchez le câble du module d'extension de puissance conformément au schéma de raccordement sur le bloc de jonction e. Utilisez la borne « **ST1** » pour le circuit de sécurité et la borne « **ST2** » pour le circuit de commande. Conformez-vous au mode d'emploi de chaque appareil.

5.6. Branchement de la sonde de poêle F1

1. Faites passer les câbles de la sonde de poêle dans le passage de câbles 5 dans la zone de raccordement pour très basse tension 1.
2. Raccordez les câbles rouges de la sonde de poêle aux bornes portant l'inscription « **STB** » sur le bloc de jonction 2.
3. Raccordez les câbles blancs de la sonde de poêle aux bornes portant l'inscription « **F1** » sur le bloc de jonction 2.

5.7. Branchement de la sonde de banc F2 (en option)

1. Faites passer les câbles de la sonde de banc dans le passage de câbles 4 dans la zone de raccordement pour très basse tension 1.
2. Raccordez les câbles de la sonde de banc aux bornes portant l'inscription « **F2** » sur le bloc de jonction 2.

5.8. Raccordement de la sonde de température-humidité FTS2 (en option, seulement PRO C3)

1. Faites passer les câbles de la sonde dans le passage de câbles 4 dans la zone de raccordement pour très basse tension 1.
2. Raccordez les câbles de la sonde de température aux bornes portant l'inscription « **F2** » sur le bloc de jonction 2.
 - a. Branchez le câble noir à la borne de droite.
 - b. Branchez le câble marron à la borne de gauche.
3. Raccordez les câbles de la sonde d'humidité aux bornes portant l'inscription « **+ S -** » sur le bloc de jonction 2.
 - c. Branchez le câble vert à la borne « **+** ».
 - d. Branchez le câble orange à la borne « **S** ».
 - e. Branchez le câble rouge à la borne « **-** ».

FR

5.9. Raccordement du capteur du film (en option)

1. Faites passer les câbles de la sonde dans le passage de câbles 4 dans la zone de raccordement pour très basse tension 1.
2. Raccordez les câbles de la sonde aux bornes portant l'inscription « **FF** » sur le bloc de jonction 2.

5.10. Branchement du dispositif d'arrêt de sécurité/capteur de porte

Selon la norme EN 60335-2-53, les commandes de sauna avec actionnement à distance ne doivent être utilisées que pour la commande et le réglage d'un poêle de sauna qui a passé avec succès le contrôle défini au paragraphe 19.101. Un dispositif d'arrêt de sécurité/dispositif d'ouverture de porte adapté peut également être installé. Le poêle du sauna est ainsi arrêté lorsque des objets, par exemple une serviette, sont posés sur le poêle, ou lorsque la porte du sauna est ouverte.

Pour le montage du dispositif d'arrêt de sécurité, suivez les étapes suivantes :

1. Montez le dispositif d'arrêt de sécurité conformément au mode d'emploi de l'appareil.
2. Faites passer les câbles du dispositif d'arrêt de sécurité dans le passage de câbles 6 dans la zone de raccordement pour très basse tension 1.
3. Raccordez les câbles aux bornes portant l'inscription « **OSG** » sur le bloc de jonction 2.



S'il n'y a pas de dispositif d'arrêt de sécurité, pontez les bornes portant l'inscription « **OSG** » à l'aide d'un fil de liaison.

FR

5.11. Activation à distance

Le raccordement se fait via les bornes « **S** », « **B** » et « **C** ». « **S** » correspond au mode sauna et « **C** » au mode évaporateur. « **B** » est une sortie +24 V CC. Celle-ci doit être commutée par un commutateur ou un actionneur sur la borne correspondant au mode de fonctionnement souhaité.

5.12. Sortie d'état

N'importe quel consommateur adapté à une tension de 24 V CC et une intensité maximum de 200 mA peut être raccordé à la borne de sortie d'état. Vérifiez que la polarité est correcte lors du raccordement. Lors de l'utilisation de LED, utilisez une résistance protectrice adaptée.

5.13. Fin de l'installation

1. Raccordez le fil de terre du câble d'alimentation et de tous les appareils à la borne de terre g.
2. Placez le couvercle du boîtier sur le bord supérieur de la boîte de raccordement.
3. Appuyez légèrement les fermetures à déclic vers l'intérieur et abaissez le couvercle du boîtier jusqu'à ce que vous entendiez un clic d'enclenchement.

6. Exécution des contrôles



AVERTISSEMENT !

Les contrôles suivants doivent être effectués sous tension. Attention au risque d'électrocution.

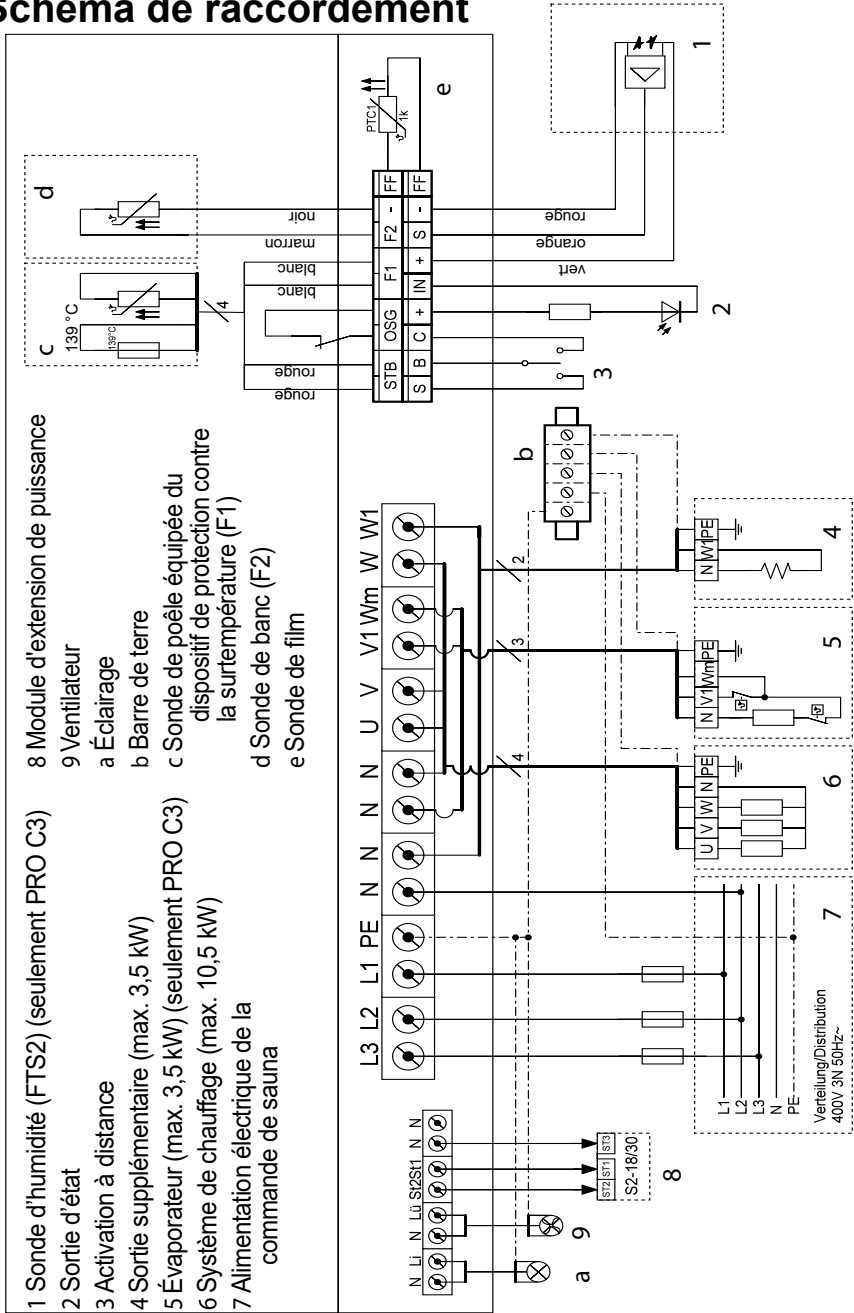
- Ne touchez JAMAIS de pièces conductrices sous tension.

Les contrôles suivants doivent être exécutés par un installateur-électricien agréé.

1. Contrôlez le contact des câbles de terre à la borne de mise à la terre.
2. Contrôlez le dispositif de protection contre la surtempérature de la sonde de poêle F1.
 - a. Mettez la commande de sauna en marche.
 - b. Ouvrez la sonde de poêle et débranchez un des deux câbles rouges de la sonde de poêle.
 - ▶ Un signal sonore répétitif retentit, le message « Err » apparaît sur l'écran supérieur, « 02 » apparaît sur l'écran inférieur.
 - ▶ La commande éteint le poêle.
 - c. Arrêtez la commande de sauna.
 - d. Rebranchez le câble rouge de la sonde de poêle.
 - e. Débranchez maintenant un des câbles blancs de la sonde de poêle.
 - f. Mettez la commande de sauna en marche.
 - ▶ Un signal sonore répétitif retentit, le message « Err » apparaît sur l'écran supérieur, « 04F1 » apparaît sur l'écran inférieur.
 - ▶ La commande éteint le poêle.
 - g. Arrêtez la commande de sauna.
 - h. Rebranchez le câble blanc de la sonde de poêle.
3. Vérifiez la commutation des phases pour le mode sauna de L1, L2, L3 à U, V, W.
4. Avec PRO C3 : Vérifiez la commutation des phases pour le mode évaporateur de L1, L2, L3 en U, V1, W.
5. Vérifiez la commutation des phases de L3 à W1 en activant l'appareil raccordé à la sortie supplémentaire.
6. Contrôlez la puissance de chauffage maximale autorisée sur la commande de sauna (3,5 kW par phase).
7. En présence d'un module d'extension de puissance optionnel
 - a. Contrôlez les câbles de commande ST1, ST2 et ST3.
 - b. Contrôlez la puissance de chauffage maximale sur le module d'extension de puissance S2-18 de 3 kW pour chaque phase.
 - c. Contrôlez la puissance de chauffage maximale sur le module d'extension de puissance S2-30 de 7 kW pour chaque phase.

7. Schéma de raccordement

Fig.4 Schéma de raccordement



- 1 Sonde d'humidité (FTS2) (seulement PRO C3)
- 2 Sortie d'état
- 3 Activation à distance
- 4 Sortie supplémentaire (max. 3,5 kW)
- 5 Évaporateur (max. 3,5 kW) (seulement PRO C3)
- 6 Système de chauffage (max. 10,5 kW)
- 7 Alimentation électrique de la commande de sauna
- 8 Module d'extension de puissance
- 9 Ventilateur
- a Éclairage
- b Barre de terre
- c Sonde de poêle équipée du dispositif de protection contre la surtempérature (F1)
- d Sonde de banc (F2)
- e Sonde de film

8. Mise en service

8.1. Réglage du commutateur de sélection de fonctions

Vous pouvez activer différentes fonctions du produit à l'aide du commutateur de sélection de fonctions qui se trouve dans la zone de raccordement pour très basse tension. L'illustration de droite représente le réglage standard du commutateur de sélection de fonctions.

Veillez à ce que la commande soit éteinte pendant 10 secondes après les modifications, et ce afin d'enregistrer les réglages.

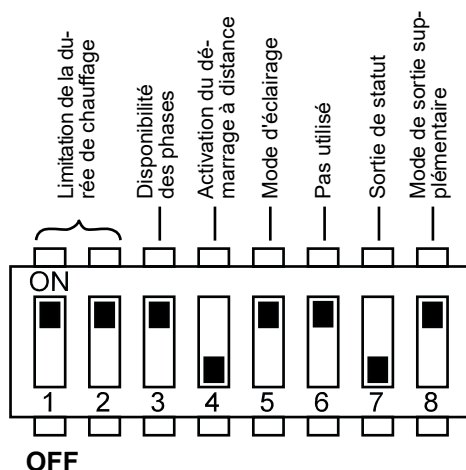


Fig.5 Commutateur de sélection de fonctions - réglage standard

Réglage de la limitation de la durée de chauffage

La durée de chauffage maximale est réglée par défaut sur 6 h. La commande de sauna s'arrête automatiquement au bout du temps de chauffage maximal pour des raisons de sécurité.

Vous pouvez régler la durée de chauffage maximale sur 12 h, 18 h ou 24 h à l'aide du commutateur de sélection de fonctions dans la zone de raccordement pour très basse tension.

Vous trouverez pour cela les positions du commutateur de sélection de fonctions dans le tableau de droite.

Sélecteur de fonction	1	2
6 h	ON	ON
12 h	OFF	ON
18 h	ON	OFF
24 h	OFF	OFF

La norme EN 60335-2-53 prévoit une limitation de la durée de chauffage à 6 h maximum pour les saunas privés. Pour les saunas dans les hôtels, les immeubles et les endroits similaires, la limitation de la durée de chauffage peut atteindre un maximum autorisé de 12 h. Une extension de la limitation de la durée de chauffage à 18 h ou à 24 h est autorisée pour les saunas publics uniquement.

Activation/désactivation de la disponibilité des phases

Le commutateur de sélection de fonctions **3** permet d'activer ou de désactiver la disponibilité des phases.

- Le commutateur de sélection de fonctions **3** se trouve par défaut en position ON. La disponibilité des phases est donc activée.
- Si vous souhaitez désactiver la disponibilité des phases, placez le commutateur de sélection de fonctions **3** en position OFF.

Activation du démarrage à distance

Le commutateur de sélection de fonctions **4** permet de sélectionner la fonction de la sortie de démarrage à distance (voir EN60335-2-53).

- Le commutateur de sélection de fonctions **4** se trouve par défaut en position OFF. Le démarrage à distance est activé en utilisant « Mode de veille d'accionnement à distance ».
- Si vous souhaitez activer la sortie de démarrage à distance pour divers appareils (par exemple monnayeur, système de démarrage à distance, surveillance de porte), mettez le commutateur de sélection de fonctions **4** en position ON.

FR

Réglage du mode de fonctionnement de l'éclairage

L'éclairage de la cabine est soit variable soit commutable. La fonction de gradation est activée et désactivée par le commutateur de sélection de fonctions **5**.

- Le commutateur de sélection de fonctions **5** se trouve par défaut en position ON. La fonction de gradation est donc activée.
 - ▶ Pour modifier la courbe de variation reportez-vous à « **Modification de la courbe de gradation d'éclairage** » à la page **29**.
- Si vous souhaitez désactiver la fonction de gradation lumineuse de la cabine, placez le commutateur de sélection de fonctions **5** en position OFF.

Sortie d'état

Le commutateur de sélection de fonctions **7** permet de choisir si la sortie de statut est activée pendant le fonctionnement du sauna ou pendant le programme de séchage final. L'activation pendant le programme de séchage final permet le vidage automatique de l'évaporateur dans les poêles mixtes avec fonction de remplissage automatique.

- Le commutateur de sélection de fonctions **7** se trouve par défaut en position OFF. La sortie de statut est donc activée pendant le fonctionnement du sauna.
- Si vous souhaitez activer la sortie de statut pendant le programme de séchage final, placez le commutateur de sélection de fonctions **7** en position ON.

Réglage du mode de fonctionnement de la sortie supplémentaire

La sortie supplémentaire est soit variable soit commutable. La fonction de gradation est activée et désactivée par le commutateur de sélection de fonctions **8**.

- Le commutateur de sélection de fonctions **8** se trouve par défaut en position ON. La fonction de gradation est donc activée.
- Si vous souhaitez désactiver la fonction de gradation de la sortie supplémentaire, placez le commutateur de sélection de fonctions **8** en position OFF.

8.2. Paramètres de menu de configuration

Appel du menu de configuration

De plus amples réglages peuvent être effectués dans le menu de configuration. Procédure d'accès au menu de configuration :

1. Arrêtez la commande de sauna.
2. Appuyez simultanément sur le bouton de réglage inférieur et sur le commutateur MARCHE/ARRÊT.
 - ▶ Sur l'écran supérieur, le message « SEtt » apparaît.
 - ▶ Les deux boutons de réglage clignotent.

FR



Quitter le menu de configuration permet d'enregistrer automatiquement les paramètres (cf. **Sortie du menu de configuration, p. 30**).

Activation du fonctionnement à une sonde

Lors du fonctionnement à une sonde, la commande de sauna fonctionne uniquement avec la sonde de poêle équipée du dispositif de protection contre la surtempérature (sonde F1). Le fonctionnement à deux sondes est activé par défaut. Si vous souhaitez activer le fonctionnement à une sonde, suivez les étapes suivantes :

1. Affichez le menu de configuration (voir **26**).
2. Tournez le bouton rotatif supérieur sur le symbole de température (position **A** – voir étape **9.2** page **31**).
 - ▶ Le symbole de température clignote.
 - ▶ Sur l'écran supérieur, le message « SEnB » apparaît.
 - ▶ Sur l'écran inférieur, le message « On » apparaît.
(« On » indique un fonctionnement à deux sondes actif.)
3. Tournez le bouton rotatif inférieur vers la gauche.
 - ▶ Sur l'écran inférieur, le message « OFF » apparaît.
 - ▶ Le fonctionnement à une sonde est donc activé.

Affichage de la température du poêle en fonctionnement à une sonde

Lors du fonctionnement à une sonde, la commande de sauna n'affiche par défaut que la température de consigne. La température effective n'est pas affichée. Si, lors du fonctionnement à une sonde, vous souhaitez que la température effective affichée par la commande de sauna soit la température détectée au-dessus du poêle (sonde F1), vous devez sélectionner cette fonction dans le menu de configuration.

1. Affichez le menu de configuration (voir page **26**)
2. Activez le fonctionnement à une sonde (voir page **26**).
 - ▶ Sur l'écran inférieur, le message « SEnB » est affiché.
 - ▶ Sur l'écran inférieur, le message « OFF » est affiché.
3. Appuyez sur le bouton rotatif inférieur.
 - ▶ Sur l'écran supérieur, le message « DISP » apparaît.
 - ▶ L'écran inférieur affiche « SEt » (en fonctionnement à une sonde, seule la température de consigne est affichée.)
4. Tournez le bouton rotatif inférieur vers la gauche.
 - ▶ L'écran inférieur affiche « SEnS » (la température du poêle (sonde F1) est affichée en tant que température effective lors du fonctionnement à une sonde.)

FR

Réduction de la température maximale à 105 °C

Par défaut, la température de consigne peut être réglée entre 30 °C et 110 °C. Si vous souhaitez abaisser la température maximale de 110 °C à 105 °C, suivez les étapes suivantes :

1. Affichez le menu de configuration (voir **26**).
2. Tournez le bouton rotatif supérieur sur le symbole de température (position **A** – voir étape **9.2** page).
 - ▶ Le symbole de température clignote.
 - ▶ Sur l'écran supérieur, le message « SEnB » apparaît.
3. Appuyez sur le bouton rotatif inférieur jusqu'à ce que le message « tHI » apparaisse sur l'écran supérieur.
 - ▶ Sur l'écran inférieur, le message « 110 » apparaît.
4. Tournez le bouton rotatif inférieur vers la gauche.
 - ▶ L'écran inférieur affiche « 105 » (température maximale réglée sur 105 °C)

Activation de l'affichage simultané de la température et de l'humidité

Procédure d'activation de l'affichage simultané de la température et de l'humidité :

1. Affichez le menu de configuration (voir **26**).

2. Tournez le bouton rotatif supérieur sur le symbole de température (position **A** – voir étape **9.2** page **31**).
 - ▶ Le symbole de température clignote.
 - ▶ L'écran supérieur affiche « SENB ».
3. Appuyez plusieurs fois sur le bouton rotatif inférieur jusqu'à ce que le message « ISt2 » apparaisse sur l'écran supérieur.
4. La rotation du bouton inférieur à gauche ou à droite permet d'activer ou de désactiver la fonction.

Activation du mode évaporateur simple (seulement PRO C3)

Le réglage d'usine ne permet qu'une mise en service commune de l'évaporateur et du système de chauffage. Il faut activer cette fonction pour exploiter l'évaporateur sans système de chauffage. Pour cela, suivez les étapes suivantes :

1. Affichez le menu de configuration (voir **26**).
2. Tournez le bouton rotatif supérieur sur le symbole d'humidité (position **B** – voir étape **9.2** page **31**).
 - ▶ Le symbole d'humidité clignote.
 - ▶ L'écran supérieur affiche « SIn ».
 - ▶ L'écran inférieur affiche « OFF » (mode évaporateur simple désactivé)
3. Tournez le bouton rotatif inférieur vers la droite.
 - ▶ L'écran inférieur affiche « On » (mode évaporateur simple activé)

Réglage de la durée du programme de séchage final (seulement PRO C3)

Par défaut, la durée maximale du programme de séchage final est réglée sur 30 min. Si vous souhaitez modifier ce réglage, suivez les étapes suivantes :

1. Affichez le menu de configuration (voir **26**).
2. Tournez le bouton rotatif supérieur sur le symbole d'humidité (position **B**).
 - ▶ Le symbole d'humidité clignote.
 - ▶ L'écran supérieur affiche « SIn ».
3. Appuyez sur le bouton rotatif inférieur.
 - ▶ L'écran inférieur affiche « t30 ».
4. Tournez le bouton rotatif inférieur (sélection 0 - 60 ; 0 = programme de séchage final désactivé ; 60 = durée de fonctionnement maximale en minutes)

Activation/désactivation de la sonde de film

Si des plateaux chauffants infrarouges sont raccordés à la sortie supplémentaire, une sonde de film P-ISX-FF doit être utilisée. La sonde de film doit être activée. Pour cela, suivez les étapes suivantes :

1. Affichez le menu de configuration (voir **26**).
2. Tournez le bouton rotatif supérieur sur le symbole de sortie supplémentaire (position **C** – voir point **9.2** à la page **31**).
 - ▶ Le symbole de sortie supplémentaire s'allume.
 - ▶ Sur l'écran supérieur, le message « SEnF » apparaît.
 - ▶ Sur l'écran inférieur, le message « OFF » apparaît. (sonde de film désactivée)
3. Tournez le bouton rotatif inférieur vers la droite.
 - ▶ L'écran inférieur affiche « On » (sonde de film activée)

Modification de la courbe de gradation d'éclairage

La fonction de gradation ayant un effet différent sur les ampoules et les diodes, il est possible de sélectionner une courbe de gradation en fonction du système d'éclairage employé.

FR

1. Affichez le menu de configuration (voir **26**).
2. Tournez le bouton rotatif supérieur sur le symbole d'éclairage (position **D** – voir étape **9.2** page **31**).
 - ▶ Le symbole de l'éclairage s'allume.
 - ▶ L'écran supérieur affiche « tYPE ».
 - ▶ L'écran inférieur affiche « BULB ».
(« BULB » signifie que la courbe de gradation des ampoules est activée.)
3. Tournez le bouton rotatif inférieur vers la gauche.
 - ▶ L'écran inférieur affiche « LED ».
(« BULB » signifie que la courbe de gradation des LED est activée.)

Réglage du mode de fonctionnement du ventilateur

Le ventilateur est soit variable soit commutable. Par défaut, la fonction de gradation du ventilateur est activée. Si vous souhaitez désactiver la fonction de gradation du ventilateur, suivez les étapes suivantes :

1. Affichez le menu de configuration (voir **26**).
2. Tournez le bouton rotatif supérieur sur le symbole de ventilateur (position **E** – voir étape **9.2** page **31**).
 - ▶ Le symbole de ventilateur s'allume.
 - ▶ Sur l'écran supérieur, le message « FAn » apparaît.
 - ▶ Sur l'écran inférieur, le message « On » apparaît.
(« On » indique une fonction de gradation activée.)

3. Tournez le bouton rotatif inférieur vers la gauche.
 - ▶ Sur l'écran inférieur, le message « OFF » apparaît.
 - ▶ La fonction de gradation du ventilateur est désactivée.

Activation du dispositif d'arrêt de sécurité/capteur de porte

Par défaut, le dispositif d'arrêt de sécurité est activé. Si vous souhaitez activer la fonction du dispositif d'ouverture de porte, suivez les étapes suivantes :

1. Affichez le menu de configuration (voir **26**).
2. Tournez le bouton rotatif supérieur sur le symbole de démarrage à distance (position **J** – voir point **9.2** à la page **31**).
 - ▶ Le symbole d'activation à distance clignote.
 - ▶ L'écran supérieur affiche « SdO ».
 - ▶ L'écran inférieur affiche « SAFE ».
3. Tournez le bouton rotatif inférieur vers la droite.
 - ▶ L'écran inférieur affiche « door ».
 - ▶ Le capteur de porte est activé.

FR

Versión de logiciel

Afin de prendre connaissance de la version de logiciel de votre commande de sauna, procédez de la manière suivante :

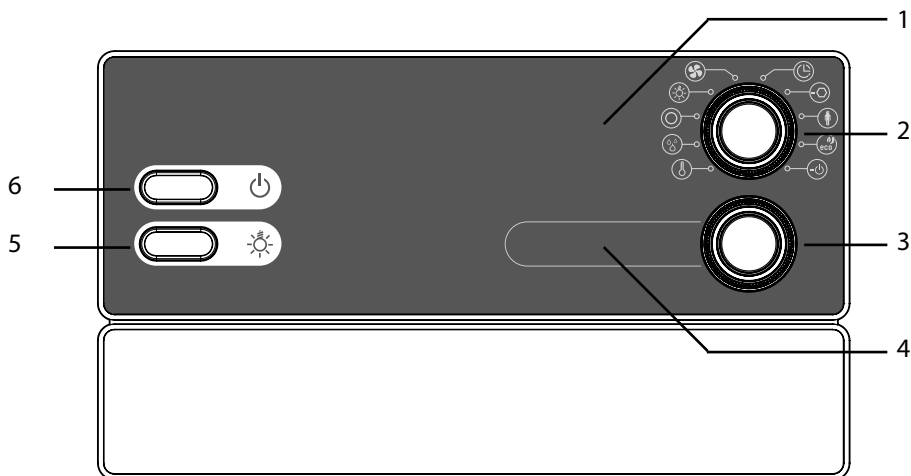
1. Affichez le menu de configuration (voir **26**).
2. Tournez le bouton rotatif supérieur sur le symbole Eco (position **I** – voir point **9.2** à la page **31**).
 - ▶ L'écran supérieur affiche la version du logiciel « 5.00.5 ».

Sortie du menu de configuration

- Appuyez sur le bouton rotatif inférieur et maintenez-le enfoncé pendant une seconde.
 - ▶ Le bouton rotatif inférieur arrête de clignoter.
 - ▶ Le bouton rotatif supérieur s'allume.
 - ▶ Vous êtes bien sorti du menu de configuration.
 - ▶ Vos réglages ont été enregistrés.

9. Éléments de commande

9.1. Désignation des éléments de commande



1 Affichage supplémentaire

2 Sélecteur de fonction

3 Sélecteur d'intensité

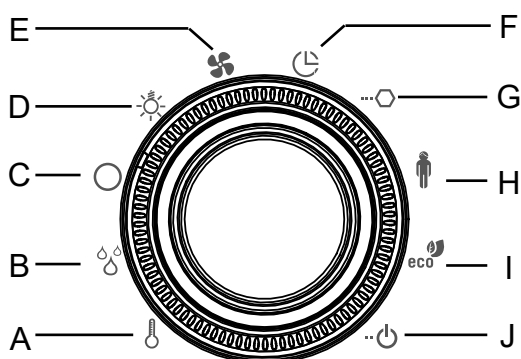
4 Affichage de l'intensité

5 Commutateur d'éclairage

6 Commutateur MARCHÉ/ARRÊT

9.2. Sélecteur de fonction

À l'aide du sélecteur de fonction 2, définissez quelles fonctions doivent être modifiées avec le sélecteur d'intensité 3. Le sélecteur de fonction 2 s'allume lorsque la commande de sauna est en marche.



A Température

B Humidité (seulement PRO C3)

C Sortie supplémentaire

D Éclairage

E Ventilateur

F Marche programmée

G Durée

H Programmes utilisateur

I Fonction ÉCO

J Démarrage à distance

9.3. Sélecteur d'intensité

À l'aide du sélecteur d'intensité 3, vous pouvez modifier l'intensité et la puissance de chaque fonction choisie par l'intermédiaire du sélecteur de fonction 2.

- Tournez le sélecteur d'intensité 3 vers la droite pour augmenter la puissance.
- Tournez le sélecteur d'intensité 3 vers la gauche pour diminuer la puissance.

Si vous appuyez sur le sélecteur d'intensité 3, vous démarrez la fonction choisie par le sélecteur de fonction 2.

- Le sélecteur d'intensité 3 s'allume lorsque la fonction choisie par le sélecteur de fonction 2 est activée.

10. Utilisation

10.1. Allumage de l'éclairage

L'éclairage de la cabine de sauna peut être allumé et éteint indépendamment du commutateur MARCHE/ARRÊT 6.

FR

- Pour allumer ou éteindre l'éclairage, appuyez sur le commutateur d'éclairage 5.



Quand le commutateur d'éclairage 5 est allumé, l'éclairage de la cabine s'allume à la puissance maximale. Si vous souhaitez varier la puissance de l'éclairage à l'aide du sélecteur d'intensité 3 éteignez le commutateur d'éclairage 5.

10.2. Mise en marche de la commande de sauna

- Appuyez sur le commutateur MARCHE/ARRÊT 6 pour mettre la commande de sauna en marche.
 - ▶ Le sélecteur de fonction 2 s'allume.



Fonctions principales

1. Tournez le sélecteur de fonction 2 sur la fonction (sauna, humidité, éclairage, ventilation, sortie supplémentaire) que vous souhaitez démarrer.
2. À l'aide du sélecteur d'intensité 3, choisissez l'intensité souhaitée de la fonction.
3. Appuyez sur le sélecteur d'intensité 3 pour démarrer ou arrêter la fonction.



Lorsque vous arrêtez le poêle de sauna (fonction de température **A**), l'évaporateur (fonction d'humidité **B**) s'arrête automatiquement.

10.3. Activation du mode sauna



AVERTISSEMENT !

Risque d'incendie

Des objets inflammables se trouvant sur le poêle du sauna peuvent s'enflammer et provoquer des incendies.

- NE placez JAMAIS de matériaux inflammables sur le poêle de sauna.
- Assurez-vous qu'AUCUN objet inflammable ne se trouve sur le poêle de sauna avant d'allumer la commande.

1. Tournez le sélecteur de fonction 2 sur la position **A** (température).
 - ▶ Le symbole de température s'allume.
2. Réglez la température souhaitée à l'aide du sélecteur d'intensité 3.
3. Appuyez sur le sélecteur d'intensité 3.
 - ▶ Le poêle de sauna se met en marche et commence à chauffer.
 - ▶ Le sélecteur d'intensité 3 s'allume.
 - ▶ La température actuelle de la cabine apparaît sur l'affichage d'intensité
4. Lors du fonctionnement à une sonde, la température de consigne est affichée.

FR

10.4. Démarrage du mode mixte (seulement PRO C3)

1. Tournez le sélecteur de fonction 2 sur la position **A** (température).
 - ▶ Le symbole de température s'allume.
2. Réglez la température souhaitée à l'aide du sélecteur d'intensité 3.
3. Appuyez sur le sélecteur d'intensité 3.
 - ▶ Le poêle de sauna se met en marche et commence à chauffer.
 - ▶ Le sélecteur d'intensité 3 s'allume.
 - ▶ La température actuelle de la cabine apparaît sur l'affichage d'intensité
4. Lors du fonctionnement à une sonde, la température de consigne est affichée.
4. Tournez le sélecteur de fonction 2 sur la position **B** (humidité).
 - ▶ Le symbole d'humidité s'allume.
 - ▶ Le sélecteur d'intensité 3 s'éteint.
5. Choisissez l'humidité souhaitée à l'aide du sélecteur d'intensité 3.

6. Appuyez sur le sélecteur d'intensité 3.
- ▶ L'évaporateur est mis en marche.
 - ▶ Le sélecteur d'intensité 3 s'allume.
 - ▶ L'humidité actuelle de la cabine apparaît sur l'affichage d'intensité 4. Si aucune sonde de température-humidité n'est installée, l'humidité de consigne est affichée.



L'évaporateur (fonction d'humidité **B**) ne peut être démarré que lorsque le poêle de sauna (fonction de température **A**) est allumé. L'humidité de consigne maximale pouvant être réglée dépend de la température du sauna. Plus la température du sauna est élevée, plus la valeur de l'humidité réglable maximale est basse.

Exception : Le mode évaporateur simple est activé (voir « **8.2. Paramètres de menu de configuration** » à la page 26). Il est possible dans ce cas de figure de mettre l'évaporateur en marche sans le poêle de sauna, la température de la cabine déterminant l'humidité maximum.



Exploiter la commande de sauna sans sonde de température-humidité (FTS2) active le mode cadencé. L'évaporateur reste en service pendant 10 minutes sans interruption si la température de cabine devient inférieure à 30 °C. Cela permet à l'eau du réservoir d'atteindre une température de base. Le mode cadencé se met ensuite en marche.

FR

10.5. Démarrage de la sortie supplémentaire

Vous pouvez raccorder, par exemple, un émetteur infrarouge ou des plaques chauffantes infrarouges à la sortie supplémentaire de la commande de sauna.



AVERTISSEMENT ! **Risque d'incendie**

Des objets inflammables se trouvant sur ou devant l'émetteur infrarouge chaud peuvent s'enflammer et provoquer des incendies.

- Ne laissez JAMAIS un objet inflammable sur ou devant l'émetteur à infrarouges.
- Assurez-vous qu'AUCUN objet inflammable ne se trouve sur ou devant l'émetteur infrarouge avant de le mettre en marche.

Deux modes de fonctionnement sont disponibles pour la sortie supplémentaire :

1. Régulation d'intensité
2. Régulation de température ambiante

Procédure de changement de mode de fonctionnement :

1. Tournez le sélecteur de fonction 2 sur la position **C** (sortie supplémentaire).
 - ▶ Le symbole de sortie supplémentaire s'allume.
 - ▶ L'affichage 4 indique une valeur d'intensité ou une température, en fonction du mode de fonctionnement.
2. Appuyez sur le bouton rotatif inférieur et maintenez-le enfoncé pendant trois secondes.
 - ▶ L'écran supérieur affiche brièvement le mode de fonctionnement sélectionné :
 - Affichage : « **StEP** » : sortie supplémentaire en mode de **régulation d'intensité**.
 - Affichage : « **tE** » : sortie supplémentaire en mode de **régulation de température ambiante**.

Régulation d'intensité à fonction de gradation activée

Lorsque la fonction de gradation de la sortie supplémentaire est activée, vous pouvez régler la puissance de l'appareil sur une échelle de 0 à 7. Avec une valeur de 0, l'appareil supplémentaire est éteint. La valeur 7 correspond à la pleine puissance.

FR

1. Tournez le sélecteur de fonction 2 sur la position **C** (sortie supplémentaire).
 - ▶ Le symbole de sortie supplémentaire s'allume.
2. Réglez la puissance souhaitée de l'appareil supplémentaire à l'aide du sélecteur d'intensité 3.
3. Appuyez sur le sélecteur d'intensité 3.
 - ▶ L'appareil supplémentaire est démarré.
 - ▶ Le sélecteur d'intensité 3 s'allume.

Régulation d'intensité à fonction de gradation désactivée

Lorsque la fonction de gradation de la sortie supplémentaire est désactivée, vous pouvez uniquement mettre en marche et arrêter l'appareil supplémentaire. L'appareil fonctionne toujours à la puissance maximale.

1. Tournez le sélecteur de fonction 2 sur la position **C** (sortie supplémentaire).
 - ▶ Le symbole de sortie supplémentaire s'allume.
 - ▶ Le message « OFF » apparaît sur l'affichage de l'intensité.
2. Appuyez sur le sélecteur d'intensité 3.
 - ▶ L'appareil supplémentaire est démarré.
 - ▶ Le sélecteur d'intensité 3 s'allume.
 - ▶ Le message « On » apparaît sur l'affichage de l'intensité.

Régulation de température ambiante de la sortie supplémentaire

Si le mode de fonctionnement de la sortie supplémentaire est réglé sur la température ambiante, il est possible de régler une température de cabine par la sortie supplémentaire. Cela permet de régler la température de cabine par émetteur ou plaques chauffantes infrarouges.

Paramètres possibles :

- Émetteur infrarouge (sans sonde de film) : de 30 °C à 70 °C
- Plaques chauffantes infrarouges (sans sonde de film) : de 30 °C à 50 °C



Si le poêle de sauna est déjà activé ou en cas de démarrage supplémentaire de celui-ci, la régulation de température de sortie supplémentaire est impossible. Le mode de fonctionnement passe automatiquement en régulation de puissance et la sortie supplémentaire continue de fonctionner à plein régime.

10.6. Allumage de l'éclairage

Lorsque la fonction de gradation est activée

Lorsque la fonction de gradation lumineuse est activée, vous pouvez régler la puissance de l'éclairage du niveau 0 au niveau 100. Avec une valeur de 0, l'éclairage est éteint. La valeur 100 correspond à la pleine puissance.

1. Tournez le sélecteur de fonction 2 sur la position **D** (éclairage).
 - ▶ Le symbole de l'éclairage s'allume.
2. Réglez la puissance d'éclairage souhaitée à l'aide du sélecteur d'intensité 3.
3. Appuyez sur le sélecteur d'intensité 3.
 - ▶ L'éclairage est allumé.

Le sélecteur d'intensité 3 s'allume.



Quand le commutateur d'éclairage 5 est allumé, l'éclairage de la cabine s'allume à la puissance maximale. Si vous souhaitez varier la puissance de l'éclairage à l'aide du sélecteur d'intensité 3 éteignez le commutateur d'éclairage 5.

Lorsque la fonction de gradation est désactivée

Lorsque la fonction de gradation lumineuse est désactivée, vous pouvez uniquement allumer et éteindre l'éclairage. L'éclairage s'allume toujours à la puissance maximale.

1. Tournez le sélecteur de fonction 2 sur la position **D** (éclairage).
 - ▶ Le symbole de l'éclairage s'allume.
 - ▶ Le message « OFF » apparaît sur l'affichage de l'intensité.
2. Appuyez sur le sélecteur d'intensité 3.
 - ▶ L'éclairage est allumé.
 - ▶ Le sélecteur d'intensité 3 s'allume.
 - ▶ Le message « On » apparaît sur l'affichage de l'intensité.

10.7. Mise en marche du ventilateur

Lorsque la fonction de gradation est activée

Lorsque la fonction de gradation lumineuse est activée, vous pouvez régler la puissance du ventilateur sur une échelle de 0 à 100. Avec une valeur de 0, la ventilateur est arrêté. La valeur 100 correspond à la pleine puissance.

1. Tournez le sélecteur de fonction 2 sur la position **E** (ventilation).
 - ▶ Le symbole de ventilateur s'allume.
2. Réglez la puissance souhaitée du ventilateur à l'aide du sélecteur d'intensité 3.
3. Appuyez sur le sélecteur d'intensité 3.
 - ▶ Le ventilateur est mis en marche.
 - ▶ Le sélecteur d'intensité 3 s'allume.

Lorsque la fonction de gradation est désactivée

Lorsque la fonction de gradation du ventilateur est désactivée, vous pouvez uniquement mettre en marche et arrêter le ventilateur. L'appareil fonctionne toujours à la puissance maximale.

1. Tournez le sélecteur de fonction 2 sur la position **E** (ventilation).
 - ▶ Le symbole de ventilateur s'allume.
 - ▶ Le message « OFF » apparaît sur l'affichage d'intensité.
2. Appuyez sur le sélecteur d'intensité 3.
 - ▶ Le ventilateur est mis en marche.
 - ▶ Le sélecteur d'intensité 3 s'allume.
 - ▶ Le message « On » apparaît sur l'affichage de l'intensité.

FR

10.8. Paramétrage du démarrage différé

Vous pouvez régler l'heure du démarrage différé à la minute. Le délai maximum pour le démarrage différé est de 24 h. La marche programmée est affichée en heures et en minutes, p.ex. 8 heures et 15 minutes seront affichées : 8.15.



AVERTISSEMENT !

Risque d'incendie

Des objets inflammables se trouvant sur le poêle de sauna brûlant peuvent s'enflammer et provoquer des incendies.

- NE placez JAMAIS de matériaux inflammables sur le poêle de sauna.
- Assurez-vous qu'AUCUN objet inflammable ne se trouve sur le poêle avant d'activer la marche programmée du sauna.

1. Démarrez les fonctions que vous souhaitez activer à l'issue du délai de démarrage différé.
2. Tournez le sélecteur de fonction 2 sur la position **F** (marche programmée).
 - ▶ La dernière marche programmée apparaît sur l'affichage de l'intensité 4.
3. Choisissez l'horaire de la marche programmée souhaitée à l'aide du sélecteur d'intensité 3.
4. Appuyez sur le sélecteur d'intensité 3.
 - ▶ La commande de sauna passe en mode veille et la minuterie se met en marche.
 - ▶ La durée restante jusqu'à la mise en marche programmée apparaît sur l'affichage de l'intensité 4.
 - ▶ Le symbole de marche programmée clignote.
 - ▶ Le sélecteur d'intensité 3 s'allume.
 - ▶ Une fois l'horaire de départ différé atteint, les fonctions sélectionnées sont activées.

10.9. Interruption de la fonction de démarrage différé

FR

- Appuyez sur le sélecteur d'intensité 3 pour interrompre la marche programmée.
 - ▶ Le décompte jusqu'à la mise en marche programmée est interrompu.
 - ▶ Le symbole de la marche programmée reste allumé.

10.10. Réglage de la durée

Au moment de la mise en marche du sauna, vous pouvez déjà définir sa durée de fonctionnement. La durée de chauffage maximale (p. ex. 6 h pour les saunas privés) ne peut pas être dépassée. La durée est affichée en heures et en minutes, p.ex. 3 heures et 15 minutes seront affichées : 03.15.

1. Tournez le sélecteur de fonction 2 sur la position **G** (durée).
 - ▶ La dernière durée réglée apparaît sur l'affichage de l'intensité 4.
2. Choisissez la durée souhaitée à l'aide du sélecteur d'intensité 3.
3. Pour sauvegarder durablement la durée, appuyez pendant trois secondes sur le bouton rotatif inférieur.
 - ▶ Le bouton rotatif inférieur clignote quatre fois : le paramètre est sauvegardé.



- Appuyez sur le sélecteur d'intensité 3 et tournez-le simultanément.
 - ▶ La marche programmée ou la durée de fonctionnement se règlent par paliers d'heures.

10.11. Activation du mode de veille de l'actionnement à distance

Selon la norme EN 60335-2-53, les commandes de sauna avec fonction d'activation à distance doivent être réglées manuellement sur le mode de fonctionnement



Cette activation doit être répétée après chaque procédure de démarrage et d'arrêt à distance.

« Veille d'actionnement à distance ».

En cas de dispositif d'arrêt de sécurité activé (par défaut)

Pour cela, suivez les étapes suivantes :

1. Tournez le sélecteur de fonction 2 sur la position **J** (démarrage à distance).
 - ▶ L'affichage d'intensité 4 indique « oFF ».
2. Tournez le bouton rotatif inférieur afin d'activer le « mode de veille d'actionnement à distance ».
 - ▶ L'affichage d'intensité 4 indique « on » et le symbole de démarrage à distance clignote.
 - ▶ Le système de démarrage et d'arrêt de la commande de sauna par signal à distance est maintenant opérationnel.
 - ▶ Le symbole d'activation à distance s'éteint après l'exécution de chaque procédure de démarrage ou d'arrêt à distance ; il faut réactiver ce mode de fonctionnement.

FR

Lorsque le capteur de porte est activé

Pour cela, suivez les étapes suivantes :

1. Tournez le sélecteur de fonction 2 sur la position **J** (démarrage à distance).
 - ▶ L'affichage d'intensité 4 indique « oFF ».
2. Tournez le bouton rotatif inférieur afin d'activer le « mode de veille d'actionnement à distance ».
 - ▶ Un compte à rebours de 30 secondes apparaît sur l'affichage de l'intensité 4. La porte peut être ouverte/fermée autant de fois que nécessaire pendant cette durée. La porte doit être fermée une fois le compte à rebours écoulé !
 - ▶ L'affichage d'intensité 4 indique « on » et le symbole de démarrage à distance clignote.
 - ▶ Le système de démarrage de la commande de sauna par signal à distance est maintenant opérationnel (= mode « Veille de l'actionnement à distance »)
 - ▶ Le symbole d'activation à distance s'éteint après l'exécution de chaque procédure de démarrage ou d'arrêt à distance ; il faut réactiver ce mode de fonctionnement.

La porte s'ouvre - l'avertissement « door » s'affiche à l'écran

- en mode Veille de l'actionnement à distance :
Pour continuer dans ce mode, il convient de fermer la porte et d'appuyer deux fois sur le bouton rotatif inférieur.
 - ▶ L'écran affiche à nouveau le compte à rebours (30 sec.).
- en cours de fonctionnement ou sortie de démarrage à distance validée (pour monnayeur ou système de capteur de porte) :
La validation est automatique lorsque la porte est fermée.

10.12. Modification des valeurs de consigne

Vous pouvez modifier les valeurs de consigne à tout moment durant le fonctionnement.

1. Tournez le sélecteur de fonction 2 sur la fonction que vous souhaitez modifier.
2. Choisissez la valeur de consigne souhaitée à l'aide du sélecteur d'intensité 3.

10.13. Arrêt du programme de séchage final

FR

Le programme de séchage final démarre automatiquement après le mode mixte. La cabine de sauna est alors chauffée à 80 °C avec le ventilateur activé. (Par défaut = 30 minutes - en fonction des paramètres du menu de configuration). Le message « dry » apparaît sur l'affichage de l'intensité 4 et le symbole de température clignote.

- Appuyez sur le sélecteur d'intensité 3 et maintenez-le enfoncé durant trois secondes afin d'arrêter le programme de séchage final.



Afin d'éviter la formation de moisissure et de pourriture, le programme de séchage rapide ne doit PAS être interrompu.

10.14. Arrêt de la commande de sauna

- Appuyez sur le commutateur MARCHE/ARRÊT 6 pour arrêter la commande de sauna.
 - ▶ Le sélecteur de fonction 2, le sélecteur d'intensité et l'affichage de l'intensité s'éteignent.
 - ▶ La commande de sauna est éteinte.

11. Programmes utilisateur

À l'aide des programmes utilisateur, vous pouvez enregistrer vos réglages de sau-
na préférés afin de pouvoir y accéder plus facilement. 5 programmes utilisateurs
préréglés sont à la disposition de l'utilisateur et peuvent être modifiés à sa guise.

Les réglages des fonctions suivantes sont enregistrés dans les programmes
utilisateurs :

- Température
- Humidité (seulement PRO C3)
- Sortie supplémentaire (régulation d'intensité ou de température ambiante)
- Éclairage
- Ventilateur
- Durée

11.1. Programmes utilisateurs préréglés

Les programmes utilisateurs suivants sont déjà prédéfinis.

<i>Pro- gramme utilisateur</i>	<i>Température</i> °C	<i>Humi- dité</i> %	<i>Sortie supplé- mentaire</i>	<i>Éclai- rage</i> %	<i>Ventila- teur</i> %	<i>Durée</i> Hre
1	90	0	0	50	0	2
2	70	0	0	50	0	2
3	50	60	0	50	0	2
4	60	35	0	50	0	2
5	30	0	7	50	0	1

FR

Affichage des programmes utilisateurs

1. Tournez le sélecteur de fonction 2 sur la position **H** (programmes utilisateur).
 - ▶ Le symbole « utilisateur » s'allume.
2. Choisissez un programme utilisateur (1 - 5) à l'aide du sélecteur d'intensité 3.
3. Appuyez sur le sélecteur d'intensité 3.
 - ▶ Le programme utilisateur démarre.
 - ▶ Le sélecteur d'intensité 3 s'allume.

11.2. Réglage personnalisé des programmes utilisateurs

Vous pouvez personnaliser les programmes utilisateurs. Le programme person-
nalisé remplace alors un programme utilisateur préréglé. Pour cela, suivez les
étapes suivantes :

1. Démarrez toutes les fonctions qui doivent être activées dans le programme utilisateur, avec l'intensité souhaitée.
2. Tournez le sélecteur de fonction 2 sur la position **H** (programmes utilisateur).
 - ▶ Le symbole « utilisateur » s'allume.
3. À l'aide du sélecteur d'intensité 3, choisissez sous quel numéro (1 - 5) le nouveau programme utilisateur doit être enregistré.
4. Appuyez sur le sélecteur d'intensité 3 et maintenez-le enfoncé durant trois secondes.
 - ▶ Le sélecteur d'intensité clignote.
 - ▶ Les réglages ont été enregistrés dans le programme utilisateur choisi.

Exemple

Pro-gramme utilisateur	Température °C	Humi-dité %	Sortie supplé-mentaire	Éclai-rage %	Venti-lateur %	Durée Hre
2	45	55	0	50	0	3

FR

12. La fonction ÉCO

La fonction Éco vous permet d'économiser de l'énergie pendant les pauses, entre deux séances de sauna. Avec la fonction Éco, les appareils raccordés fonctionnent en puissance réduite. Vous pouvez choisir des pauses de sauna de 20, 40 ou 60 minutes.

Le poêle de sauna et l'évaporateur se remettent en marche avant la fin de la pause. La température de consigne et l'humidité de consigne sont ainsi atteintes à la fin de la pause sauna.

Pour activer la fonction Éco, suivez les étapes suivantes :

1. Tournez le sélecteur de fonction 2 sur la position **I** (fonction ÉCO).
 - ▶ Le symbole ÉCO s'allume.
2. Réglez la durée de pause à l'aide du sélecteur d'intensité 3.
 - E20 correspond à une pause sauna de 20 minutes.
 - E40 correspond à une pause sauna de 40 minutes.
 - E60 correspond à une pause sauna de 60 minutes.
3. Appuyez sur le sélecteur d'intensité 3.
 - ▶ Le sélecteur d'intensité 3 s'allume.
 - ▶ Sur l'affichage supplémentaire 1 apparaît le nombre de minutes avant la remise en marche du poêle : cela permet d'atteindre de nouveau la température de consigne à la fin de la pause sauna.

13. Nettoyage et entretien

13.1. Nettoyage

ATTENTION !

Endommagement de l'appareil

La commande de sauna est protégée contre les projections d'eau, mais un contact direct avec de l'eau peut quand même endommager l'appareil.

- Ne plongez JAMAIS l'appareil dans l'eau.
- Ne versez JAMAIS d'eau sur l'appareil.
- Ne nettoyez pas l'appareil avec trop d'eau.

1. Imbibez un chiffon de savon doux.
2. Essorez bien le chiffon.
3. Essuyez le boîtier de la commande de sauna avec précaution.

13.2. Entretien

La commande de sauna ne nécessite aucun entretien.

FR

14. Élimination



- Éliminez les matériaux d'emballage conformément aux directives en vigueur relatives à l'élimination.
- Les appareils usagés contiennent des matériaux recyclables, mais aussi des substances toxiques. Par conséquent, ne jetez en aucun cas votre appareil usagé avec les déchets ménagers. Éliminez-le conformément aux directives locales en vigueur.

15. Dépannage

15.1. Messages d'erreur

La commande de sauna est équipée d'un logiciel de diagnostic qui contrôle l'état du système pendant la mise en marche et le fonctionnement. Dès que le logiciel de diagnostic détecte une erreur, la commande de sauna éteint le poêle.

Les erreurs vous sont signalées par un signal sonore répétitif et le clignotement du sélecteur de fonction 2 et du sélecteur d'intensité 3. De plus, le message « Err » apparaît sur l'affichage supplémentaire 1. Le numéro de l'erreur apparaît sur l'affichage de l'intensité 4.

Arrêtez la commande de sauna à l'aide du commutateur MARCHE/ARRÊT 6 sur l'élément de commande et éliminez l'erreur avant de rallumer la commande de sauna.

Le tableau ci-dessous décrit les erreurs possibles et leurs causes. Si nécessaire, indiquez le numéro de l'erreur à votre service clientèle.

FR

<i>Erreur</i>	<i>Description</i>	<i>Cause/résolution</i>
01	Arrêt de sécurité	Un objet est posé sur le poêle du sauna. Enlevez-le avant de remettre en service le poêle du sauna. Si aucun dispositif d'arrêt de sécurité n'est monté, référez-vous au point 5.10 de la page 21.
02	Dispositif de protection contre la surtempérature	La température maximale de 139 °C au-dessus du poêle a été dépassée.
04F1	Dysfonctionnement de la sonde de poêle	Sonde de poêle défectueuse, mauvais contact ou court-circuit
05	Dysfonctionnement de la sonde de film	Sonde de film défectueuse, mauvais contact ou court-circuit
06F2	Dysfonctionnement de la sonde de banc	Sonde de banc défectueuse, mauvais contact ou court-circuit
07	Dysfonctionnement de la sonde d'humidité	Sonde d'humidité défectueuse, mauvais contact ou court-circuit
08	Surtempérature de la sonde de film	La température de film maximale de 100 °C est atteinte.
door	Porte de sauna ouverte	La commande du sauna est liée à un capteur de porte. Fermez la porte ou contrôlez les raccordements ou les réglages.

15.2. Affichage du manque d'eau (seulement PRO C3)

La commande de sauna dispose, en mode mixte, d'un arrêt automatique en cas de manque d'eau (si votre poêle mixte est compatible avec cette fonction). Si le réservoir d'eau de l'évaporateur est vide, ceci vous est signalé par un signal sonore répétitif et le message « **FILL** » sur l'affichage supplémentaire 1. L'évaporateur s'arrête simultanément.

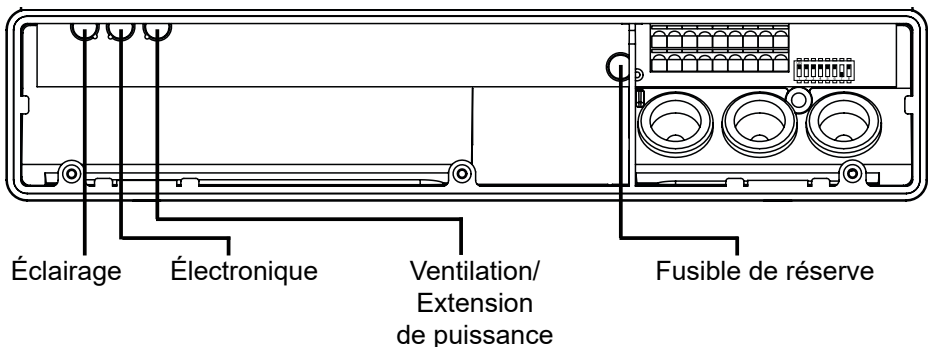
- Remplissez le réservoir d'eau.
 - ▶ Après un court instant, le message « FILL » s'éteint et l'évaporateur recommence à chauffer.

15.3. Fusibles

Les fusibles (ainsi qu'un exemplaire de réserve) de l'éclairage, de la ventilation/extension de puissance et des composants électroniques se trouvent dans la zone de raccordement de la commande du sauna.

Ce sont des microfusibles à retardement d'1 A.

Veillez mentionner la référence PRO-FUSE pour les commander.



Remplacement de fusible : retirez tout droit l'empêchement et insérez l'exemplaire neuf.

16. Caractéristiques techniques

Conditions ambiantes

Température de stockage :	-25 °C à +70 °C
Température ambiante :	-10 °C à +40 °C
Humidité de l'air :	max. 95 %

Commande de sauna

Dimensions :	307 x 175 x 57 mm
Tension de commutation/triphasée 3N :	400 V CA
Fréquence :	50 Hz
Puissance de commutation/radiateur :	3 x 3,5 kW
Courant de commutation par phase/radiateur :	16 A
Puissance de commutation/évaporateur :	3,5 kW
Courant de commutation/évaporateur :	16 A
Puissance de commutation/sortie supplémentaire (variable)*	500 W
Puissance de commutation/sortie supplémentaire (commutable)*	3,5 W
Courant de commutation/sortie supplémentaire :	16 A
Sortie d'état :	24 V/200 mA
Tension nominale :	230 V
Degré de protection (protection contre les projections d'eau) :	IPX4
Raccordement au réseau d'alimentation en raccordement fixe	

FR

Éclairage

Puissance de commutation :	100 W
Fusible :	1A T

Ventilateur

Puissance de commutation :	100 W
Fusible :	1A T

Plages de réglage

Température :	de 30 °C à 110 °C
Humidité :	de 0 à 100 %

L'humidité maximale pouvant être réglée dépend de la température du sauna. Plus la température du sauna est élevée, plus la valeur de l'humidité réglable maximale est basse.

* La sortie supplémentaire n'a pas de protection contre la surtempérature. C'est pourquoi seuls des appareils équipés d'un dispositif interne de sécurité peuvent être utilisés sur la sortie supplémentaire.

Sécurité thermique

Sonde de poêle avec dispositif de protection contre la surtempérature
(température de déclenchement : 139 °C)

Limitation automatique du temps de chauffage réglable (6 h, 12 h, 18 h, 24 h)*

Au choix, fonctionnement à une ou deux sondes

Câbles de raccordement

Câble d'alimentation :	min. 5 x 2,5 mm ²
Câble de poêle (résistant à une température allant jusqu'à 150 °C) :	min. 2,5 mm ²
Câbles de sonde (résistant à une température allant jusqu'à 150 °C) :	min. 0,5 mm ²
Câble d'éclairage :	min. 1,5 mm ²
Câble de ventilateur :	min. 1,5 mm ²

Harvia PRO C



Saunabesturing

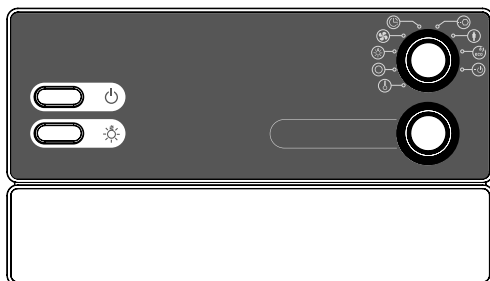
Montage en- gebruiksaanwijzing

Let's sauna.

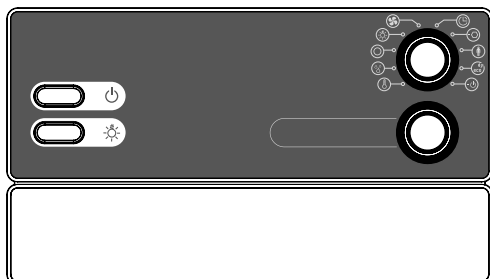
Artikelnr.

PRO-C2 1-015-448

PRO-C3 1-015-451



PRO-C2



PRO-C3



NL

Inhoudsopgave

1. Over deze handleiding	5
2. Belangrijke aanwijzingen voor uw veiligheid	6
2.1. Reglementair gebruik	6
2.2. Veiligheidsvoorschriften voor de monteur	7
2.3. Veiligheidsaanwijzingen voor de gebruiker	8
3. Productbeschrijving	9
3.1. Leveromvang	9
3.2. Optioneel toebehoren	9
3.3. Productfuncties	9
3.4. Saunabedrijfsmodi	11
3.5. Voelerbedrijfsmodi	11
4. Montage	13
4.1. Saunabesturing monteren	13
4.2. Kachelvoeler F1 met oververhittingsbeveiliging monteren	15
4.3. Bankvoeler F2 (optioneel) monteren	16
4.4. Vochtigheidstemperatuurvoeler FTS2 (optioneel, alleen PRO C3) monteren	16
4.5. Folievoeler (optioneel) monteren	16
5. Elektrische aansluiting	17
5.1. Voedingskabel, kachel en verdamper aansluiten	18
5.2. Licht aansluiten	18
5.3. Ventilator (optioneel) aansluiten	18
5.4. Extra uitgang (optioneel) aansluiten	19
5.5. Vermogensuitbreiding (optioneel) aansluiten	19
5.6. Kachelvoeler F1 aansluiten	19
5.7. Bankvoeler F2 (optioneel) aansluiten	20
5.8. Vochtigheidstemperatuurvoeler FTS2 aansluiten (optioneel, alleen PRO C3)	20
5.9. Folievoeler (optioneel) aansluiten	20

5.10. Veiligheidsuitschakeling / deursensor aansluiten.....	21
5.11. Starten op afstand.....	21
5.12. Statusuitgang.....	21
5.13. Installatie afronden.....	21
6. Controles uitvoeren.....	22
7. Aansluitschema.....	23
8. Inbedrijfstelling.....	24
8.1. Instelling van de functieselectieschakelaar.....	24
8.2. Instellingen in het technicusmenu.....	26
9. Bedieningselementen.....	31
9.1. Aanduiding van de bedienelementen.....	31
9.2. De functieselector.....	31
9.3. De intensiteitsselector.....	32
10. Bediening.....	32
10.1. Licht inschakelen.....	32
10.2. Saunabesturing inschakelen.....	32
10.3. Saunamodus starten.....	33
10.4. Combimodus starten (alleen PRO C3).....	33
10.5. Extra uitgang starten.....	34
10.6. Licht inschakelen.....	36
10.7. Ventilator starten.....	37
10.8. Voorkeuzetijd instellen.....	37
10.9. Voorkeuzetijdfunctie annuleren.....	38
10.10. Looptijd instellen.....	38
10.11. Stand-by voor bediening op afstand activeren.....	39
10.12. Ingestelde waarden wijzigen.....	40
10.13. Nadroogprogramma annuleren.....	40
10.14. Saunabesturing uitschakelen.....	40

11. Gebruikersprogramma's	41
11.1. Vooringestelde gebruikersprogramma's	41
11.2. Eigen gebruikersprogramma maken	41
12. De Eco-functie	42
13. Reiniging en onderhoud	43
13.1. Reiniging	43
13.2. Onderhoud	43
14. Afvoer	43
15. Probleemoplossing	44
15.1. Foutmeldingen	44
15.2. Watertekortweergave (alleen PRO C3)	45
15.3. Zekeringen	45
16. Technische gegevens	46

1. Over deze handleiding

Lees deze montage- en gebruiksaanwijzing goed door en bewaar deze in de buurt van de saunabesturing. Zo kunt u te allen tijde informatie over uw veiligheid en de bediening nalezen.



U vindt deze montage- en gebruiksaanwijzing ook op onze website:
www.mediabank.harvia.com

Symbolen in waarschuwingen

In deze montage- en gebruiksaanwijzing staat bij werkzaamheden die gevaarlijk kunnen zijn een waarschuwing. Neem deze waarschuwingen steeds in acht. Zo voorkomt u materiële schade en letsel dat in het ergste geval zelfs dodelijk kan zijn.

In de waarschuwingen worden signaalwoorden gebruikt die de volgende betekenis hebben:



GEVAAR!

Als u deze waarschuwing niet in acht neemt, leidt dit tot ernstig letsel of de dood.



WAARSCHUWING!

Als u deze waarschuwing niet in acht neemt, kan dit leiden tot ernstig letsel of de dood.



VOORZICHTIG!

Als u deze waarschuwing niet opvolgt, kan dit leiden tot licht letsel.

LET OP!

Dit signaalwoord waarschuwt voor materiële schade.

Andere symbolen



Dit symbool duidt op tips en nuttige aanwijzingen.

2. Belangrijke aanwijzingen voor uw veiligheid

De saunabediening PRO C2 / PRO C3 is gebouwd conform erkende veiligheidstechnische voorschriften. Toch kunnen bij het gebruik gevaren ontstaan. Neem daarom de volgende veiligheidsaanwijzingen en de speciale waarschuwingsaanwijzingen in de afzonderlijke hoofdstukken in acht. Neem ook de veiligheidsaanwijzingen van de aangesloten apparaten in acht.

2.1. Reglementair gebruik

De saunabediening PRO C2 / PRO C3 is uitsluitend bedoeld voor de bediening en regeling van de functies volgens de technische gegevens.

De saunabediening PRO C2 / PRO C3 mag alleen voor de besturing en regeling van een saunakachel conform paragraaf 19.101 van EN 60335-2-53 worden gebruikt. Als de kachel niet aan deze voorwaarde voldoet, moet een desbetreffende veiligheidsmaatregel worden getroffen (bijvoorbeeld: Veiligheidsuitschakeling / deuropener, zie **5.10** op pagina **21**).

De saunabediening PRO C2 / PRO C3 mag alleen voor de besturing en regeling van 3 verwarmingskringen met maximaal 3,5 kW vermogen per kring worden gebruikt. Het maximale vermogen van de extra uitgang bedraagt 3,5 kW. Het maximale verdampervermogen (alleen PRO C3) bedraagt 3,5 kW.

Elk ander gebruik geldt als niet-reglementair. Niet-reglementair gebruik kan leiden tot productbeschadiging, ernstig letsel of de dood.

2.2. Veiligheidsvoorschriften voor de monteur

- De montage mag alleen door een elektricien of een vergelijkbaar gekwalificeerde persoon worden uitgevoerd.
- Werkzaamheden aan de saunabesturing mogen alleen in spanningsvrije toestand worden uitgevoerd.
- Op de plaats van opstelling moet een volledige scheidingsinrichting met complete uitschakeling overeenkomstig de overspanningscategorie III worden aangebracht.
- De saunabesturing moet buiten de saunacabine op een hoogte van ongeveer 1,70 m worden gemonteerd of volgens de aanbevelingen van de cabineproducent. De omgevingstemperatuur moet liggen in het bereik van -10 °C en 40 °C.
- De kachelvoeler moet zo worden gemonteerd dat hij geen invloed ondergaat van binnenstromende lucht.
- De toevoerleiding van de kachel moet een dwarsdoorsnede van minstens 2,5 mm² hebben en temperatuurbestendig zijn tot 150 °C.
- Neem ook de plaatselijke bepalingen op de plaats van opstelling in acht.
- Raadpleeg voor problemen die in de montageaanwijzingen niet uitvoerig genoeg werden behandeld in het belang van uw eigen veiligheid uw leverancier.

2.3. Veiligheidsaanwijzingen voor de gebruiker

- De saunabesturing mag niet door kinderen onder 8 jaar worden gebruikt.
- De saunabesturing mag door kinderen boven 8 jaar, door personen met verminderd fysisch, sensorisch of mentaal vermogen en door personen met gebrek aan kennis en ervaring onder de volgende voorwaarden worden gebruikt:
 - onder toezicht
 - indien veilig gebruik werd gedemonstreerd en ze de gevaren die kunnen ontstaan, begrijpen.
- Kinderen mogen niet met de saunabesturing spelen.
- Kinderen onder 14 jaar mogen de saunabesturing alleen onder toezicht reinigen.
- Maak in het belang van uw eigen gezondheid geen gebruik van de sauna, indien u onder invloed bent van alcohol, medicamenten of drugs.
- Controleer of er geen brandbare voorwerpen op de saunakachel liggen voordat u de saunabesturing inschakelt.
- Controleer of er geen brandbare voorwerpen op de saunakachel liggen, voordat u de voorkeuzefunctie of de stand-bymodus voor starten op afstand activeert.
- Controleer of geen brandbare voorwerpen op of voor de infraroodstraler liggen, voordat u de saunabesturing inschakelt.
- Controleer of er geen brandbare voorwerpen op of voor de infraroodstraler liggen, voordat u de voorkeuzetijdfunctie of de stand-bymodus voor starten op afstand activeert.
- Raadpleeg in het geval van problemen die in de gebruiksaanwijzing niet uitvoerig genoeg worden behandeld in het belang van uw eigen veiligheid uw leverancier.

3. Productbeschrijving

3.1. Leveromvang

- Saunabesturing
- Kachelvoeler met geïntegreerde oververhittingsbeveiliging
- Montagemateriaal

3.2. Optioneel toebehoren

- Bankvoeler (1-009-231 / O-F2)
- Vochtigheids-temperatuurvoeler (1-010-081 / O-FTS2)
- Folievoeler (1-014-445 / P-ISX-FF)
- Vermogensuitbreiding (1-008-779 / O-S2-18, 1-009-280 / O-S2-30)
- Uitschakelwip (SFE-xxxxx)
- Deursensor Home (1-052-723 / SAB00103)
- MySentio wifi (1-053-313 / S-WIFI01)
- MySentio Remote (1-053-314 / S-WIFI02)

3.3. Productfuncties

NL

De saunabediening Pro C2 beschikt over volgende functies:

- Regelen van saunakachels met een verwarmingsvermogen tot 10,5 kW in een temperatuurbereik van 30 °C tot 110 °C.
- Met een vermogensuitbreiding kan het maximale schakelvermogen van 10,5 kW tot 18 kW of 30 kW worden verhoogd.
- Facultatief dimmen of schakelen van een cabinelamp (tot 100 W)
- Facultatief dimmen of schakelen van een ventilator (tot 100 W)
- Afstandsbediening
- Deurbewaking
- Statusuitgang
- Voorselectietijdfunctie (tot 24 uur)
- Automatische begrenzing van de verwarmingstijd
Uit veiligheidsoverwegingen schakelt de saunabesturing na maximale verwarmingstijd automatisch uit. De maximale verwarmingstijd kan op 6 u, 12 u, 18 u of 24 u worden ingesteld.

- Extra uitgang
Naar keuze dimmen (tot 500 W), schakelen (tot 3,5 kW) of regelen van de cabinettemperatuur via de extra uitgang.

Extra uitgang heeft geen oververhittingsbeveiliging. Daarom mogen voor de extra uitgang alleen intrinsiek veilige apparaten worden gebruikt.

- Als op de extra uitgang infraroodstralers worden aangesloten, moeten deze over een oververhittingsbeveiliging beschikken. Wij raden het gebruik van de volgende infraroodstralers aan:
 - DIR-350-R, WIR-350-R, DIR-500-R, WIR-500-R, DIR-750-R, WIR-750-R, DIR-1300-R, WIR-1300-R
 - ECO-350-R, ECO-350-G, ECO-500-R, ECO-500-G, ECO-750-R
- Als op de extra uitgang een van de volgende infrarood-warmteplaten wordt aangesloten, moet de folievoeler P-ISX-FF worden gebruikt en in het technicusmenu worden geactiveerd (zie **8.2. Instellingen in het technicusmenu** op pagina **26**):
 - IR-WP-100, IR-WP-175, IR-WP-390, IR-WP-510
 - IR-WPHL-100, IR-WPHL-175, IR-WPHL-390, IR-WPHL-510

NL

- Gebruikersprogramma's
Met de gebruikersprogramma's kunnen gewenste sauna-instellingen worden opgeslagen en weer worden opgeroepen. Er zijn 5 voorinstelde gebruikersprogramma's beschikbaar die volgens de voorinstellingen van de gebruikers kunnen worden aangepast.
- Nadroogprogramma
Na de combimodus wordt het nadroogprogramma automatisch gestart om de vorming van schimmel en rot in de saunacabine te vermijden. Hierbij wordt de saunacabine bij ingeschakelde ventilator gedurende 30 minuten tot 80 °C opgewarmd.
- Oververhittingsbeveiliging
De oververhittingsbeveiliging bevindt zich in de behuizing van de kachelvoeler. Wanneer de saunakachel, na het bereiken van de gewenste temperatuur, door een defect blijft verwarmen, schakelt de oververhittingsbeveiliging bij ongeveer 139 °C de saunakachel automatisch uit.

PRO C3

Functies als bij PRO C2, echter ook:

- Regelen van combi-saunakachels met een verwarmingsvermogen tot 10,5 kW en een verdampingsvermogen van 3,5 kW in een temperatuurbereik van 30 °C tot 110 °C en in een vochtigheidsbereik van 5 tot 100 %.

- **Nadroogprogramma**
Na de combimodus wordt het nadroogprogramma automatisch gestart om de vorming van schimmel en rot in de saunacabine te vermijden. Hierbij wordt de saunacabine bij ingeschakelde ventilator tot 80 °C opgewarmd.
Voor de duur kan een waarde tussen OFF - 60 minuten worden geselecteerd.

3.4. Saunabedrijfsmodi

De saunabesturing PRO B2 ondersteunt alleen de saunamodus. Met de saunabediening Pro C3 zijn twee bedrijfsmodi mogelijk: sauna- en combi-modus.

Saunamodus

In de saunamodus is droge warmte beschikbaar. De temperatuur in de cabine is hoog (80 tot 100 °C). De vochtigheidswaarden bedragen maximaal slechts 10%.

Combibedrijf

In de combimodus is naast de saunakachel ook de verdamper actief. De temperatuur in de saunacabine is lager (ca. 40 tot 65 °C) dan in de saunamodus, maar de relatieve luchtvochtigheid is met 35% tot ongeveer 70% wel aanzienlijk hoger. Hierbij is de maximaal instelbare gewenste vochtigheid afhankelijk van de saunatemperatuur. Hoe hoger de saunatemperatuur, hoe lager de maximaal instelbare vochtigheidswaarde (zie **karakteristiek op pagina 12**)

3.5. Voelerbedrijfsmodi

De saunabediening kan met een of twee voelers worden gebruikt. Als tweede voeler kan een temperatuurvoeler (bankvoeler, F2) of een vochtigheidstemperatuurvoeler (FTS2) worden gebruikt.

Eenvoelermodus (F1)

De eenvoelermodus moet in het technicusmenu worden geactiveerd (zie **8.2. Instellingen in het technicusmenu** op pagina 26).

In de eenvoelermodus wordt de saunabesturing enkel gebruikt met de kachelvoeler met oververhittingsbeveiliging (F1). Deze wordt meegeleverd.

In de modus met een voeler geeft de saunabediening standaard alleen de ingestelde temperatuur weer. De werkelijke temperatuur wordt niet weergegeven. Als de saunabediening in modus met een voeler de temperatuur boven de kachel (F1-voeler) als werkelijke temperatuur moet weergeven, moet deze bij inbedrijfstelling worden geactiveerd (zie **8.2. Instellingen in het technicusmenu** op pagina 26).

De maximaal instelbare vochtigheidswaarde richt zich in de eenvoelermodus naar de temperatuur boven de kachel en de vochtigheid wordt verdeeld. In het display van de saunabesturing wordt nu de gewenste waarde voor vochtigheid (in % relatieve luchtvochtigheid) weergegeven. De werkelijke vochtigheid in de saunacabine is bij verdeelde vochtigheid afhankelijk van de grootte van de cabine en het verdampingsvermogen en kan afwijken van de ingestelde gewenste waarde.

Tweevoelermodus met bankvoeler (F2)

De tweevoelermodus is standaard geactiveerd.

In de tweevoelermodus met bankvoeler wordt een tweede temperatuurvoeler (bankvoeler) boven de achterste saunabank gemonteerd. De saunabesturing geeft als werkelijke waarde de temperatuur aan die door de bankvoeler wordt gemeten.

In de tweevoelermodus met bankvoeler wordt de vochtigheid verdeeld. In het display van de saunabesturing wordt nu de gewenste waarde voor vochtigheid (in % relatieve luchtvochtigheid) weergegeven. De werkelijke vochtigheid in de saunacabine is bij verdeelde vochtigheid afhankelijk van de grootte van de cabine en het verdampingsvermogen en kan afwijken van de ingestelde gewenste waarde.

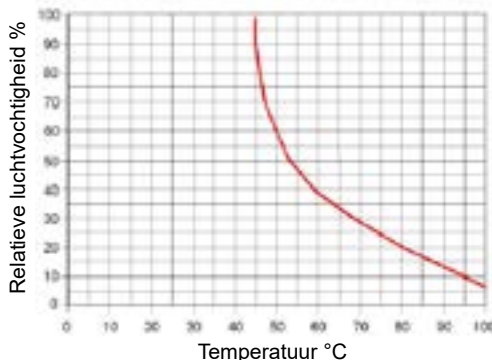
NL

Tweevoelermodus met vochtigheidstemperatuurvoeler (FTS2)

De tweevoelermodus is standaard geactiveerd.

Wanneer in de tweevoelermodus een vochtigheidstemperatuurvoeler wordt gebruikt, geeft de saunabesturing als werkelijke waarde de temperatuur aan die door de vochtigheidstemperatuurvoeler wordt gemeten.

In de tweevoelermodus met vochtigheidstemperatuurvoeler wordt de verdampers geregeld naargelang de vochtigheid die in de cabine wordt gemeten. Op het display van de saunabesturing wordt de werkelijke vochtigheid in de saunacabine (in % relatieve luchtvochtigheid) weergegeven.



4. Montage

4.1. Saunabesturing monteren

LET OP!**Schade aan het apparaat**

De saunabesturing is spatwaterdicht. Toch kan rechtstreeks contact met water het apparaat beschadigen.

- Monteer de saunabesturing op een droge plaats waar een maximale luchtvochtigheid van 95% niet wordt overschreden.

LET OP!**Storende bronnen beïnvloeden de signaaloverdracht**

- Leg alle voelerskabels gescheiden van andere netkabels en stuurkabels.
- Bescherm enkelvoudig geïsoleerde kabels door een buis (dubbele isolatie).

Let bij de montage van de saunabesturing op de volgende punten:

- De saunabesturing moet buiten de saunacabine worden gemonteerd of volgens de aanbevelingen van de cabineproducent.
- De omgevingstemperatuur moet liggen in het bereik van -10 °C en 40°C.
- Alle voelers mogen enkel worden aangesloten met de meegeleverde voelerskabels die tot 150 °C temperatuurbestendig zijn.

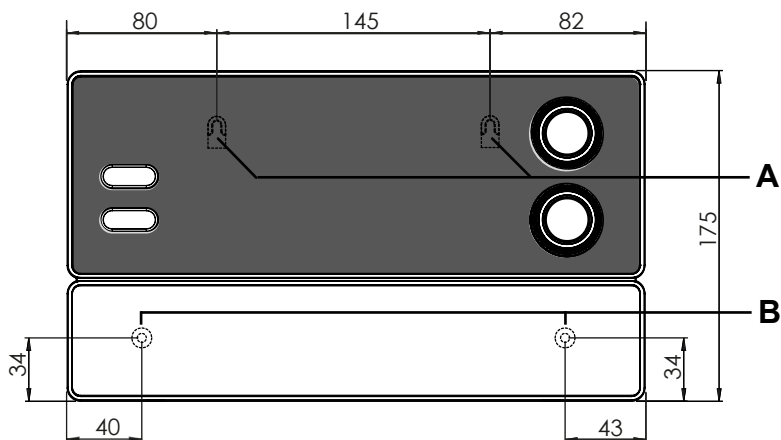


De voelerskabels mogen enkel onder volgende omstandigheden worden verlengd:

- Gebruik van een siliconekabel die bestendig is tot 150 °C.
 - De minimale doorsnede van de kabel bedraagt 0,5 mm².
 - De kabels van de kachelvoeler mogen NIET langer zijn dan 10 m.
-

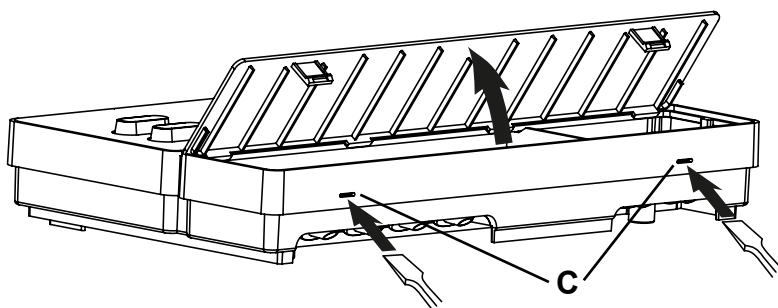
Om de saunabesturing te monteren, voert u de volgende stappen uit:

1. Draai twee kruiskopschroeven (16 mm) op een hoogte van ongeveer 1,70 m tot op een afstand van 7 mm in de saunawand. De beide schroeven moeten 145 mm van elkaar verwijderd zijn (zie **Afb.1**).



Afb.1 Positie van de ophangconstructie en de montageopeningen (afmetingen in mm)

2. Druk de springsloten **C** met een schroevendraaier iets in en verwijder de behuizingsdeksel (zie **Afb.2**).
3. Hang de saunabediening met behulp van de ophangconstructie **A** aan de gemonteerde kruiskopschroeven (zie **Afb.1**).
4. Draai twee kruiskopschroeven (16 mm) in de onderste bevestigingsopeningen **B** vast (zie **Afb.1**).



Afb.2 Het deksel van de behuizing verwijderen

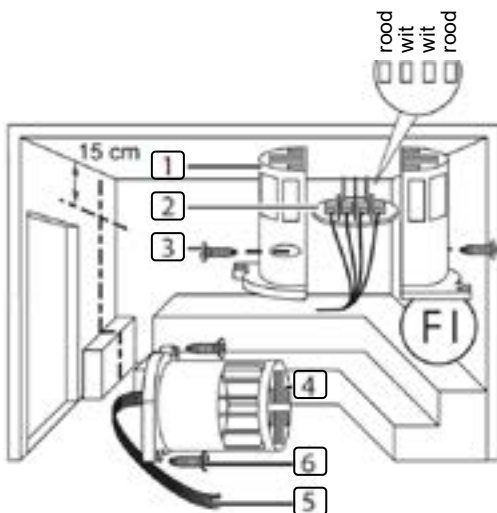
4.2. Kachelvoeler F1 met oververhittingsbeveiliging monteren

Let bij de montage van de kachelvoeler op volgende punten:

- De kachelvoeler moet aan de achterkant van de kachel boven het midden van de saunakachel worden gemonteerd. Daarbij dient een afstand van ongeveer 15 cm tot het cabineplafond te worden aangehouden.
- De kachelvoeler moet zo worden gemonteerd dat hij geen invloed ondergaat van binnenstromende lucht.

Om de kachelvoeler te monteren, voert u de volgende stappen uit (zie **Afb.3**):

1. Leg de beide 2-polige kabels van de kachelvoeler in de wand van de saunacabine op de montageplaats van de kachelvoeler, en bevestig de kabels van de kachelvoeler met kabelklemmen.
2. Trek de twee halve omhulsels 1 van de kachelvoeler uit elkaar.
3. Klem de vier aansluitingen van de kachelvoelerkabel 5 conform **Afb.3** vast.
4. Leg de aansluitplaat 2 dwars (zoals op **Afb.3** weergegeven) in de halve omhulsels van de kachelvoeler.
5. Sluit de halve omhulsels, schroef deze vast met de twee kruiskopschroeven 3 (9 mm) en controleer of de kachelvoeler stevig gesloten is.
6. Monteer de kachelvoeler aan de achterkant van de kachel met de twee meegeleverde houtschroeven 6 (16 mm).



- 1 Halve omhulsels van de kachelvoeler
- 2 Aansluitplaat
- 3 Kruiskopschroeven (9 mm)
- 4 Kachelvoeler
- 5 Kachelvoelerkabels
- 6 Houtschroeven (16 mm)

Afb.3 Montage van de kachelvoeler

4.3. Bankvoeler F2 (optioneel) monteren

De bankvoeler moet op de cabinewand boven de achterste zitbank worden gemonteerd. Daarbij dient een afstand van ongeveer 15 cm tot het cabineplafond te worden aangehouden.

Om de bankvoeler te monteren, voert u de volgende stappen uit:

1. Monteer de 2-polige kabel van de bankvoeler in de wand van de saunacabine op de montageplaats van de bankvoeler en bevestig de kabels van de bankvoeler met kabelklemmen.
2. Trek de twee halve omhulsels van de bankvoeler uit elkaar.
3. Klem de twee aansluitingen van de bankvoelercabel aan de twee middelste klemmen van de aansluitplaat.
4. Leg de aansluitplaat dwars in de halve omhulsels van de bankvoeler.
5. Sluit de halve omhulsels en schroef deze vast met de beide kruiskopschroeven (9 mm).
6. Controleer of de bankvoeler vast gesloten is.
7. Monteer de bankvoeler aan de cabinewand met de beide meegeleverde houtschroeven (16 mm). Respecteer daarbij een afstand van 15 cm tot het cabineplafond.

NL

4.4. Vochtigheidstemperatuurvoeler FTS2 (optioneel, alleen PRO C3) monteren

De vochtigheids-temperatuurvoeler moet aan de cabinewand boven de achterste zitbank worden gemonteerd. Daarbij dient een afstand van ongeveer 15 cm tot het cabineplafond te worden aangehouden.

Voer voor de montage van de vochtigheidstemperatuurvoeler de volgende stappen uit:

1. Leg de 5-polige voelercabel in de wand van de saunacabine op de montageplaats van de vochtigheidstemperatuurvoeler en bevestig de voelercabels met kabelklemmen.
2. Monteer de vochtigheidstemperatuurvoeler met de twee meegeleverde houtschroeven (16 mm) aan de cabinewand. Houd daarbij een afstand van 15 cm tot het cabineplafond aan.

4.5. Folievoeler (optioneel) monteren

Als aan de extra uitgang infrarood-warmteplaten worden aangesloten, moet de folievoeler P-ISX-FF worden gebruikt.

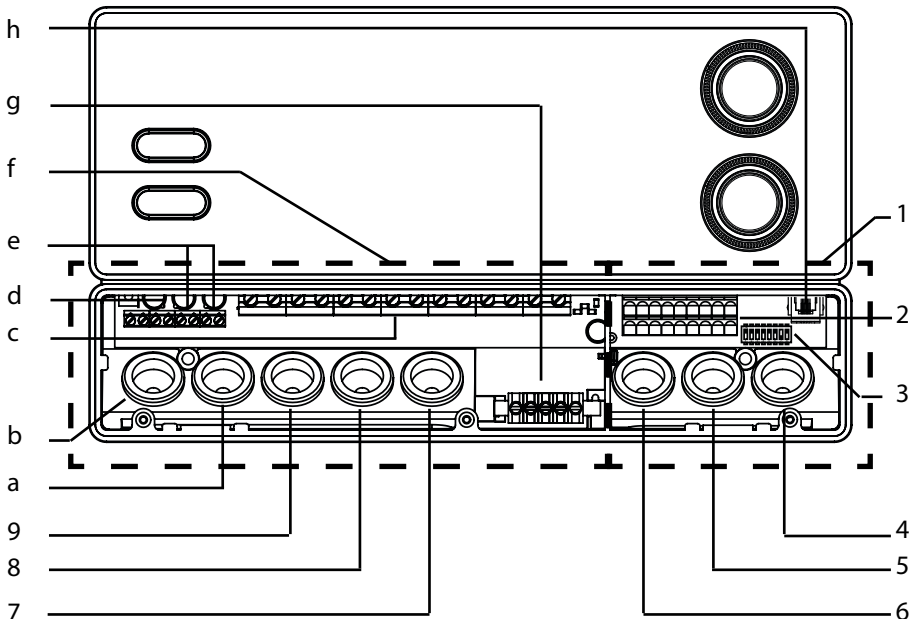
- Neem bij de montage van de folievoeler de bedieningshandleiding van de infrarood warmteplaten in acht.
- Het gebruik van de folievoeler moet in het technicusmenu worden geactiveerd (zie **8.2. Instellingen in het technicusmenu** op pagina 26).

5. Elektrische aansluiting

LET OP!

Schade aan het apparaat

- De saunabesturing mag enkel worden gebruikt voor de bediening en regeling van 3 verwarmingscircuits met een verwarmingsvermogen van max. 3,5 kW per verwarmingscircuit. Het maximale verdampervermogen (alleen PRO C3) bedraagt 3,5 kW. Het maximale vermogen van de extra uitgang bedraagt 3,5 kW.



- | | |
|---|---|
| 1 Aansluitbereik voor extra lage spanning | 8 Kabeldoorvoering voor kachelkabel |
| 2 Klemmenbord voor veiligheidsuitschakeling, afstandsbediening, statusuitgang en voelercabels | 9 Kabeldoorvoering voor voedingskabel |
| 3 Functieselectieschakelaar | a Kabeldoorvoering voor vermogensuitbreiding |
| 4 Kabeldoorvoering voor F2-, FTS2- en folievoeler | b Kabeldoorvoering voor licht en ventilator |
| 5 Kabeldoorvoering voor F1-voeler en statusuitgang | c Klemmenlijst voor kachel-, verdamper-, voedingskabel en aanvullend apparaat |
| 6 Kabeldoorvoering voor veiligheidsuitschakeling en afstandsbediening | d Klemmenlijst voor licht en ventilator |
| 7 Kabeldoorvoering voor verdamperkabel en extra uitgang | e Klemmenlijst voor vermogensuitbreiding |
| | f Aansluitbereik voor 230 V / 400 V |
| | g Aardingsrail |
| | h RJ45-bus voor RS-485 en MySento wifi |

Let bij de elektrische aansluiting van de saunabediening op volgende punten:

- De montage mag alleen door een elektricien of een vergelijkbaar gekwalificeerde persoon worden uitgevoerd.



Houd er rekening mee dat in geval van garantieclaim een kopie van de rekening van het gespecialiseerde elektrobedrijf moet worden voorgelegd.

- Werkzaamheden aan de saunabesturing mogen alleen in spanningsvrije toestand worden uitgevoerd.
- De elektrische voeding moet als vaste aansluiting uitgevoerd zijn.
- Op de plaats van opstelling moet een volledige scheidingsinrichting met complete uitschakeling overeenkomstig de overspanningscategorie III worden aangebracht.
- Raadpleeg het schakelschema (**Afb.4**) op pagina **23**.

5.1. Voedingskabel, kachel en verdamper aansluiten

1. Leid de voedings-, kachel- en verdamperkabel (alleen PRO C3) door de kabeldoorvoeringen 9, 8, 7 in het aansluitbereik voor 230 V / 400 V f.
2. Sluit de aansluitleidingen conform het aansluitschema aan op de klemmenlijst c. Neem daarbij de gebruiksaanwijzing van de desbetreffende apparaten in acht.
3. Voer bovendien de volgende stappen uit, indien de verdamper niet over een automatische weergave voor watergebrek beschikt:
 - Verbind met de bijgeleverde draadbruggen de klem "V1" met de klem "Wm".

5.2. Licht aansluiten

1. Leid de lichtleiding door de kabeldoorvoering b in het aansluitbereik voor 230 V / 400 V f.
2. Sluit de lichtleiding conform het aansluitschema aan op de klemmenlijst d. Neem daarbij de bedieningshandleiding van het desbetreffende apparaat in acht.

5.3. Ventilator (optioneel) aansluiten

1. Leid de ventilatorleiding door de kabeldoorvoering b in het aansluitbereik voor 230 V / 400 V f.
2. Sluit de ventilatorleiding conform het aansluitschema aan op de klemmenlijst d. Neem daarbij de bedieningshandleiding van het desbetreffende apparaat in acht.

5.4. Extra uitgang (optioneel) aansluiten

De extra uitgang kan bijvoorbeeld voor infraroodstralers of infrarood-warmteplaten worden gebruikt.

1. Steek de aansluitkabel van het extra apparaat door de kabeldoorvoeringen 7 in het aansluitbereik voor 230 V / 400 V f.
2. Sluit de aansluitleidingen conform het aansluitschema aan op de klemmenlijst c. Neem daarbij de bedieningshandleiding en de veiligheidsaanwijzingen van het desbetreffende apparaat in acht.



WAARSCHUWING!

Brandgevaar

De extra uitgang heeft geen oververhittingsbeveiliging. Daarom mogen voor de extra uitgang alleen intrinsiek veilige apparaten worden gebruikt.

- Als op de extra uitgang infraroodstralers worden aangesloten, moeten deze over een oververhittingsbeveiliging beschikken.
- Als op de extra uitgang een van volgende infrarood-warmteplaten worden aangesloten, moet de folievoeler P-ISX-FF worden gebruikt en in het technicummenu worden geactiveerd (zie **8.2. Instellingen in het technicummenu** op pagina **26**).

5.5. Vermogensuitbreiding (optioneel) aansluiten

NL

1. Leid de leiding van de vermogensuitbreiding door de kabeldoorvoering a in het aansluitbereik voor 230 V / 400 V f.
2. Sluit de leiding van de vermogensuitbreiding conform het aansluitschema aan op de klemmenlijst e. Gebruik daarbij klem "**ST1**" voor het veiligheidscircuit en klem "**ST2**" voor het bedieningscircuit. Neem de gebruiksaanwijzing van het desbetreffende apparaat in acht.

5.6. Kachelvoeler F1 aansluiten

1. Geleid de kachelvoelercabels door de kabeldoorvoering 5 in het aansluitbereik voor laagspanning 1.
2. Sluit de rode kachelvoelercabels aan op de klemmen met het opschrift "**STB**" op de klemmenstrook 2.
3. Sluit de witte kachelvoelercabels aan op de klemmen met het opschrift "**F1**" op de klemmenstrook 2.

5.7. Bankvoeler F2 (optioneel) aansluiten

1. Geleid de bankvoelercabels door de kabeldoorvoering 4 in het aansluitbereik voor laagspanning 1.
2. Sluit de kachelvoelercabels aan op de klemmen met het opschrift "**F2**" op klemmenstrook 2.

5.8. Vochtigheidstemperatuurvoeler FTS2 aansluiten (optioneel, alleen PRO C3)

1. Geleid de voelercabels door de kabeldoorvoering 4 in het aansluitbereik voor laagspanning 1.
2. Sluit de temperatuurvoelercabels aan op de klemmen met het opschrift "**F2**" op klemmenstrook 2.
 - a. de zwarte kabel aan op de rechter klem.
 - b. de bruine kabel aan op de linker klem.
3. Sluit de kabels van de vochtigheidsvoeler aan op de klemmen met het opschrift "**+ S -**" op klemmenstrook 2n.
 - c. de groene kabel op klem "**+**" aan.
 - d. de oranje kabel op klem "**S**" aan.
 - e. de rode kabel op klem "**-**" aan.

NL

5.9. Folievoeler (optioneel) aansluiten

1. Geleid de voelercabels door de kabeldoorvoering 4 in het aansluitbereik voor laagspanning 1.
2. Sluit de voelercabels aan op de klemmen met het opschrift "**FF**" op de klemmenstrook 2.

5.10. Veiligheidsuitschakeling / deursensor aansluiten

Volgens EN 60335-2-53 mogen saunabesturingen met afstandsbediening alleen worden gebruikt voor de besturing en regeling van een saunakachel die geslaagd is voor de afdeproef conform paragraaf 19.101. Alternatief kan een desbetreffende veiligheidsuitschakeling / deuropener worden gemonteerd. Deze schakelt de saunakachel uit wanneer voorwerpen (bijv. een handdoek) op de saunakachel worden gelegd of de saunadeur worden geopend.

Om de veiligheidsuitschakeling te monteren, voert u volgende stappen uit:

1. Monteer de veiligheidsuitschakeling conform de bedieningshandleiding van het apparaat.
2. Steek de kabels van de veiligheidsuitschakeling door de kabeldoorvoering 6 in het aansluitbereik voor laagspanning 1.
3. Sluit de kabels aan op de klemmen met het opschrift "**OSG**" op klemmenstrook 2.



Als er geen veiligheidsuitschakeling wordt gemonteerd, moet een draadbrug aan de klemmen met het opschrift „**OSG**” worden gemonteerd.

5.11. Starten op afstand

De aansluiting gebeurt via de klemmen "**S**", "**B**" en "**C**". "**S**" staat voor de saunamodus en "**C**" voor de verdampermodus. "**B**" is een +24 V DC uitgang. Deze moet via een schakelaar of een actuator op de klem „S" geschakeld worden voor de gewenste bedrijfsmodus.

5.12. Statusuitgang

Aan de klem voor de statusuitgang kan elke verbruiker worden aangesloten die geschikt is voor een spanning van 24 Volt gelijkstroom en niet meer dan 200 mA stroom verbruikt. Let bij de aansluiting op de juiste polen. Bij het gebruik van leds moet een geschikte voorschakelweerstand worden gebruikt.

5.13. Installatie afronden

1. Sluit de aardleiding van de toevoerleiding en alle apparaten aan op de aardingsrail g.
2. Plaats het deksel van de behuizing op de bovenste rand van de aansluitbox.
3. Druk de springsloten licht naar binnen en draai het deksel van de behuizing naar beneden tot deze hoorbaar vastklikt.

6. Controles uitvoeren



WAARSCHUWING!

De volgende controles worden uitgevoerd bij ingeschakelde stroomtoevoer. Er bestaat gevaar voor een elektrische schok.

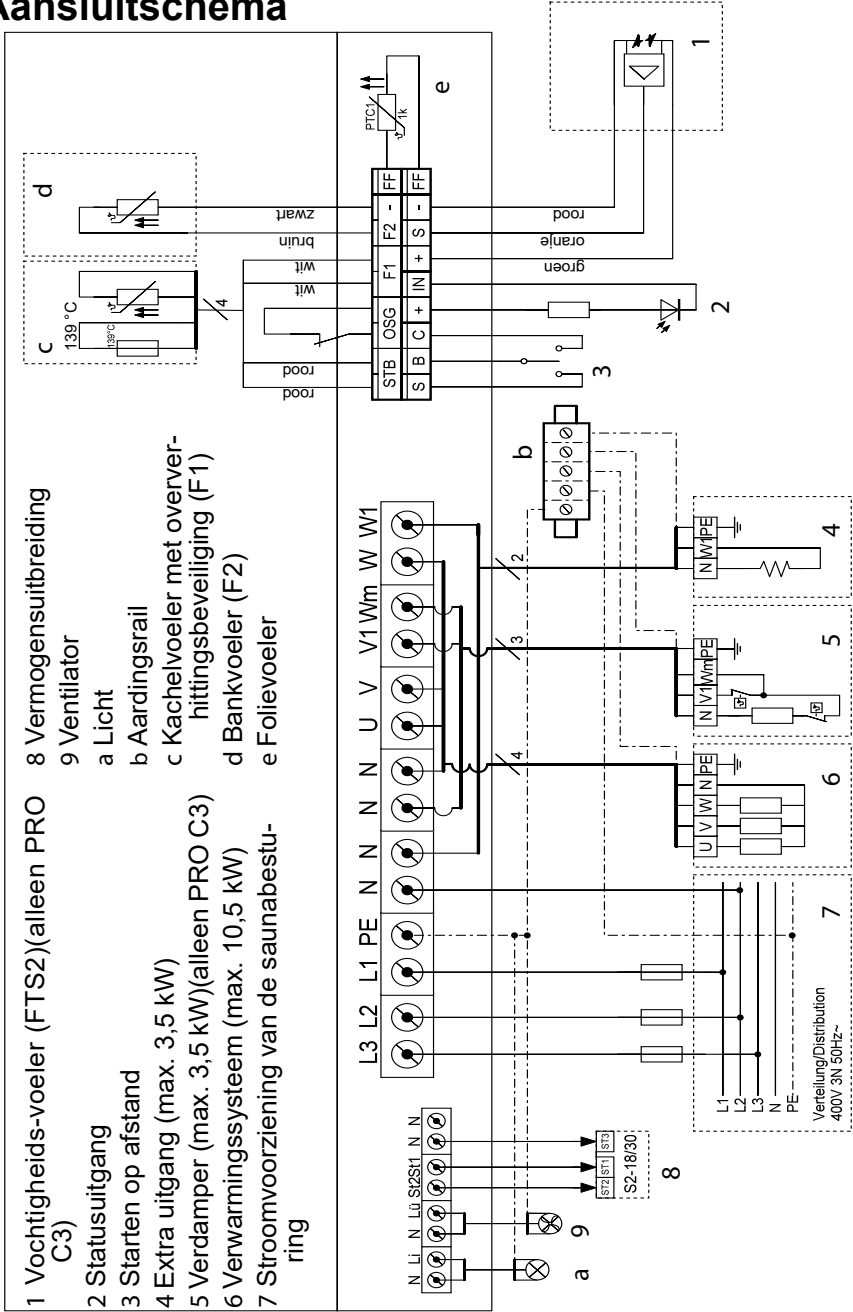
- Raak NOOIT onderdelen aan die onder spanning staan.

De volgende controles moeten worden uitgevoerd door een erkende electricien.

1. Controleer het contact van de aarddraden met de aardklem.
2. Controleer de oververhittingsbeveiliging van de kachelvoeler F1.
 - a. Schakel de saunabesturing in.
 - b. Open de kachelvoeler en maak een van de twee rode kabels van de kachelvoeler los.
 - ▶ Een waarschuwingstoon klinkt herhaaldelijk, in het bovenste display wordt "Err" weergegeven, in het onderste display "02".
 - ▶ De besturing schakelt de kachel uit.
 - c. Schakel de saunabesturing uit.
 - d. Sluit de rode kabel van de kachelvoeler weer aan.
 - e. Maak nu een van de witte kabels van de kachelvoeler los.
 - f. Schakel de saunabesturing in.
 - ▶ Een waarschuwingstoon klinkt herhaaldelijk, in het bovenste display wordt "Err" weergegeven, in het onderste display "04F1".
 - ▶ De besturing schakelt de kachel uit.
 - g. Schakel de saunabesturing uit.
 - h. Sluit de witte kabel van de kachelvoeler weer aan.
3. Controleer de fasedoorschakeling voor de sauna-modus L1, L2, L3 naar U, V, W.
4. Bij PRO C3: Controleer de fasedoorschakeling voor verdampermodus L1, L2, L3 naar U, V1, W.
5. Controleer de fasedoorschakeling van L3 naar W1 bij activering van het apparaat dat aangesloten is op de extra uitgang.
6. Controleer het maximaal toegestane verwarmingsvermogen op de saunabesturing van 3,5 kW per fase.
7. Bij optionele vermogensuitbreiding
 - a. Controleer de bedieningskabels ST1, ST2 en ST3.
 - b. Controleer het maximaal toegestane verwarmingsvermogen op de vermogensuitbreiding S2-18 van 3 kW per fase.
 - c. Controleer het maximaal toegestane verwarmingsvermogen op de vermogensuitbreiding S2-30 van 7 kW per fase.

7. Aansluitschema

Afb.4 Aansluitschema

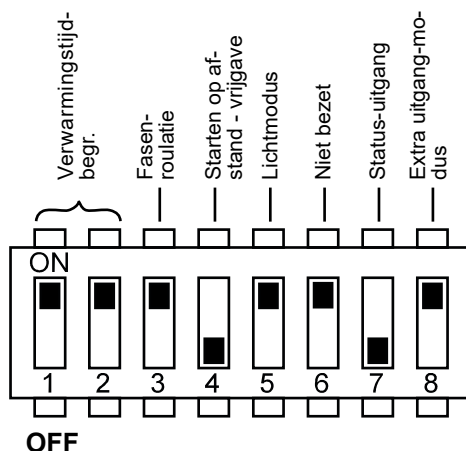


8. Inbedrijfstelling

8.1. Instelling van de functieselectieschakelaar

Via de functieschakelaar in het aansluitbereik voor laagspanning kunnen verschillende productfuncties worden geactiveerd. De afbeelding rechts toont de standaardinstelling van de functieschakelaar.

Houd er rekening mee dat na wijzigingen de besturing 10 seconden moet worden uitgeschakeld, om de instellingen op te slaan.



Afb.5 Functiekeuzeschakelaar - standaardinstelling

Verwarmingstijdbegrenzing instellen

De maximale verwarmingstijd is standaard op 6 u ingesteld. Uit veiligheidsoverwegingen schakelt de saunabesturing na maximale verwarmingstijd automatisch uit.

Via de functieselectieschakelaar in het aansluitbereik voor extra lage spanning kan de maximale verwarmingsduur op 12 u, 18 u of 24 u worden ingesteld. De hiervoor verantwoordelijke posities van de functieselectieschakelaar staan in de tabel rechts.

Functieselectieschakelaar	1	2
6 u	ON	ON
12 u	OFF	ON
18 u	ON	OFF
24 h	OFF	OFF



EN 60335-2-53 schrijft voor privésauna's een begrenzing van de verwarmingstijd van 6 u voor. Voor sauna's in hotels, woonblokken en dergelijke is een verwarmingstijdbegrenzing van maximaal 12 u toegestaan. De uitbreiding van de verwarmingstijdbegrenzing tot 18 u of 24 u is alleen in publieke sauna's toegestaan.

Fasenroulatie activeren/deactiveren

De fasenroulatie wordt via de functiekeuzeschakelaar **3** geactiveerd resp. gedeactiveerd.

- Standaard staat de functiekeuzeschakelaar **3** in de ON-stand. De fasenroulatie is dan geactiveerd.
- Wanneer u de fasenroulatie wilt deactiveren, zet u de functieschakelaar **3** in de OFF-stand.

Starten op afstand - vrijgave

Met de functiekeuzeschakelaar **4** kan de functie van de starten op afstand - uitgang worden geselecteerd (zie EN60335-2-53).

- Standaard bevindt de functiekeuzeschakelaar **4** zich in de OFF-positie. Het starten op afstand wordt middels de functie „Stand-by voor bediening op afstand” geactiveerd.
- Als u de bedienen op afstand - uitgang voor div. apparaten (bijv. Münzer, starten op afstand - systeem, deurbewaking) wilt vrijschakelen, zet de functiekeuzeschakelaar **4** in de ON-positie.

Licht-bedrijfsmodus instellen

Het cabinelicht kan naar wens gedimd of geschakeld worden. De dimfunctie wordt via de functiekeuzeschakelaar **5** geactiveerd resp. gedeactiveerd.

- Standaard bevindt de functieschakelaar **5** zich in de ON-positie. De dimfunctie is zo geactiveerd.
 - ▶ Neem het punt „**Licht-dimcurve wijzigen**” op pagina **29** in acht, om de dimcurve te wijzigen.
- Wanneer u de dimfunctie van het cabinelicht wilt deactiveren, zet u de functiekeuzeschakelaar **5** in de OFF-stand.

Statusuitgang

Met behulp van de functieselectieschakelaar **7** kan worden bepaald of de statusuitgang tijdens de saunabedrijfsmodus of tijdens het nadroogprogramma is geactiveerd. De activering tijdens het nadroogprogramma maakt het automatisch legen van de verdamper bij combikachels met auto-refillfunctie mogelijk.

- Standaard bevindt de functiekeuzeschakelaar **7** zich in de OFF-positie. De statusuitgang is dan tijdens de saunabedrijfsmodus geactiveerd.
- Wanneer u de statusuitgang tijdens het nadroogprogramma wilt activeren, zet u de functiekeuzeschakelaar **7** in de ON-positie.

Bedrijfsmodus van de extra uitgang instellen

De extra uitgang kan naar wens gedimd of geschakeld worden. De dimfunctie wordt via de functiekeuzeschakelaar **8** geactiveerd resp. gedeactiveerd.

- Standaard bevindt de functieschakelaar **8** zich in de ON-positie. De dimfunctie is zo geactiveerd.
- Wanneer u de dimfunctie van de extra uitgang wilt deactiveren, zet u de functiekeuzeschakelaar **8** in de OFF-stand.

8.2. Instellingen in het technicusmenu

Technicusmenu oproepen

In het technicusmenu kunnen meer instellingen worden uitgevoerd. Voer het volgende uit om het technicusmenu te openen:

1. Schakel de saunabesturing uit.
2. Druk gelijktijdig op de onderste draaiknop en de IN/UIT-schakelaar.
 - ▶ In het bovenste display verschijnt kort "SEtt".
 - ▶ De beide draaiknoppen knipperen.

NL

De instellingen worden opgeslagen zodra het technicusmenu wordt beëindigd (zie **Technicusmenu beëindigen** op **pagina 30**).

Modus met een voeler activeren

In de modus met een voeler wordt de saunabediening enkel gebruikt met de kachelvoeler met oververhittingsbeveiliging (F1-voeler). Standaard is de modus met twee voelers geactiveerd. Als u de modus met een voeler wilt activeren, voert u volgende stappen uit:

1. Roep het technicusmenu op (zie **26**).
2. Draai de bovenste draaiknop op het temperatuursymbool (positie **A** – zie punt **9.2** op pagina **31**).
 - ▶ Het temperatuursymbool knippert.
 - ▶ In het bovenste display verschijnt kort "SEnB".
 - ▶ In het onderste display verschijnt "On".
("On" betekent geactiveerde modus met twee voelers.)
3. Draai de onderste draaiknop naar links.
 - ▶ In het onderste display verschijnt "OFF".
 - ▶ De modus met een voeler is geactiveerd.

Kacheltemperatuur in modus met een voeler weergeven

In de modus met een voeler geeft de saunabediening standaard alleen de ingestelde temperatuur weer. De werkelijke temperatuur wordt niet weergegeven. Als de saunabediening in modus met een voeler de temperatuur boven de kachel (F1-voeler) als werkelijke temperatuur moet weergeven, moet deze in het technicusmenu worden geactiveerd.

1. Roep het technicusmenu op (zie pagina **26**)
2. Activeer de eenvoelermodus (zie pagina **26**).
 - ▶ In het bovenste display staat "SEnB".
 - ▶ In het onderste display staat "OFF".
3. Druk op de onderste draaiknop.
 - ▶ In het bovenste display verschijnt "dISP".
 - ▶ Op het onderste display verschijnt "SET" (in eenvoelermodus wordt alleen de ingestelde temperatuur weergegeven.)
4. Draai de onderste draaiknop naar links.
 - ▶ Op het onderste display verschijnt "SEnS" (de kacheltemperatuur (F1-voeler) wordt als werkelijke temperatuur in eenvoelermodus weergegeven)

Hoogste temperatuur tot 105 °C reduceren

Standaard kan de gewenste temperatuur worden ingesteld van 30°C tot 110°C. Voer volgende stappen uit, als u de hoogste temperatuur van 110 °C tot 105 °C wilt reduceren:

NL

1. Roep het technicusmenu op (zie **26**).
2. Draai de bovenste draaiknop op het temperatuursymbool (positie **A** – zie punt **9.2** op pagina).
 - ▶ Het temperatuursymbool knippert.
 - ▶ In het bovenste display verschijnt kort "SEnB".
3. Druk meerdere keren op de onderste draaiknop tot in het bovenste display "tHI" verschijnt.
 - ▶ In het onderste display verschijnt "110".
4. Draai de onderste draaiknop naar links.
 - ▶ Op het onderste display verschijnt "105" (maximale temperatuur op 105 °C ingesteld)

Gelijktijdige weergave van de temperatuur en de vochtigheidswaarde activeren

Voer de volgende stappen uit, om de gelijktijdige weergave van temperatuur en vocht te activeren:

1. Roep het technicusmenu op (zie **26**).

2. Draai de bovenste draaiknop op het temperatuursymbool (positie **A** – zie punt **9.2** op pagina **31**).
 - ▶ Het temperatuursymbool knippert.
 - ▶ In het bovenste display verschijnt „SEnB”.
3. Druk meerdere keren op de onderste draaiknop tot in het bovenste display „lSt2” verschijnt.
4. Draai de onderste draaiknop naar links resp. rechts om de functie te activeren resp. te deactiveren.

Verdamper-singlemodus activeren (alleen PRO C3)

De verdamper kan standaard alleen samen met het verwarmingssysteem in bedrijf worden gesteld. Om de verdamper alleen zonder verwarmingssysteem te kunnen gebruiken, moet deze functie worden geactiveerd. Voer hiervoor volgende stappen uit:

1. Roep het technicusmenu op (zie **26**).
2. Draai de bovenste draaiknop op het vochtigheidssymbool (positie **B** – zie punt **9.2** op pagina **31**).
 - ▶ Het vochtsymbool knippert.
 - ▶ In het bovenste display verschijnt „SIn”.
 - ▶ In het onderste display verschijnt „OFF”.(gedeactiveerde verdamper-singlemodus.)
3. Draai de onderste draaiknop naar rechts.
 - ▶ In het onderste display verschijnt „On”.(geactiveerde verdamper-singlemodus)

Looptijd nadroogprogramma instellen (alleen PRO C3)

Standaard is de maximale looptijd van het nachtdroogprogramma ingesteld op 30 min. Voer volgende stappen uit, om deze instelling te wijzigen:

1. Roep het technicusmenu op (zie **26**).
2. Draai de bovenste draaiknop op het vochtigheidssymbool (positie **B**)
 - ▶ Het vochtsymbool knippert.
 - ▶ In het bovenste display verschijnt „SIn”.
3. Druk op de onderste draaiknop.
 - ▶ In het onderste display verschijnt „t30”.
4. Draai de onderste draaiknop (keuze 0 - 60; 0 = nadroogprogramma uitgeschakeld; 60 = maximale looptijd in minuten)

Folievoeler activeren/deactiveren

Als aan de extra uitgang infrarood-warmteplaten worden aangesloten, moet de folievoeler P-ISX-FF worden gebruikt. De folievoeler moet worden geactiveerd. Voer hiervoor volgende stappen uit:

1. Roep het technicusmenu op (zie **26**).
2. Draai de bovenste draaiknop op het symbool extra uitgang (positie **C** – zie punt **9.2** op pagina **31**).
 - ▶ Het extra uitgang-symbool brandt.
 - ▶ In het bovenste display verschijnt "SEnF".
 - ▶ In het onderste display verschijnt "OFF". (gedeactiveerde folievoeler)
3. Draai de onderste draaiknop naar rechts.
 - ▶ In het onderste display verschijnt „On“. (geactiveerde folievoeler)

Licht-dimcurve wijzigen

Omdat gloeilampen en leds verschillend op de dimfunctie reageren, kan de dimcurve overeenkomstig het gebruikte lichtstelsel worden geselecteerd.

1. Roep het technicusmenu op (zie **26**).
2. Draai de bovenste draaiknop op het lichtsymbool (positie **D** – zie punt **9.2** op pagina **31**).
 - ▶ Het lichtsymbool brandt.
 - ▶ In het bovenste display verschijnt „tYPe“.
 - ▶ In het onderste display verschijnt „BULB“.
(„BULB“ betekent dat de dimcurve voor gloeilampen is geactiveerd.)
3. Draai de onderste draaiknop naar links.
 - ▶ In het onderste display verschijnt „LED“.
(„LED“ betekent dat de dimcurve voor leds is geactiveerd.)

Ventilator-bedrijfsmodus instellen

De ventilator kan naar wens gedimd of geschakeld worden. Standaard is de dimfunctie van de ventilator geactiveerd. Voer volgende stappen uit, als u de dimfunctie van de ventilator wilt activeren:

1. Roep het technicusmenu op (zie **26**).
2. Draai de bovenste draaiknop op het ventilatorsymbool (positie **B** – zie punt **9.2** op pagina **31**).
 - ▶ Het ventilatorsymbool brandt.
 - ▶ In het bovenste display verschijnt "FAn".
 - ▶ In het onderste display verschijnt "On".
(„On“ betekent geactiveerde dimfunctie.)

3. Draai de onderste draaiknop naar links.
 - ▶ In het onderste display verschijnt "OFF".
 - ▶ De dimfunctie van de ventilator geactiveerd.

Veiligheidsuitschakeling / deursensor activeren

Standaard is de veiligheidsuitschakeling geactiveerd. Als u de deuropener-functie wilt activeren, voert u volgende stappen uit:

1. Roep het technicusmenu op (zie **26**).
2. Draai de bovenste draaiknop op het afstandsbediening symbool (positie **J** – zie punt **9.2** op pagina **31**).
 - ▶ Het symbool Starten op afstand knippert.
 - ▶ In het bovenste display verschijnt „SdO“.
 - ▶ In het onderste display verschijnt „SAFE“.
3. Draai de onderste draaiknop naar rechts.
 - ▶ In het onderste display verschijnt „door“.
 - ▶ De deursensor is geactiveerd.

Softwarestand opvragen

Voer de volgende stappen uit, om de softwareversie van uw saunabesturing op te vragen:

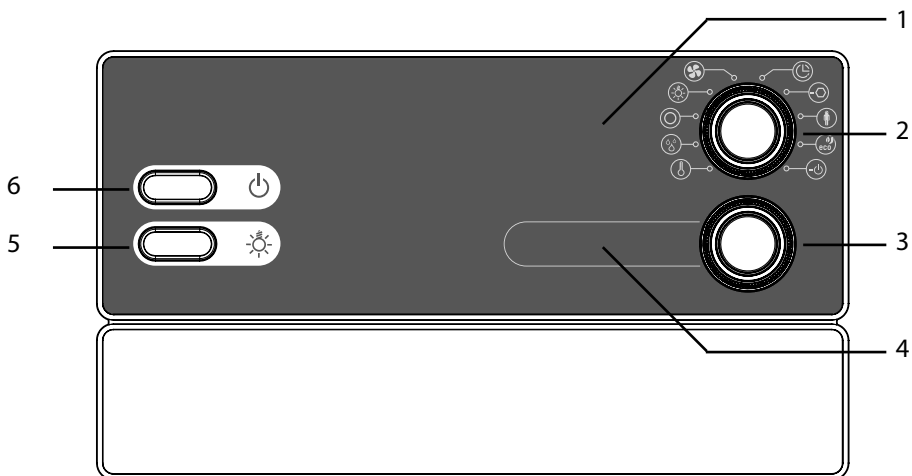
1. Roep het technicusmenu op (zie **26**).
2. Draai de bovenste draaiknop op het Eco-symbool (positie **I** – zie punt **9.2** op pagina **31**).
 - ▶ in het bovenste display verschijnt softwarestand „5.00.5“.

Technicusmenu beëindigen

- Druk gedurende een seconde (longpress) op de onderste draaiknop.
 - ▶ De onderste draaiknop stopt met knipperen.
 - ▶ De bovenste draaiknop brandt.
 - ▶ Het technicusmenu is beëindigd.
 - ▶ Hun instellingen worden opgeslagen.

9. Bedieningselementen

9.1. Aanduiding van de bedienelementen



1 Aanvullende weergave

2 Functieselector

3 Intensiteitsselector

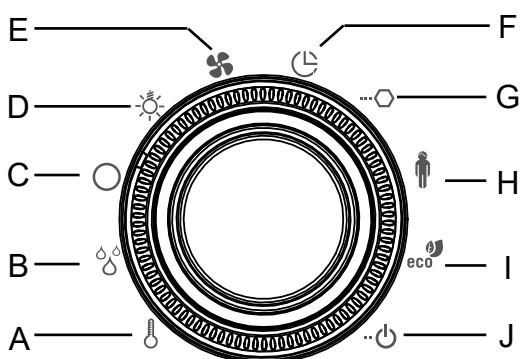
4 Intensiteitsweergave

5 Lichtschakelaar

6 IN/UIT-schakelaar

9.2. De functieselector

Met de functieselector 2 bepaalt u welke functie met de intensiteitsselector 3 moet worden gewijzigd. De functieselector 2 brandt als de saunabediening is ingeschakeld.



- A Temperatuur
- B Vochtigheid (alleen PRO C3)
- C Extra uitgang
- D Licht
- E Ventilator
- F Voorselectietijd
- G Looptijd
- H Gebruikersprogramma's
- I Eco-functie
- J Afstandsbediening

9.3. De intensiteitsselector

Met de intensiteitsselector 3 wijzigt u de intensiteit resp. het vermogen van de functie die op de functieselector 2 is geselecteerd.

- Draai de intensiteitsselector 3 naar rechts om het vermogen te verhogen.
- Draai de intensiteitsselector 3 naar links om het vermogen te verlagen.

Als u op de intensiteitsselector 3 drukt, start u de functie die op de functieselector 2 is geselecteerd.

- De intensiteitsselector 3 brandt, als de functie die op de functieselector 2 is geselecteerd, is ingeschakeld.

10. Bediening

10.1. Licht inschakelen

Het licht in de saunacabine kan onafhankelijk van de AAN/UIT-schakelaar 6 worden in- en uitgeschakeld.

- Druk op de lichtschakelaar 5 om het licht in of uit te schakelen.

NL



Wanneer de lichtschakelaar 5 ingeschakeld is, brandt het cabinelicht altijd met vol vermogen. Als u het licht via de intensiteitsselector 3 wilt dimmen, schakelt u de lichtschakelaar 5 uit.

10.2. Saunabesturing inschakelen

- Druk op de IN/UIT-schakelaar 6 om de saunabediening in te schakelen.
 - ▶ De functieselector 2 brandt.



Algemene bediening

1. Draai de functieselector 2 op de functie (sauna, vochtigheid, licht, ventilator, extra uitgang) die u wilt starten of uitschakelen.
 2. Selecteer met de intensiteitsselector 3 de gewenste intensiteit van de functie.
 3. Druk op de intensiteitsselector 3 om de functie te starten of uit te schakelen.
-



Als u de saunakachel (temperatuurfunctie **A**) uitschakelt, wordt automatisch ook de verdamp(er) (vochtigheidsfunctie **B**) uitgeschakeld.

10.3. Saunamodus starten



WAARSCHUWING!

Brandgevaar

Brandbare voorwerpen die op de hete saunakachel liggen, kunnen ontvlammen en brand veroorzaken.

- Leg **NOOIT** brandbare voorwerpen op de saunakachel.
- Controleer of er **GEEN** brandbare voorwerpen op de saunakachel liggen voordat u de saunabesturing inschakelt.

1. Draai de functieselector 2 in de positie **A** (temperatuur).
 - ▶ Het temperatuursymbool brandt.
2. Stel met de intensiteitsselector 3 de gewenste temperatuur in.
3. Druk op de intensiteitsselector 3.
 - ▶ De saunakachel wordt ingeschakeld en begint te verwarmen.
 - ▶ De intensiteitsselector 3 brandt.
 - ▶ In de intensiteitsweergave 4 wordt de actuele temperatuur in de cabine weergegeven. In modus met een voeler wordt de moet-temperatuur weergegeven.

NL

10.4. Combimodus starten (alleen PRO C3)

1. Draai de functieselector 2 in de positie **A** (temperatuur).
 - ▶ Het temperatuursymbool brandt.
2. Stel met de intensiteitsselector 3 de gewenste temperatuur in.
3. Druk op de intensiteitsselector 3.
 - ▶ De saunakachel wordt ingeschakeld en begint te verwarmen.
 - ▶ De intensiteitsselector 3 brandt.
 - ▶ In de intensiteitsweergave 4 wordt de actuele temperatuur in de cabine weergegeven. In modus met een voeler wordt de moet-temperatuur weergegeven.
4. Draai de functieselector 2 in de positie **B** (vochtigheid).
 - ▶ Het vochtigheidssymbool brandt.
 - ▶ Het licht op de intensiteitsselector 3 gaat uit.
5. Stel met de intensiteitsselector 3 de gewenste vochtigheid in.

6. Druk op de intensiteitsselector 3.
 - ▶ De verdamper wordt ingeschakeld.
 - ▶ De intensiteitsselector 3 brandt.
 - ▶ In de intensiteitsweergave 4 wordt de actuele vochtigheid in de cabine weergegeven. Als geen vochtigheidstemperatuurvoeler is gemonteerd, wordt de moet-vochtigheid weergegeven.



De verdamper (vochtigheidsfunctie **B**) kan enkel dan worden gestart wanneer de saunakachel (temperatuurfunctie **A**) is ingeschakeld. Hierbij is de maximaal instelbare gewenste vochtigheid afhankelijk van de saunatemperatuur. Hoe hoger de saunatemperatuur, hoe lager de maximaal instelbare vochtigheidswaarde.

Uitzondering: Verdamper-singlemodus is geactiveerd (zie „**8.2. Instellingen in het technicusmenu**” op pagina 26). Hier kan de verdamper ook zonder saunakachel in bedrijf worden gesteld, waarbij de maximale vochtigheid van de actuele cabinetemperatuur afhangt.



Als de saunabesturing zonder vochtigheidstemperatuurvoeler (FTS2) wordt gebruikt, is cyclusbedrijf geactiveerd. Als de cabinetemperatuur zich onder 30 °C bevindt, wordt de verdamper gedurende 10 minuten continu ingeschakeld. Dit zorgt ervoor dat het water in de tank een basistemperatuur bereikt. Daarna wordt het cyclusbedrijf gestart.

NL

10.5. Extra uitgang starten

Op de extra uitgang van de saunabesturing kunnen bijvoorbeeld infraroodlampen of infrarood-warmteplaten worden aangesloten.



WAARSCHUWING! **Brandgevaar**

Brandbare voorwerpen die op of voor de hete infraroodstraler liggen, kunnen ontvlammen en brand veroorzaken.

- Leg **NOOIT** brandbare voorwerpen op of voor de infraroodstraler.
- Controleer of zich **GEEN** brandbare voorwerpen op of voor de infraroodstraler bevinden, voordat u deze inschakelt.

Voor de extra uitgang zijn 2 verschillende bedrijfsmodi beschikbaar:

1. **Intensiteitsregeling**
2. **Ruimtetemperatuurregeling**

Ga als volgt te werk, om tussen beide bedrijfsmodi te schakelen:

1. Draai de functieselector 2 in de positie **C** (extra uitgang).
 - ▶ Het extra uitgang-symbool brandt.
 - ▶ In de intensiteitsweergave 4 wordt afhankelijk van de bedrijfsmodus een intensiteitswaarde of een temperatuur weergegeven.
2. Druk gedurende drie seconden (longpress) op de onderste draaiknop.
 - ▶ In het bovenste display wordt kort de zojuist ingestelde bedrijfsmodus weergegeven:
 - Weergave: „**StEP**” – de extra uitgang bevindt zich in de **intensiteitsregeling**.
 - Weergave: „**StEP**” – de extra uitgang bevindt zich in de **ruimtetemperatuurregeling**.

Intensiteitsregeling bij geactiveerde dimfunctie

Wanneer de dimfunctie van de extra uitgang is geactiveerd, kunt u het vermogen van het extra apparaat op een schaal van 0 tot 7 instellen. Bij de waarde 0 is het aanvullende apparaat uitgeschakeld. De waarde 7 komt overeen met het volle vermogen.

1. Draai de functieselector 2 in de positie **C** (extra uitgang).
 - ▶ Het extra uitgang-symbool brandt.
2. Stel met de intensiteitsselector 3 het gewenste vermogen van het aanvullende apparaat in.
3. Druk op de intensiteitsselector 3.
 - ▶ Het extra apparaat wordt ingeschakeld.
 - ▶ De intensiteitsselector 3 brandt.

NL

Intensiteitsregeling bij gedeactiveerde dimfunctie

Wanneer de dimfunctie van de extra uitgang is gedeactiveerd, kunt u het extra apparaat enkel in- en uitschakelen. Het apparaat loopt altijd op vol vermogen.

1. Draai de functieselector 2 in de positie **C** (extra uitgang).
 - ▶ Het extra uitgang-symbool brandt.
 - ▶ In de intensiteitsweergave verschijnt "OFF".
2. Druk op de intensiteitsregelaar 3.
 - ▶ Het extra apparaat wordt ingeschakeld.
 - ▶ De intensiteitsselector 3 brandt.
 - ▶ In de intensiteitsweergave verschijnt "On".

Ruimtetemperatuurregeling van de extra uitgang

Als de bedrijfsmodus van de extra uitgang op ruimtetemperatuurregeling is gezet, kan een cabinettemperatuur worden ingesteld die via de extra uitgang wordt geregeld. Dit kan worden gebruikt om de cabinettemperatuur uitsluitend via infraroodstralers resp. infrarood-warmteplaten te regelen.

Instelmogelijkheden:

- Infraroodstralers (zonder folievoeler): 30 - 70° C
- Infrarood-warmteplaten (met folievoeler): 30 - 50° C



Als de saunakachel al actief is resp. de saunakachel aanvullend wordt gestart, is geen temperatuurregeling van de extra uitgang mogelijk. De bedrijfsmodus wordt automatisch op vermogensregeling gezet en de extra uitgang loopt op het hoogste niveau verder.

10.6. Licht inschakelen

Bij geactiveerde dimfunctie

Wanneer de dimfunctie van het licht is geactiveerd, kunt u het vermogen van het licht van niveau 0 tot niveau 100 instellen. Bij de waarde 0 is het licht uitgeschakeld. De waarde 100 komt overeen met het volle vermogen.

1. Draai de functieselector 2 in de positie **D** (licht).
 - ▶ Het lichtsymbool brandt.
2. Stel met de intensiteitsselector 3 het gewenste lichtvermogen in.
3. Druk op de intensiteitsselector 3.
 - ▶ Het licht wordt ingeschakeld.

De intensiteitsselector 3 brandt.



Wanneer de lichtschakelaar 5 ingeschakeld is, brandt het cabinelicht altijd met vol vermogen. Als u het licht via de intensiteitsselector 3 wilt dimmen, schakelt u de lichtschakelaar 5 uit.

Bij gedeactiveerde dimfunctie

Wanneer de dimfunctie van het licht is gedeactiveerd, kunt u het licht alleen in- en uitschakelen. Het licht brandt altijd met vol vermogen.

1. Draai de functieselector 2 in de positie **D** (licht).
 - ▶ Het lichtsymbool brandt.
 - ▶ In de intensiteitsweergave verschijnt "OFF".
2. Druk op de intensiteitsregelaar 3.
 - ▶ Het licht wordt ingeschakeld.
 - ▶ De intensiteitsselector 3 brandt.
 - ▶ In de intensiteitsweergave verschijnt "On".

10.7. Ventilator starten

Bij geactiveerde dimfunctie

Wanneer de dimfunctie van de ventilator is geactiveerd, kunt u het vermogen van de ventilator op een schaal van 0 tot 100 instellen. Bij de waarde 0 is de ventilator uitgeschakeld. De waarde 100 komt overeen met het volle vermogen.

1. Draai de functieselector 2 in de positie **E** (ventilator).
 - ▶ Het ventilatorsymbool brandt.
2. Stel met de intensiteitsselector 3 het gewenste vermogen van de ventilator in.
3. Druk op de intensiteitsselector 3.
 - ▶ De ventilator wordt ingeschakeld.
 - ▶ De intensiteitsselector 3 brandt.

Bij gedeactiveerde dimfunctie

Wanneer de dimfunctie van de ventilator is gedeactiveerd, kunt u het licht enkel in- en uitschakelen. Het apparaat loopt altijd op vol vermogen.

1. Draai de functieselector 2 in de positie **E** (ventilator).
 - ▶ Het ventilatorsymbool brandt.
 - ▶ In de intensiteitsweergave verschijnt "OFF".
2. Druk op de intensiteitsregelaar 3.
 - ▶ De ventilator wordt ingeschakeld.
 - ▶ De intensiteitsselector 3 brandt.
 - ▶ In de intensiteitsweergave verschijnt "On".

NL

10.8. Voorkeuzetijd instellen

U kunt de voorkeuzetijd op de minuut nauwkeurig instellen. De maximale voorselectietijd bedraagt 24 uur. De voorselectietijd wordt in uren en minuten weergegeven. Zo worden bijvoorbeeld 8 uur en 15 minuten als 8.15 weergegeven.



WAARSCHUWING!

Brandgevaar

Brandbare voorwerpen die op de hete saunakachel liggen kunnen ontvlammen en brand veroorzaken.

- Leg **NOOIT** brandbare voorwerpen op de saunakachel.
- Controleer of **GEEN** brandbare voorwerpen op de saunakachel liggen, alvorens de voorselectietijdfunctie te activeren.

1. Start de functies die na afloop van de voorkeuzetijd moeten worden gestart.
2. Draai de functieselector 2 in de positie **F** (voorselectietijd).
 - ▶ In de intensiteitsweergave 4 wordt de laatst ingestelde voorselectietijd weergegeven.
3. Stel met de intensiteitsselector 3 de gewenste voorselectietijd in.
4. Druk op de intensiteitsselector 3.
 - ▶ De saunabesturing wisselt naar de stand-bymodus en de timer loopt.
 - ▶ In de intensiteitsweergave 4 wordt de resterende voorselectietijd weergegeven.
 - ▶ Het voorselectietijd-symbool knippert.
 - ▶ De intensiteitsselector 3 brandt.
 - ▶ Na afloop van de voorkeuzetijd worden de geselecteerde functies gestart.

10.9. Voorkeuzetijdfunctie annuleren

- Druk op de intensiteitsselector 3 om de voorselectietijd-functie te annuleren.
 - ▶ Het aflopen van de voorselectietijd wordt geannuleerd.
 - ▶ Het voorselectietijd-symbool brandt constant.

NL

10.10. Looptijd instellen

U kunt al bij het starten van de sauna bepalen hoe lang de sauna gebruikt gaat worden. Hierbij kan de maximale verwarmingstijd (bijvoorbeeld 6 u voor privé-sauna's) niet worden overschreden. De looptijd wordt in uren en minuten weergegeven. Zo worden bijvoorbeeld 3 uur en 15 minuten als 3.15 weergegeven.

1. Draai de functieselector 2 in de positie **G** (looptijd).
 - ▶ In de intensiteitsweergave 4 wordt de laatst ingestelde looptijd weergegeven.
2. Stel met de intensiteitsselector 3 de gewenste looptijd in.
3. Druk gedurende drie seconden (longpress) op de onderste draaiknop, om de looptijd permanent op te slaan.
 - ▶ De onderste draaiknop brandt 4 keer – de instelling is opgeslagen.



- Druk op de intensiteitsselector 3 en verdraai deze gelijktijdig.
 - ▶ De voorselectietijd resp. looptijd verandert in stappen van een uur.

10.11. Stand-by voor bediening op afstand activeren

Conform EN 60335-2-53 moeten saunabesturingen met startfunctie op afstand handmatig op de bedrijfsmodus „Stand-by voor bediening op afstand” worden gezet.



Deze activering moet na elke start en stop op afstand opnieuw worden uitgevoerd.

Bij geactiveerde veiligheidsuitschakeling (standaard)

Voer hiervoor volgende stappen uit:

1. Draai de functieselector 2 in de positie **J** (start op afstand).
 - ▶ In de intensiteitsweergave 4 wordt „oFF“ weergegeven.
2. Druk op de onderste draaiknop om de bedrijfsmodus „Stand-by voor bediening op afstand” te activeren.
 - ▶ In de intensiteitsweergave 4 wordt „on” weergegeven en het symbool voor starten op afstand begint te knipperen.
 - ▶ De saunabesturing is nu klaar om via een signaal op afstand te worden gestart en gestopt.
 - ▶ Na uitgevoerde start en stop op afstand gaat het symbool voor starten op afstand uit en moet de bedrijfsmodus opnieuw worden geactiveerd.

Bij geactiveerde deursensor

Voer hiervoor volgende stappen uit:

1. Draai de functieselector 2 in de positie **J** (start op afstand).
 - ▶ In de intensiteitsweergave 4 wordt „oFF“ weergegeven.
2. Druk op de onderste draaiknop om de bedrijfsmodus „Stand-by voor bediening op afstand” te activeren.
 - ▶ In de intensiteitsweergave 4 wordt een countdown van 30 seconden getoond. De deur kan gedurende deze tijd willekeurig vaak worden geopend / gesloten. Na afloop van de countdown moet de deur zijn gesloten!
 - ▶ In de intensiteitsweergave 4 wordt „rc” weergegeven en het symbool voor starten op afstand begint te knipperen.
 - ▶ De saunabesturing is nu klaar om via een signaal op afstand te worden gestart (= modus „Stand-by voor bediening op afstand”)
 - ▶ Na uitgevoerde start en stop op afstand gaat het symbool voor starten op afstand uit en moet de bedrijfsmodus opnieuw worden geactiveerd.

Deur wordt geopend - op het display verschijnt waarschuwing „door“

- in de modus „Stand-by voor bediening op afstand“:
Om de modus voort te zetten moet de deur worden gesloten en twee keer op de onderste draairegelaar worden gedrukt.
 - ▶ Op het display wordt opnieuw de countdown (30 seconden) getoond.
- tijdens lopend bedrijf of vrijgegeven uitgang voor starten op afstand (voor Münzer of deursensorsysteem):
De bevestiging gebeurt automatisch wanneer de deur gesloten is.

10.12. Ingestelde waarden wijzigen

Tijdens bedrijf kunnen de ingestelde gewenste waarden worden gewijzigd.

1. Draai de functieselector 2 op de functie die u wilt wijzigen.
2. Stel met de intensiteitsselector 3 de gewenste ingestelde waarde in.

10.13. Nadroogprogramma annuleren

Na combimodus wordt het nadroogprogramma automatisch gestart. Hierbij wordt de saunacabine bij ingeschakelde ventilator tot 80 °C opgewarmd. (standaard = 30 minuten, afhankelijk van instelling in het technicusmenu). In de intensiteitsweergave 4 wordt de tekst "dry" weergegeven en het temperatuursymbool knippert.

- Druk gedurende drie seconden (longpress) op de intensiteitsselector 3 om het nadroogprogramma te annuleren.



Om vorming van schimmel en rot te voorkomen mag het nadroogprogramma NIET worden afgebroken.

10.14. Saunabesturing uitschakelen

- Druk op de IN/UIT-schakelaar 6 om de saunabediening uit te schakelen.
 - ▶ De lichten op de functieselector 2 en de intensiteitsselector gaan uit.
 - ▶ De saunabesturing is uitgeschakeld.

11. Gebruikersprogramma's

Met de gebruikersprogramma's kunnen gewenste sauna-instellingen worden opgeslagen en weer worden opgeroepen. Er zijn 5 vooringestelde gebruikerprogramma's beschikbaar die volgens de voorstellingen van de gebruikers kunnen worden aangepast.

De instellingen van volgende functies worden in de gebruikersprogramma's opgeslagen:

- Temperatuur
- Vochtigheid (alleen PRO C3)
- Extra uitgang (intensiteits- of ruimtetemperatuurregeling)
- Licht
- Ventilator
- Looptijd

11.1. Vooringestelde gebruikersprogramma's

Volgende gebruikersprogramma's zijn al voorgedefinieerd.

<i>Gebruiker- sprog- ram- ma</i>	<i>Tempera- tuur °C</i>	<i>Vochtig- heid %</i>	<i>Extra uitgang</i>	<i>Licht %</i>	<i>Ventila- tor %</i>	<i>Looptijd Uur</i>
1	90	0	0	50	0	2
2	70	0	0	50	0	2
3	50	60	0	50	0	2
4	60	35	0	50	0	2
5	30	0	7	50	0	1

NL

Gebruikersprogramma's oproepen

1. Draai de functieselector 2 in de positie **H** (gebruikersprogramma's).
 - ▶ Het gebruikerssymbool brandt.
2. Selecteer met de intensiteitsregelaar 3 een gebruikerprogramma (1 - 5).
3. Druk op de intensiteitsselector 3.
 - ▶ Het gebruikersprogramma wordt gestart.
 - ▶ De intensiteitsselector 3 brandt.

11.2. Eigen gebruikersprogramma maken

U kunt eigen gebruikersprogramma's maken. Hierbij wordt een vooringesteld gebruikersprogramma overschreven. Voer hiervoor volgende stappen uit:

1. Start alle functies die met het gebruikersprogramma moeten worden ingeschakeld, met de gewenste intensiteit.
2. Draai de functieselector 2 in de positie **H** (gebruikersprogramma's).
 - ▶ Het gebruikerssymbool brandt.
3. Selecteer met de intensiteitsregelaar 3 onder welk nummer (1 - 5) het nieuwe gebruikersprogramma moet worden opgeslagen.
4. Druk gedurende drie seconden (longpress) op de intensiteitsselector 3.
 - ▶ De intensiteitsselector knippert.
 - ▶ De instellingen worden in het geselecteerde gebruikersprogramma opgeslagen.

Voorbeeld

<i>Gebruikersprogramma</i>	<i>Temperatuur</i> °C	<i>Vochtigheid</i> %	<i>Extra uitgang</i>	<i>Licht</i> %	<i>Ventilator</i> %	<i>Looptijd</i> Uur
2	45	55	0	50	0	3

NL

12. De Eco-functie

Met de Eco-functie kunt u in de pauzes tussen de saunagangen energie besparen. De aangesloten apparaten lopen bij geactiveerde Eco-functie met gereduceerd vermogen. U kunt een saunapauze van 20, 40, of 60 minuten selecteren.

De saunakachel resp. de verdamer wordt voor het einde van de pauze weer ingeschakeld. Aan het einde van de saunapauze zijn de gewenste temperatuur en de gewenste vochtigheid weer bereikt.

Voer de volgende stappen uit om de Eco-functie te activeren:

1. Draai de functieselector 2 in de positie **I** (Eco-functie).
 - ▶ Het Eco-symbool brandt.
2. Stel met de intensiteitsselector 3 de gewenste pauzetijd in.
 - E20 staat voor een pauze van 20 minuten.
 - E40 staat voor een pauze van 40 minuten.
 - E60 staat voor een pauze van 60 minuten.
3. Druk op de intensiteitsselector 3.
 - ▶ De intensiteitsselector 3 brandt.
 - ▶ In de aanvullende weergave 1 wordt weergegeven over hoeveel minuten de saunakachel wordt ingeschakeld om na de pauze de moet-temperatuur tijdig te bereiken.

13. Reiniging en onderhoud

13.1. Reiniging

LET OP!

Schade aan het apparaat

De saunabesturing is spatwaterdicht. Toch kan rechtstreeks contact met water het apparaat beschadigen.

- Dompel het apparaat **NOOIT** onder in water.
- Giet geen water over het apparaat.
- Reinig het apparaat niet te nat.

1. Drenk een reinigingsdoek in een zachte zeepoplossing.
2. Wring de reinigingsdoek goed uit.
3. Wis de behuizing van de saunabesturing voorzichtig schoon.

13.2. Onderhoud

De saunabesturing behoeft geen onderhoud.

14. Afvoer



- Voer het verpakkingsmateriaal af volgens de geldende afvoerrichtlijnen.
- Oude apparaten bevatten opnieuw bruikbare materialen maar ook schadelijke stoffen. Deponeer uw oude apparaat daarom in geen geval bij het gewone afval, maar voer het apparaat af volgens de plaatselijk geldende voorschriften.

15. Probleemoplossing

15.1. Foutmeldingen

De saunabesturing is uitgerust met diagnosesoftware die de systeemtoestanden controleert bij inschakeling en tijdens het bedrijf. Zodra de diagnosesoftware een fout vaststelt, schakelt de saunabesturing de saunakachel uit.

Fouten worden door een herhaaldelijke, akoestische waarschuwingstoon, en door knipperen van de functieselector 2 en van de intensiteitsselector 3 weergegeven. Bovendien wordt in de aanvullende weergave 1 de tekst "Err" weergegeven. In de intensiteitsweergave 4 wordt het foutnummer weergegeven.

Schakel de saunabesturing met de IN/UIT-schakelaar 6 uit en los de fout op voordat u de saunabesturing weer inschakelt.

De volgende tabel beschrijft de mogelijke fouten en de oorzaak ervan. Indien nodig deelt u het foutnummer mee aan uw klantenservice.

<i>Fout</i>	<i>Beschrijving</i>	<i>Oorzaak / oplossing</i>
01	Veiligheidsuitschakeling	Er ligt een voorwerp op de saunakachel. Neem dit weg voordat u de saunakachel weer gebruikt. Indien er geen veiligheidsuitschakeling is gemonteerd, zie dan punt 5.10 op pagina 21.
02	Oververhittingsbeveiliging	De maximale temperatuur van 139 °C boven de kachel is overschreden.
04F1	Kachelvoeler-fout	Defecte kachelvoeler, slecht contact of kortsluiting
05	Folievoeler-fout	Defecte folievoeler, slecht contact of kortsluiting
06F2	Bankvoeler-fout	Defecte bankvoeler, slecht contact of kortsluiting
07	Vochtigheidsvoeler-fout	Defecte vochtigheidsvoeler, slecht contact of kortsluiting
08	Te hoge temperatuur folievoeler	De maximale folietemperatuur van 100 °C is overschreden.
door	Saunadeur open	De saunabesturing is verbonden met een deursensor. Sluit de deur of controleer de aansluitingen en instellingen.

15.2. Watertekortweergave (alleen PRO C3)

De saunabesturing beschikt in de combimodus over een automatische uitschakeling bij watergebrek, voor zover uw combikachel dit ondersteunt.

Als de watertank van de verdamper leeg is, wordt dit aangegeven met een herhaaldelijke akoestische waarschuwingstoon en de tekst "FILL" in de aanvullende weergave 1. Tegelijkertijd wordt de verdamper uitgeschakeld.

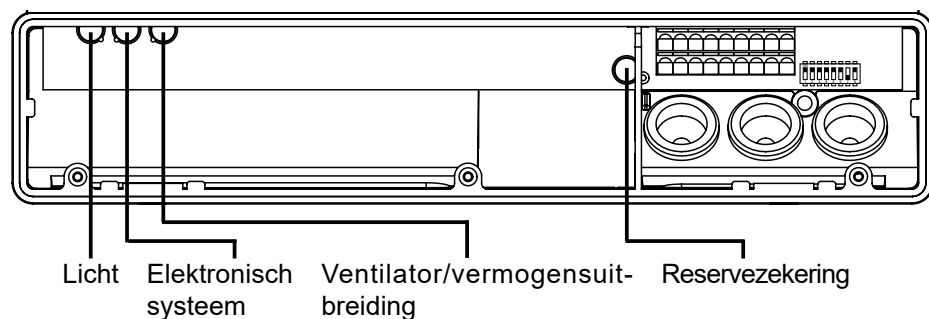
- Vul de watertank van de verdamper met water.
 - ▶ Na korte tijd verdwijnt de tekst "FILL" en wordt de verdamper weer verwarmd.

15.3. Zekeringen

In het aansluitbereik van de saunabesturing bevinden zich zekeringen voor licht, ventilator/vermogensuitbreiding en het elektronische systeem alsmede een reservezekering.

Dit zijn trage microzekeringen van 1A.

Ze kunnen worden besteld onder het artikelnummer PRO-FUSE.



Voor het vervangen van de zekering de zekeringhouder recht lostrekken en de nieuwe zekering plaatsen.

16. Technische gegevens

Omgevingsomstandigheden

Opslagtemperatuur:	-25°C tot +70°C
Omgevingstemperatuur:	-10°C tot +40°C
Luchtvochtigheid:	max. 95%

Saunabesturing

Afmetingen:	307 x 175 x 57 mm
Schakelspanning / driefasig 3N:	400 V AC
Frequentie:	50 Hz
Schakelvermogen / verwarmingsapparaat:	3 x 3,5 kW
Schakelstroom per fase / verwarmingsapparaat:	16 A
Schakelvermogen / verdamper:	3,5 kW
Schakelstroom / verdamper:	16 A
Schakelvermogen / extra uitgang (dimbaar)*	500 W
Schakelvermogen / extra uitgang (schakelbaar)*	3,5 kW
Schakelstroom / extra uitgang:	16 A
Statusuitgang:	24 V / 200 mA
Nominale spanning:	230 V
Beschermingsgraad (spatwaterdicht):	IPX4
Aansluiting op het voedingsnet als vaste bekabeling (vaste aansluiting)	

NL

Licht

Schakelvermogen:	100 W
Zekering:	1A T

Ventilator

Schakelvermogen:	100 W
Zekering:	1A T

Instelbereiken

Temperatuur:	30°C tot 110°C
Vochtigheid:	0 % tot 100 %

Daarbij is de maximaal instelbare vochtigheid afhankelijk van de saunatemperatuur. Hoe hoger de saunatemperatuur, hoe lager de maximaal instelbare vochtigheidswaarde.

* De extra uitgang heeft geen oververhittingsbeveiliging. Daarom mogen voor de extra uitgang alleen intrinsiek veilige apparaten worden gebruikt.

Thermische veiligheid

Kachelvoeler met oververhittingsbeveiliging (139°C uitschakeltemperatuur)
Automatische begrenzing van de verwarmingstijd instelbaar (6 u, 12 u, 18 u, 24 u)*

Naar keuze eenvoelermodus of tweevoelermodus

Aansluitkabels

Voedingskabel:	min. 5 x 2,5 mm ²
Kachelvoedingskabel (temperatuurbestendig tot 150°C):	min. 2,5 mm ²
Voelerskabels (temperatuurbestendig tot 150°C):	min. 0,5 mm ²
Lichtkabel:	min. 1,5 mm ²
Ventilatorokabel:	min. 1,5 mm ²

Harvia PRO C

HARVIA

Sauna & Spa

Saunaohjain

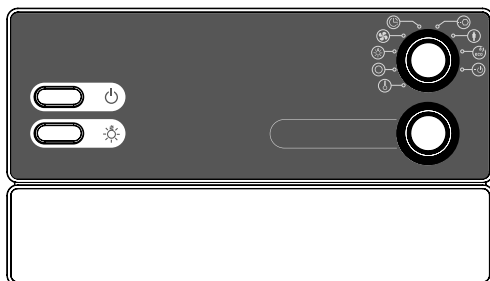
Asennus- ja käyttöohjeet

Let's sauna.

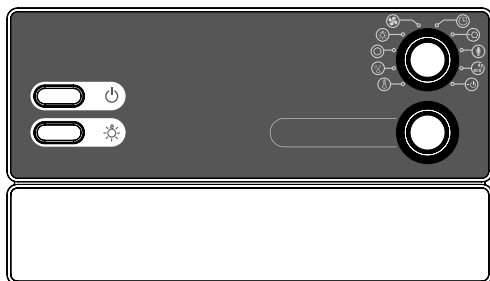
Itm.nr.

PRO-C2 1-015-448

PRO-C3 1-015-451



PRO-C2



PRO-C3



FI

Sisällysluettelo

1. Sananen näistä ohjeista	5
2. Tärkeitä ohjeita turvallisuutesi varmistamiseksi	6
2.1. Käyttötarkoitus	6
2.2. Turvaohjeita asentajalle	7
2.3. Turvaohjeita käyttäjälle	8
3. Tuotekuvaus	9
3.1. Toimituskokonaisuus	9
3.2. Valinnaiset lisätarvikkeet	9
3.3. Tuotteen toiminnot	9
3.4. Saunan käyttötavat	11
3.5. Anturikäyttötavat	11
4. Asennus	13
4.1. Saunaohjaimen asentaminen	13
4.2. Ylikuumenemissulakkeella varustetun kiuasanturin F1 asentaminen	15
4.3. Laudeanturin F2 (valinnainen) asentaminen	16
4.4. Kosteus-lämpötila-anturin FTS2 (valinnainen, vain PRO C3) asennus	16
4.5. Kalvoanturin (valinnainen) asentaminen	16
5. Sähköliitäntä	17
5.1. Syöttöjohdon, kiukaan ja höyrystimen liittäminen	18
5.2. Valon liittäminen	18
5.3. Tuulettimen (valinnainen) liittäminen	18
5.4. Lisälähdön (valinnainen) liittäminen	19
5.5. Teholaajenuksen (valinnainen) liittäminen	19
5.6. Kiuasanturin F1 liittäminen	19
5.7. Laudeanturin F2 (valinnainen) liittäminen	20
5.8. Kosteus-lämpötila-anturin FTS2 liittäminen (valinnainen, vain PRO C3)	20

5.9.	Kalvoanturin (valinnainen) liittäminen.....	20
5.10.	Turvakatkaisimen/ovianturin liittäminen.....	21
5.11.	Etäkäynnistys.....	21
5.12.	Tilalähtö.....	21
5.13.	Asennuksen viimeistely.....	21
6.	Tarkastukset.....	22
7.	Liitântäkaavio.....	23
8.	Käyttöönotto.....	24
8.1.	Toimintojen valintakytkimen asettaminen.....	24
8.2.	Asetukset teknikkovalikossa.....	26
9.	Käyttölaitteet.....	31
9.1.	Käyttölaitteiden nimitykset.....	31
9.2.	Toimintojen valitsin.....	31
9.3.	Intensiteetinvalitsin.....	32
10.	Käyttö.....	32
10.1.	Valon kytkeminen päälle.....	32
10.2.	Saunaohjaimen kytkeminen päälle.....	32
10.3.	Saunakäytön kytkeminen päälle.....	33
10.4.	Yhdistelmäkäytön kytkeminen päälle (vain PRO C3).....	33
10.5.	Lisälähdön kytkeminen päälle.....	34
10.6.	Valon kytkeminen päälle.....	36
10.7.	Tuulettimen kytkeminen päälle.....	37
10.8.	Ajastimen asettaminen.....	38
10.9.	Ajastintoiminnon keskeyttäminen.....	38
10.10.	Päälläoloajan asettaminen.....	38
10.11.	Valmiustila etäkytkennän aktivoimiseksi.....	39

10.12. Ohjearvojen muuttaminen.....	40
10.13. Jälkikuivausohjelman keskeyttäminen.....	40
10.14. Saunaohjaimen kytkeminen pois päältä.....	40

11. Käyttäjäohjelmat..... **41**

11.1. Esiasetetut käyttäjäohjelmat.....	41
11.2. Omien käyttäjäohjelmien luominen.....	41

12. Eco-toiminto..... **42**

13. Puhdistus ja huolto..... **43**

13.1. Puhdistus.....	43
13.2. Huolto.....	43

14. Hävittäminen..... **43**

15. Ongelmanratkaisu..... **44**

15.1. Virheilmoitukset.....	44
15.2. Vedenpuutteen näyttö (vain PRO C3).....	45
15.3. Sulakkeet.....	45

16. Tekniset tiedot..... **46**

1. Sananen näistä ohjeista

Lue nämä asennus- ja käyttöohjeet huolellisesti läpi ja säilytä niitä saunaohjaimen lähellä. Näin voit katsoa turvallisuuttasi sekä käyttöä koskevia tietoja milloin tahansa.



Asennus- ja käyttöohjeet saat myös Internet-sivujemme materiaalinla-
tausosiosta osoitteesta www.mediabank.harvia.com

Symbolit ja varoitukset

Näissä asennus- ja käyttöohjeissa annetaan varoitus ennen toimia, jotka muo-
dostavat vaaratekijän. Näitä varoituksia on ehdottomasti noudatettava. Näin
vältät esinevahingot ja loukkaantumiset, jotka pahimmassa tapauksessa voivat
aiheuttaa jopa kuoleman.

Varoituksissa käytetään huomiosanoja, joiden merkitys on seuraava:



VAARA!

Jos et noudata tätä varoitusta, seurauksena on kuolema tai vakava
loukkaantuminen.



VAROITUS!

Jos et noudata tätä varoitusta, seurauksena voi olla kuolema tai vakava
loukkaantuminen.



VARO!

Jos et noudata tätä varoitusta, seurauksena voi olla lievä loukkaantuminen.

HUOMIO!

Tällä huomiosanalla varoitetaan esinevahingoista.

Muut symbolit



Tällä symbolilla merkitään vinkit ja hyödylliset ohjeet.

2. Tärkeitä ohjeita turvallisuutesi varmistamiseksi

Saunaohjain PRO C2 / PRO C3 on valmistettu tunnustettujen turvateknisten säätöjen mukaisesti. Käytön yhteydessä voi silti ilmetä vaaroja. Noudata siksi seuraavia turvaohjeita ja yksittäisissä luvuissa annettuja erityisiä varoituksia. Noudata myös liitettyjen laitteiden turvaohjeita.

2.1. Käyttötarkoitus

Saunaohjain PRO C2 / PRO C3 on tarkoitettu ainoastaan toimintojen ohjaukseen ja säätelyyn teknisten tietojen mukaisesti.

Saunaohjainta PRO C2 / PRO C3 saa käyttää ainoastaan sellaisen kiukaan ohjaamiseen ja säätelyyn, joka läpäisee standardin EN 60335-2-53 kohdan 19.101 mukaisen peittämiskokeen. Jollei tämä kiuas täytä vaatimuksia, on tehtävä vastaavat turvallisuustoimenpiteet (esim. turvakatkaisin/ovenavaaja, katso **5.10** sivulla **21**).

FI

Saunaohjainta PRO C2 / PRO C3 saa käyttää vain 3 lämmityspiirin ohjaamiseen ja säätelyyn. Lämmitysteho saa olla tällöin enintään 3,5 kW lämmityspiiriä kohti. Lisälähdön maksimiteho on 3,5 kW. Höyrystimen maksimiteho (vain PRO C3) on 3,5 kW.

Muunlaisen käytön katsotaan poikkeavan tuotteen käyttötarkoituksesta. Tuotteen käyttötarkoituksesta poikkeava käyttö voi johtaa tuotteen vaurioitumiseen, vakaviin vammoihin tai kuolemaan.

2.2. Turvaohjeita asentajalle

- Vain sähköalan ammattilainen tai vastaavan pätevyyden omaava henkilö saa suorittaa asennuksen.
- Saunaohjaimeen liittyviä töitä saa tehdä vain jännitteettömässä tilassa.
- Asiakkaan on järjestettävä ylijännitekategorian III mukainen kaikkinaapainen erotuslaite, joka takaa täyden katkaisun.
- Saunaohjain on asennettava saunahuoneen ulkopuolelle n. 1,70 m korkeuteen tai saunahuoneen valmistajan suositusten mukaisesti. Ympäristölämpötilan on oltava -10 °C:n ja 40 °C:n välillä.
- Kiuasanturi tulee kiinnittää siten, että sisään virtaava ilma ei vaikuta siihen.
- Kiukaan syöttökaapelin poikkipinta-alan täytyy olla vähintään $2,5\text{ mm}^2$. Kaapelin täytyy myös kestää enimmillään 150 °C:een lämpötiloja.
- Noudata myös sijoituspaikan paikallisia määräyksiä.
- Käänny oman turvallisuutesi vuoksi toimittajasi puoleen sellaisissa ongelmissa, joita ei käsitellä asennusohjeessa kyllin tarkasti.

2.3. Turvaohjeita käyttäjälle

- Alle 8-vuotiaat lapset eivät saa käyttää saunaohjainta.
- Yli 8-vuotiaat lapset, fyysisiltä, sensorisilta tai henkisiltä kyvyiltään rajoittuneet henkilöt sekä kokemattomat ja tietämättömät henkilöt saavat käyttää saunaohjainta seuraavin ehdoin:
 - jos he ovat valvonnan alaisina
 - jos heille on näytetty turvallinen käyttö ja he ymmärtävät vaarat, joita voi syntyä.
- Lapset eivät saa leikkiä saunaohjaimella.
- Alle 14-vuotiaat lapset saavat puhdistaa saunaohjainta vain, kun he ovat valvonnan alaisina.
- Jätä saunominen terveydellisistä syistä väliin, jos olet alkoholin, lääkkeiden tai huumeiden vaikutuksen alaisena.
- Ennen kuin kytket saunaohjaimen päälle, varmista, että kiukaalla EI ole tulenarkoja esineitä.
- Ennen kuin kytket ajastintoiminnon tai etäkäynnistyksen valmiustilan päälle, varmista, että kiukaan päällä ei ole tulenarkoja esineitä.
- Ennen kuin kytket saunaohjaimen päälle, varmista, että infrapunasäteilijän päällä tai edessä ei ole tulenarkoja esineitä.
- Ennen kuin kytket ajastintoiminnon tai etäkäynnistyksen valmiustilan päälle, varmista, että infrapunasäteilijän päällä tai edessä ei ole tulenarkoja esineitä.
- Käännä oman turvallisuutesi vuoksi toimittajasi puoleen sellaisissa ongelmissa, joita ei käsitellä käyttöohjeessa kyllin tarkasti.

3. Tuotekuvaus

3.1. Toimituskokonaisuus

- Saunaohjain
- Kiuasanturi, jossa integroitu ylikuumenemissulake
- Asennusmateriaali

3.2. Valinnaiset lisätarvikkeet

- Laudeanturi (1-009-231 / O-F2)
- Kosteus-lämpötila-anturi (1-010-081 / O-FTS2)
- Kalvoanturi (1-014-445 / P-ISX-FF)
- Teholaajennus (1-008-779 / O-S2-18, 1-009-280 / O-S2-30)
- Keinukatkaisin (SFE-xxxxx)
- Ovianturi Home (1-052-723 / SAB00103)
- MySentio Wifi (1-053-313 / S-WIFI01)
- MySentio Remote (1-053-314 / S-WIFI02)

3.3. Tuotteen toiminnot

Saunaohjaimessa Pro C2 on seuraavat toiminnot:

- Lämmitysteholtaan enintään 10,5 kW:n kiukaiden säätely lämpötila-alueella 30 °C–110 °C.
- Teholaajennuksen avulla maksimikytkentäteho voidaan suurentaa 10,5 kW:sta 18 kW:iin tai 30 kW:iin.
- Valinnaisesti saunahuoneen valon himmennys tai kytkentä (100 W:iin asti)
- Valinnaisesti tuulettimen tehon säätö tai kytkentä (100 W:iin asti)
- Etäkäynnistystoiminto
- Ovivalvontalaite
- Tilalähtö
- Ajastustoiminto (24 tuntiin asti)
- Automaattinen lämmitysajan rajoitus
Saunaohjain kytkeytyy maksimilämmitysajan jälkeen turvallisuussyistä automaattisesti pois päältä. Maksimilämmitysajaksi voidaan asettaa 6 tuntia, 12 tuntia, 18 tuntia tai 24 tuntia.

- Lisälähtö

Valinnaisesti saunahuoneen lämmityksen tehonsäätö (500 W:iin asti), kytkenä (3,5 kW:iin asti) tai säätäminen lisälähdöllä.

Lisälähtöä ei ole varustettu ylikuumenemissulakkeella. Siksi lisälähtöön saa yhdistää ainoastaan itsessään vaarattomia laitteita.

- Jos lisälähtöön yhdistetään infrapunasäteilijöitä, näiden laitteiden pitää olla varustettu ylikuumenemissulakkeella. Suosittelemme seuraavien infrapunasäteilijöiden käyttämistä:
 - DIR-350-R, WIR-350-R, DIR-500-R, WIR-500-R, DIR-750-R, WIR-750-R, DIR-1300-R, WIR-1300-R
 - ECO-350-R, ECO-350-G, ECO-500-R, ECO-500-G, ECO-750-R
- Jos lisälähtöön liitetään jokin seuraavista infrapunalämpölevyistä, on käytettävä kalvoanturia P-ISX-FF, joka on otettava käyttöön teknikkovalikossa (ks. **8.2. Asetukset teknikkovalikossa** sivulla **26**):
 - IR-WP-100, IR-WP-175, IR-WP-390, IR-WP-510
 - IR-WPHL-100, IR-WPHL-175, IR-WPHL-390, IR-WPHL-510

- Käyttäjäohjelmat

Käyttäjäohjelmien ansiosta mieleiset sauna-asetukset on mahdollista tallentaa ja hakea uudelleen käyttöön. Käytettävissä on 5 esiasetettua käyttäjäohjelmaa, joita voidaan muuttaa käyttäjän haluamalla tavalla.

- Jälkikuivausohjelma

Jälkikuivausohjelma kytkeytyy automaattisesti päälle yhdistelmäkäytön jälkeen, jotta saunahuoneeseen ei pääse muodostumaan hometta eikä lahoa. Toiminto lämmittää saunahuonetta 30 minuutin ajan 80 °C:een tuulettimen käydessä.

- Ylikuumenemissulake

Ylikuumenemissulake sijaitsee kiuasanturin anturirungossa. Jos kiuas lämmittää vian takia toivelämpötilan saavuttamisen jälkeen edelleen, ylikuumenemissulake kytkee kiukaan automaattisesti pois päältä, kun n. 139 °C:een lämpötila saavutetaan.

PRO C3

Toimintokokonaisuus kuten mallissa PRO C2, kuitenkin lisäksi:

- Yhdistelmäkiukaiden säätäminen lämmitystehoon 10,5 kW ja höyrytimen tehoon 3,5 kW saakka lämpötila-alueella 30 °C ... 110 °C ja kosteusalueella 5–100 %.

- Jälkikuivausohjelma
Jälkikuivausohjelma kytkeytyy automaattisesti päälle yhdistelmäkäytön jälkeen, jotta saunahuoneeseen ei pääse muodostumaan hometta eikä lahoa. Toiminto lämmittää saunahuoneen 80 °C:seen tuulettimen käydessä.
Kesto voidaan valita väliltä OFF – 60 minuuttia.

3.4. Saunan käyttötavat

Saunaohjain PRO B2 mahdollistaa saunakäytön. Saunaohjain Pro C3 mahdollistaa kaksi käyttötapaa: sauna- ja yhdistelmäkäytön.

Saunakäyttö

Saunakäytössä lämpö on kuivaa. Saunahuoneen lämpötila on korkea (80...100 °C). Kosteusarvot ovat vähäiset, enintään 10 %.

Yhdistelmäkäyttö

Yhdistelmäkäytössä on kiukaan lisäksi käytössä myös höyrystin. Saunahuoneen lämpötila on alhaisempi (n. 40...65 °C) kuin saunakäytössä, kun taas suhteellinen ilmankosteus on huomattavasti suurempi, 35 %...noin 70 %. Suurin asetettava ohjekosteus riippuu saunan lämpötilasta. Mitä korkeampi lämpötila, sitä vähäisempi on suurin asetettava kosteusarvo (katso **käyrä sivulla 12**).

3.5. Anturikäyttötavat

Saunaohjainta voidaan käyttää yhden tai kahden anturin avulla. Toisena anturina voidaan käyttää lämpötila-anturia (laudeanturi, F2) tai kosteus-lämpötila-anturia (F2S2).

Yksianturikäyttö (F1)

Yksianturikäyttö täytyy aktivoida teknikkovalikosta (ks. **8.2. Asetukset teknikkovalikossa** sivulla **26**).

Yksianturikäytössä saunaohjain toimii vain ylikuumenemissulakkeella varustetun kiuasanturin (F1) avulla. Se sisältyy toimituskokonaisuuteen.

Yksianturikäytössä saunaohjaimen vakioasetuksena on vain ohjelämpötilan näyttäminen. Tosilämpötilaa ei näytetä. Jos saunaohjaimen halutaan näyttävän yksianturikäytössä kiukaan yläpuolisen lämpötilan (F1-anturi) tosilämpötilana, tämä täytyy aktivoida käyttöäntönon yhteydessä (ks. **8.2. Asetukset teknikkovalikossa** sivulla **26**).

Suurin asetettava kosteusarvo riippuu yksianturikäytössä kiukaan yläpuolella vallitsevasta lämpötilasta, ja kosteus tahdistetaan. Saunaohjaimen näytössä näkyy ainoastaan kosteuden ohjearvo (suhteellinen ilmankosteus-%). Kun kosteus tahdistetaan, saunahuoneen todellinen kosteus riippuu saunahuoneen koosta ja höyrystimen tehosta, ja se voi poiketa asetetusta ohjearvosta.

Kaksianturikäyttö laudeanturilla (F2)

Kaksianturikäyttö on aktivoitu tehtaalla.

Laudeanturin avulla tapahtuvaa kaksianturikäyttöä varten asennetaan toinen lämpötila-anturi (laudeanturi) taaemman lauteen yläpuolelle. Saunaohjain näyttää tosi-lämpötilana laudeanturin mittaaman lämpötilan.

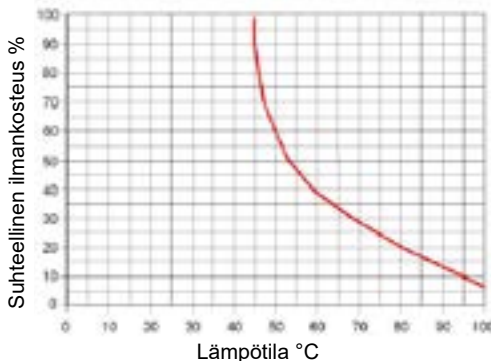
Kun kaksianturikäytössä käytetään laudeanturia, kosteus tahdistetaan. Saunaohjaimen näytössä näkyy ainoastaan kosteuden ohjearvo (suhteellinen ilmankosteus-%). Kun kosteus tahdistetaan, saunahuoneen todellinen kosteus riippuu saunahuoneen koosta ja höyrystimen tehosta, ja se voi poiketa asetetusta ohjearvosta.

Kaksianturikäyttö kosteus-lämpötila-anturilla (FTS2)

Kaksianturikäyttö on aktivoitu tehtaalla.

Kun kaksianturikäytössä käytetään kosteus-lämpötila-anturia, saunaohjain näyttää tosilämpötilana sen lämpötilan, jonka kosteus-lämpötila-anturi mittaa.

Kun kaksianturikäytössä käytetään kosteus-lämpötila-anturia, höyrystintä säädetään saunahuoneesta mitatun kosteuden mukaisesti. Saunaohjaimen näytössä näkyy saunahuoneen todellinen kosteus (suhteellinen ilmankosteus-%).



EN 60335-2-53:2011; Lämpötila / suhteellinen ilmankosteus -käyrä asianmukaista käyttöä varten.

4. Asennus

4.1. Saunaohjaimen asentaminen

HUOMIO!**Laitteen vauriot**

Saunaohjain on roiskevesisuojuattu, mutta laite voi kuitenkin vaurioitua joutues-
saan suoraan kosketukseen veden kanssa.

- Asenna saunaohjain kuivaan paikkaan, jossa ilmankosteus ei ylitä maksi-
miarvoa 95 %.

HUOMIO!**Häiriölähteet häiritsevät signaalinvälitystä**

- Vedä kaikki anturijohdot erillään muista verkkojohdoista ja ohjainjohdoista.
- Suojaa yksinkertaisesti eristetyt johdot putkella (kaksoiseristys).

Noudata saunaohjaimen asennuksessa seuraavia kohtia:

- Saunaohjain on asennettava saunahuoneen ulkopuolelle tai saunahuoneen
valmistajan suositusten mukaisesti.
- Ympäristölämpötilan on oltava -10 °C:n ja +40 °C:n välillä.
- Anturit saa liittää vain oheisilla anturijohdoilla, jotka kestävät lämpöä
150 °C:een asti.

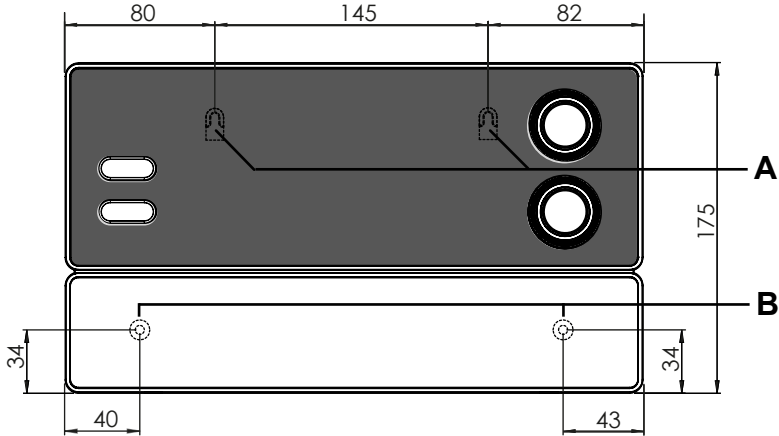


Anturijohtoja saa jatkaa ainoastaan seuraavin ehdoin:

- Käytetään silikonijohtoa, joka kestää 150 °C:n lämpötilaa.
 - Johdon vähimmäispoikkipinta-ala on 0,5 mm².
 - Kiuasanturijohdojen pituus EI saa olla yli 10 m.
-

Asenna saunaohjain tekemällä seuraavat työvaiheet:

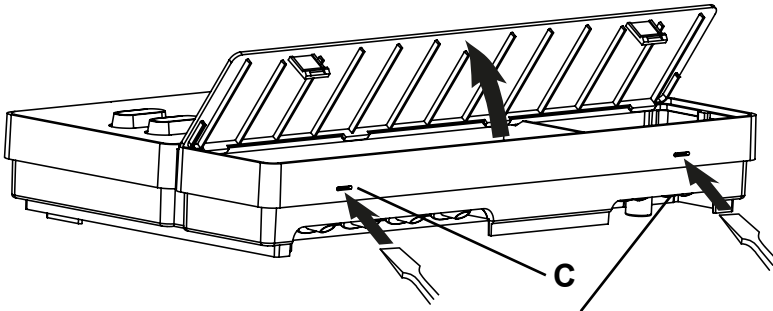
1. Ruuvaa kaksi ristipääruuvia (16 mm) saunan seinään n. 1,70 m:n korkeudelle siten, että niiden kannat jäävät 7 mm:n etäisyydelle seinäpinnasta. Ruuvien pitää olla 145 mm:n etäisyydellä toisistaan (ks. **Kuva1**).



Kuva1 Ripustimen paikka ja asennusreiät (mittayksikkö: mm)

FI

2. Paina sulkusalpoja **C** ruuvitaltalla hieman sisään ja ota kotelon kansi pois (ks. **Kuva2**).
3. Ripusta saunaohjain ripustinten **A** avulla ristipääruuveihin, jotka äsken asensit (ks. **Kuva1**).
4. Ruuvaa kaksi ristipääruuvia (16 mm) alakiinnitysreikiin **B** (ks. **Kuva1**).



Kuva2 Kotelon kannen irrotus

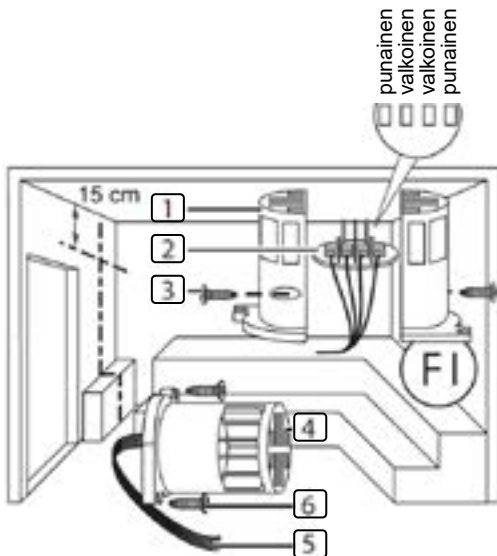
4.2. Ylikuumenemissulakkeella varustetun kiuasanturin F1 asentaminen

Noudata kiuasanturin asennuksessa seuraavia kohtia:

- Kiuasanturi on asennettava kiukaan takaseinämään keskikohdan yläpuolelle. Etäisyyttä saunahuoneen kattoon on oltava noin 15 cm.
- Kiuasanturi tulee kiinnittää siten, että sisään virtaava ilma ei vaikuta siihen.

Asenna kiuasanturi tekemällä seuraavat työvaiheet (katso **Kuva3**):

1. Vedä molemmat 2-napaiset kiuasanturijohdot saunahuoneen seinään kiuasanturin asennuspaikkaan ja kiinnitä kiuasanturijohdot johdonkiristimillä.
2. Vedä kiuasanturin kotelon puolikkaat 1 irti toisistaan.
3. Liitä kiuasanturijohdon 5 neljä liitintä kiuasanturiin kuvan **Kuva3** mukaisesti.
4. Aseta liitintälevy 2 poikittain (kuten kuvassa **Kuva3**) kiuasanturin kotelon puolikkaisiin.
5. Sulje kotelon puolikkaat, ruuvaa ne yhteen ne kahdella ristipääruuvilla 3 (9 mm) ja tarkista, onko kiuasanturi tiukasti kiinni.
6. Asenna kiuasanturi kiukaan takaseinään kahdella oheisella puuruuvilla 6 (16 mm).



- 1 kiuasanturin kotelon puolikkaat
- 2 liitintälevy
- 3 ristipääruuvit (9 mm)
- 4 kiuasanturi
- 5 kiuasanturin johdot
- 6 puuruuvit (16 mm)

Kuva3 Kiuasanturin asentaminen

4.3. Laudeanturin F2 (valinnainen) asentaminen

Laudeanturi asennetaan saunahuoneen seinään takalauteen yläpuolelle. Etäisyyttä saunahuoneen kattoon on oltava noin 15 cm.

Asenna laudeanturi tekemällä seuraavat työvaiheet:

1. Vedä 2-napainen laudeanturijohto saunahuoneen seinään laudeanturin asennuspaikkaan ja kiinnitä laudeanturijohto johdonkiristimillä.
2. Vedä laudeanturin kotelon puolikkaat irti toisistaan.
3. Liitä laudeanturin kaksi liitintä liitäntälevyn kahteen keskimmaiseen liittimeen.
4. Aseta liitäntälevy poikittain laudeanturin kotelon puolikkaisiin.
5. Sulje kotelon puolikkaat ja ruuvaa ne yhteen ne kahdella ristipääruuvilla (9 mm).
6. Tarkista, onko laudeanturi tiukasti kiinni.
7. Asenna laudeanturi saunahuoneen seinään kahdella oheisella puuruuvilla (16 mm). Etäisyyttä saunahuoneen kattoon on oltava 15 cm.

4.4. Kosteus-lämpötila-anturin FTS2 (valinnainen, vain PRO C3) asennus

Kosteus-lämpötila-anturi asennetaan saunahuoneen seinään takalauteen yläpuolelle. Etäisyyttä saunahuoneen kattoon on oltava noin 15 cm.

Asenna kosteus-lämpötila-anturi tekemällä seuraavat työvaiheet:

1. Vedä 5-napainen anturijohto saunahuoneen seinään kosteus-lämpötila-anturin asennuspaikkaan ja kiinnitä anturijohdot johdonkiristimillä.
2. Asenna kosteus-lämpötila-anturi saunahuoneen seinään kahdella oheisella puuruuvilla (16 mm). Etäisyyden saunahuoneen kattoon on oltava 15 cm.

4.5. Kalvoanturin (valinnainen) asentaminen

Jos lisälähtöön liitetään infrapunalämpölevy, on käytettävä kalvoanturia P-ISX-FF.

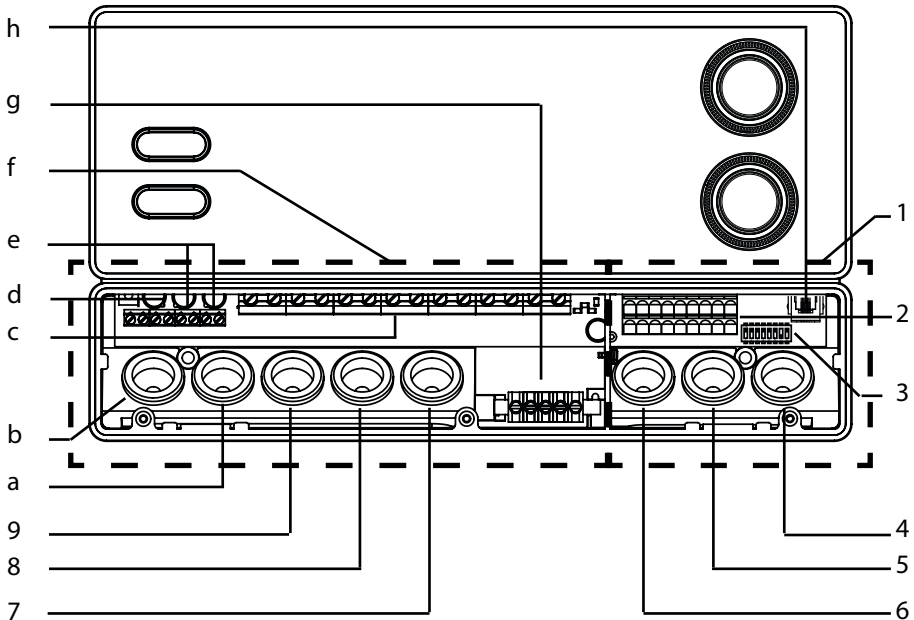
- Asentaessasi kalvoanturia noudata infrapunalämpölevyjen käyttöohjetta.
- Kalvoanturin käyttö täytyy aktivoida teknikkovalikosta (ks. **8.2. Asetukset teknikkovalikossa** sivulla 26).

5. Sähköliitäntä

HUOMIO!

Laitteen vauriot

- Saunaohjainta saa käyttää vain 3 lämmityspiirin ohjaamiseen ja säätelyyn; kunkin lämmityspiirin lämmitysteho saa olla enintään 3,5 kW. Höyrystimen maksimiteho (vain PRO C3) on 3,5 kW. Lisälähdön maksimiteho on 3,5 kW.



- | | |
|--|---|
| 1 pienjännitteen liitäntäalue | 8 kiukaan johdon johtoläpivienni |
| 2 turvakatkaisimen, etäkäynnistyksen, tilälähdön ja anturinjohtojen riviliitin | 9 Syöttöjohdon johtoläpivienni |
| 3 toimintojen valintakytkin | a teholaajennuksen johtoläpivienni |
| 4 F2-, FTS2- ja kalvoanturin johtoläpivienni | b valon ja tuulettimen johtoläpivienni |
| 5 F1-anturin ja tilälähdön johtoläpivienni | c kiukaan, höyrystimen, syöttöjohdon ja lisälaitteen riviliitin |
| 6 turvakatkaisimen ja etäkäynnistyksen johtoläpivienni | d valon ja tuulettimen riviliitin |
| 7 höyrystimen johdon ja lisälähdön johtoläpivienni | e teholaajennuksen riviliitin |
| | f 230 V / 400 V -liitäntäalue |
| | g maadoituskisko |
| | h RS-485:n ja MySentio Wifin RJ45-naarasliitin |

Noudata saunaohjaimen sähköliitännöjen osalta seuraavia kohtia:

- Vain sähköalan ammattilainen tai vastaavan pätevyyden omaava henkilö saa suorittaa asennuksen.



Huomaa, että takuuvaatimusten esittämiseksi tarvitaan kopio liitännän tehneen sähköliikkeen laskusta.

- Saunaohjaimen liittyviä töitä saa tehdä vain jännitteettömässä tilassa.
- Sähkönsyöttö on toteutettava kiinteällä liitännällä.
- Asiakkaan on järjestettävä ylijännitekategorian III mukainen kaikinapainen erotuslaite, joka takaa täyden katkaisun.
- Noudata kytkentäkaaviota (**Kuva4**) sivulla **23**.

5.1. Syöttöjohdon, kiukaan ja höyrystimen liittäminen

1. Vedä syöttöjohto sekä kiukaan ja höyrystimen johto (vain PPRO C3) johtoläpiviennin 9, 8 ja 7 kautta 230 V / 400 V -liitännäalueelle f.
2. Liitä liitäntäjohdot kytkentäkaavion mukaisesti riviliittimeen c. Noudata tällöin kunkin laitteen käyttöohjeita.
3. Jos höyrystimessä ei ole automaattista vedenpuutenäyttöä, tee lisäksi seuraavat toimet:
 - Liitä oheisella metallilankasilloituksella liitin "**V1**" liittimeen "**Wm**".

FI

5.2. Valon liittäminen

1. Vedä valojohto johtoläpiviennin b kautta 230 V / 400 V -liitännäalueelle f.
2. Liitä valojohto kytkentäkaavion mukaisesti riviliittimeen d . Noudata tällöin kulloisenkin laitteen käyttöohjeita.

5.3. Tuulettimen (valinnainen) liittäminen

1. Vedä tuuletinjohto johtoläpiviennin b kautta 230 V / 400 V -liitännäalueelle f.
2. Liitä tuuletinjohto kytkentäkaavion mukaisesti riviliittimeen d . Noudata tällöin kulloisenkin laitteen käyttöohjeita.

5.4. Lisälähdön (valinnainen) liittäminen

Lisälähtöä voidaan käyttää esimerkiksi infrapunasäteilijöitä tai infrapunalämpölevyjä varten.

1. Vedä lisälaitteen liitäntäjohto johtoläpivientien 7 kautta 230 V / 400 V -liitäntäalueelle f.
2. Liitä liitäntäjohdot kytkentäkaavion mukaisesti riviliittimeen c. Noudata tällöin kulloisenkin laitteen käyttö- ja turvaohjeita.



VAROITUS!

Palovaara

Lisälähtöä ei ole varustettu ylikuumenemissulakkeella. Siksi lisälähtöön saa yhdistää ainoastaan itsessään vaarattomia laitteita.

- Jos lisälähtöön yhdistetään infrapunasäteilijöitä, näiden laitteiden pitää olla varustettu ylikuumenemissulakkeella.
- Jos lisälähtöön liitetään infrapunalämpölevyjä, on käytettävä kalvoanturia P-ISX-FF, joka on aktivoitava teknikkovalikosta (ks. **8.2.**

Asetukset teknikkovalikossa sivulla 26).

5.5. Teholaajennuksen (valinnainen) liittäminen

1. Vedä teholaaennuksen johto johtoläpiviennin a kautta 230 V / 400 V -liitäntäalueelle f.
2. Liitä teholaaennuksen johto kytkentäkaavion mukaisesti riviliittimeen e. Liitin "ST1" on turvapiiriä varten ja liitin "ST2" ohjauspiiriä varten. Noudata kulloisenkin laitteen käyttöohjeita.

FI

5.6. Kiuasanturin F1 liittäminen

1. Vedä kiuasanturijohdot johtoläpiviennin 5 kautta pienjännitteen liitäntäalueelle 1.
2. Liitä kiuasanturin punaiset johdot riviliittimen 2 liittimiin, joissa on merkintä "STB".
3. Liitä kiuasanturin valkoiset johdot riviliittimen 2 liittimiin, joissa on merkintä "F1".

5.7. Laudeanturin F2 (valinnainen) liittäminen

1. Vedä laudeanturin johdot johtoläpiviennin 4 kautta pienjännitteen liitäntäalueelle 1.
2. Liitä laudeanturin johdot riviliittimen 2 liittimiin, joissa on merkintä "F2".

5.8. Kosteus-lämpötila-anturin FTS2 liittäminen (valinnainen, vain PRO C3)

1. Vedä anturijohdot johtoläpiviennin 4 kautta pienjännitteen liitäntäalueelle 1.
2. Liitä lämpötila-anturin johdot riviliittimen 2 liittimiin, joissa on merkintä "F2".
 - a. musta johto oikeanpuoleiseen liittimeen.
 - b. ruskea johto vasemmanpuoleiseen liittimeen.
3. Liitä kosteusanturin johdot riviliittimen 2 liittimiin, joissa on merkintä "+ S -".
 - c. vihreä johto liittimeen "+".
 - d. oranssi johto liittimeen "S".
 - e. punainen johto liittimeen "-".

5.9. Kalvoanturin (valinnainen) liittäminen

1. Vedä anturijohdot johtoläpiviennin 4 kautta pienjännitteen liitäntäalueelle 1.
2. Liitä anturijohdot riviliittimen 2 liittimiin, joissa on merkintä "FF" .

5.10. Turvakatkaisimen/ovianturin liittäminen

Standardin EN 60335-2-53 mukaan etäohjauksella varustettuja saunaohjaimia saa käyttää ainoastaan sellaisen kiukaan ohjaamiseen ja säätelyyn, joka läpäisee kohdan 19.101 mukaisen peittämiskokeen. Vaihtoehtoisesti voidaan asentaa vastaava turvakatkaisin/ovenavaaja. Se kytkee kiukaan pois päältä, jos kiukaan päälle lasketaan esineitä (kuten pyyhe) tai jos saunan ovi avataan.

Asenna turvakatkaisin tekemällä seuraavat työvaiheet:

1. Asenna turvakatkaisin laitteen käyttöohjeessa kuvatulla tavalla.
2. Vedä turvakatkaisimen johdot johtoläpiviennin 6 kautta pienjännitteen liitäntäalueelle 1.
3. Liitä johdot liittimiin, joissa on merkintä ”**OSG**”, riviliittimeen 2.



Jos turvakatkaisinta ei asenneta, tekstillä ”**OSG**” merkittyihin liittimiin täytyy muodostaa metallilankasilloitus.

5.11. Etäkäynnistys

Liitäntä tehdään käyttäen liittimiä ”**S**”, ”**B**” ja ”**C**”. ”**S**” merkitsee saunakäyttöä ja ”**C**” höyrystinkäyttöä. ”**B**” on +24 V DC -lähtö. Jälkimmäinen täytyy kytkeä kytkimen tai toimilaitteen avulla halutun käyttötavan liittimeen.

FI

5.12. Tilalähtö

Tilalähdön liittimeen voidaan liittää mikä tahansa sähkölaite, joka soveltuu 24 V DC -jännitteelle ja joka ei kuluta enempää kuin 200 mA sähköä. Tehdesäsi sähköliitäntää varmista, että napaisuus on oikein. LEDejä käytettäessä on käytettävä tarkoitukseen soveltuvaa esivastusta.

5.13. Asennuksen viimeistely

1. Liitä syöttöjohdon ja kaikkien laitteiden maadoitusjohtimet maadoituskiskoon g.
2. Aseta kotelon kansi liitäntärasian yläreunalle.
3. Paina sulkusalpoja hieman sisään ja käännä kotelon kantta alaspäin kunnes kuulet sen loksahdavan kiinni.

6. Tarkastukset



VAROITUS!

Seuraavat tarkastukset suoritetaan, kun virransyöttö on päällä. Sähköiskuvaara.

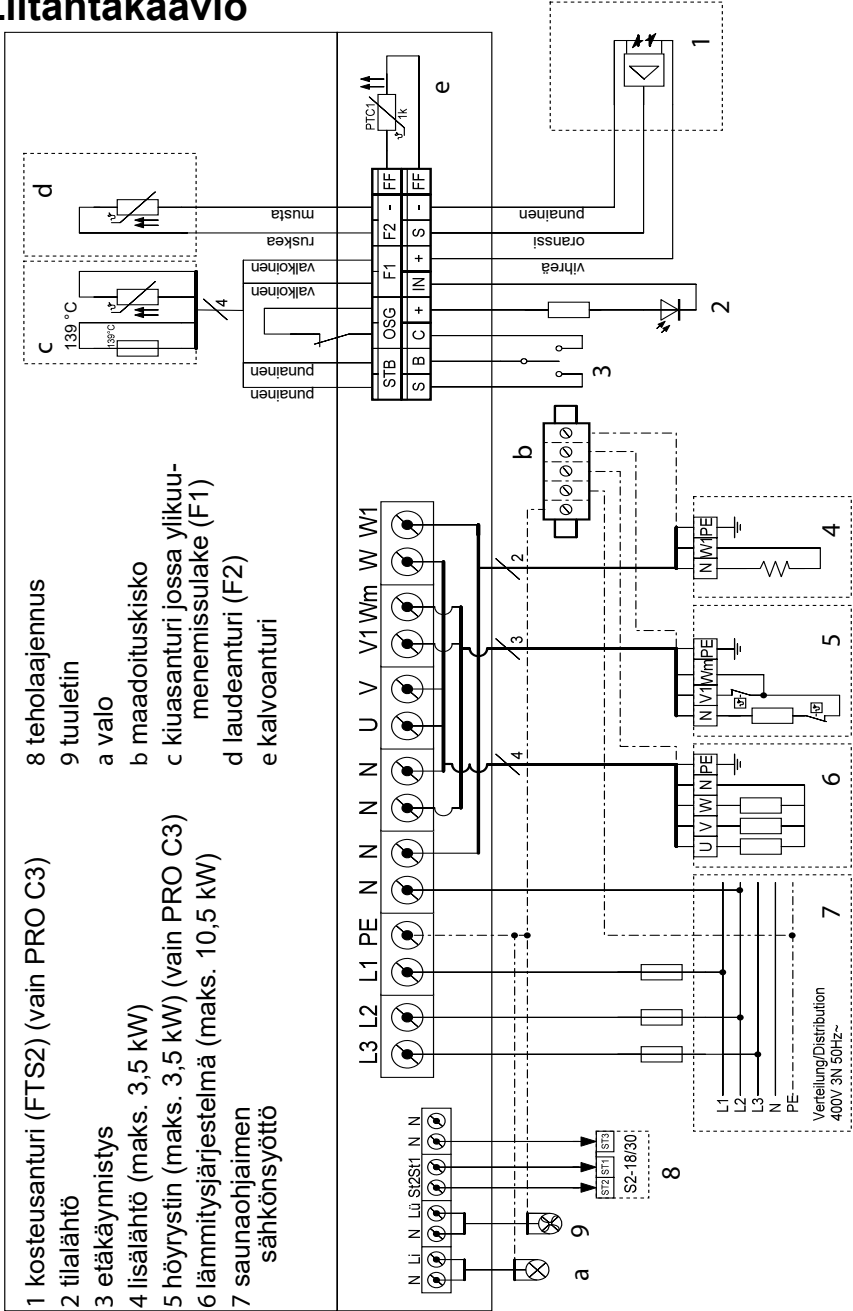
- ÄLÄ KOSKAAN kosketa sähköä johtavia osia.

Seuraavat tarkastukset täytyy teettää hyväksytyllä sähköasentajalla.

1. Tarkasta maadoitusjohtojen kosketus maadoitusjohdinliittimeen.
2. Tarkasta kiuasanturin F1 ylikuumenemissulake.
 - a. Kytke saunaohjain päälle.
 - b. Avaa kiuasohjain ja irrota toinen punaisista kiuasanturin johdoista.
 - ▶ Kuuluu toistuva varoitusääni, ylänäytössä näkyy "Err" ja alanäytössä "02".
 - ▶ Ohjain kytkee kiukaan pois päältä.
 - c. Kytke saunaohjain pois päältä.
 - d. Liitä punainen kiuasanturin johto takaisin paikalleen.
 - e. Irrota nyt toinen valkoisista kiuasanturin johdoista.
 - f. Kytke saunaohjain päälle.
 - ▶ Kuuluu toistuva varoitusääni, ylänäytössä näkyy "Err" ja alanäytössä "04F1".
 - ▶ Ohjain kytkee kiukaan pois päältä.
 - g. Kytke saunaohjain pois päältä.
 - h. Liitä valkoinen kiuasanturin johto takaisin paikalleen.
3. Tarkasta vaihekytkentä saunakäyttöön L1, L2, L3 – U, V, W.
4. PRO C3: Tarkasta vaihekytkentä höyrystinkäyttöön L1, L2, L3 – U, V1, W.
5. Tarkasta vaihekytkentä L3:sta W1:een, kun aktivoit lisälähtöön liitetyn laitteen.
6. Tarkasta saunaohjaimen suurin sallittu lämmitysteho 3,5 kW per vaihe.
7. Jos käytössä on valinnainen teholaajennus
 - a. Tarkasta ohjaimen johdot ST1, ST2 ja ST3.
 - b. Tarkasta teholaajennuksen S2-18 suurin sallittu lämmitysteho 3 kW per vaihe.
 - c. Tarkasta teholaajennuksen S2-30 suurin sallittu lämmitysteho 7 kW per vaihe.

7. Liitäntäkaavio

Kuva4 Liitäntäkaavio

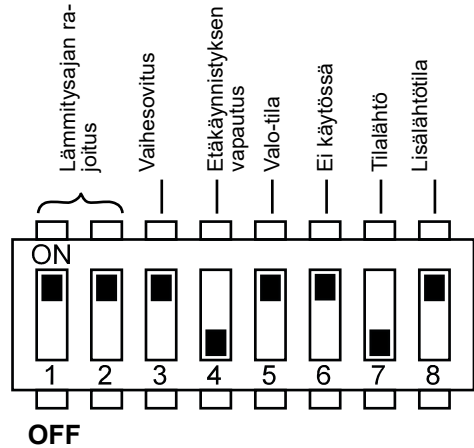


8. Käyttöönotto

8.1. Toimintojen valintakytkimen asettaminen

Pienjännitteen liitännäalueen toimintojen valintakytkimellä voidaan aktivoida erilaisia tuotetoimintoja. Oikealla olevassa kuvassa näkyy toimintojen valintakytkimen vakioasetus.

Huomaa, että muutosten tekemisen jälkeen ohjain täytyy kytkeä pois päältä 10 sekunnin ajaksi, jotta asetukset tallentuvat.



Kuva5 Toimintojen valintakytkin – vakioasetus

FI

Lämmitysajan rajoituksen asettaminen

Maksimilämmitysajan vakioasetus on 6 tuntia. Saunaohjain kytkeytyy maksimilämmitysajan jälkeen turvallisuussyistä automaattisesti pois päältä.

Pienjännitteen liitännäalueen toimintojen valintakytkimellä maksimilämmitysajaksi voidaan asettaa 12 tuntia, 18 tuntia tai 24 tuntia. Tähän tarvittavat toimintojen valintakytkimen asennot on merkitty oikealla olevaan taulukkoon.

Toimintojen valintakytkin	1	2
6 h	ON	ON
12 h	OFF	ON
18 h	ON	OFF
24 h	OFF	OFF



Standardin EN 60335-2-53 mukaan yksityissaunojen lämmitysajan saa rajoittaa enintään 6 tuntiin. Hotelleissa, kerrostaloissa ja vastaavissa paikoissa lämmitysajan saa rajoittaa enintään 12 tuntiin. Lämmitysajan rajoitusta saa laajentaa 18 tuntiin tai 24 tuntiin vain julkisissa saunoissa.

Vaihesovituksen aktivointi/deaktivointi

Vaihesovitus aktivoidaan ja deaktivoidaan toimintojen valintakytkimellä **3**.

- Toimintojen valintakytkimen **3** vakioasetuksena on ON-asento. Näin ollen vaihesovitus on aktivoituna.
- Jos haluat deaktivoida vaihesovituksen, aseta toimintojen valintakytkin **3** OFF-asentoon.

Etäkäynnistyksen vapautus

Etäkäynnistyslähdön toimintatapa voidaan valita toimintojen valintakytkimellä **4** (huomioi EN60335-2-53).

- Toimintojen valintakytkimen **4** vakioasetuksena on OFF-asento. Etäkäynnistys aktivoidaan toiminnolla ”Valmiustila etäohjaukseen”.
- Jos haluat vapauttaa etäkäynnistyslähdön eril. laitteille (kuten esim. kolikko-ohjain, etäkäynnistysjärjestelmä, ovivalvontalaite), siirrä toimintojen valintakytkin **4** ON-asentoon.

Valon käyttötavan asettaminen

Saunahuoneen valo voidaan valinnan mukaan himmentää tai kytkeä. Säättötoiminto aktivoidaan ja deaktivoidaan toimintojen valintakytkimellä **5**.

- Toimintojen valintakytkimen **5** vakioasetuksena on ON-asento. Näin ollen säättötoiminto on aktivoituna.
 - ▶ Muuttaaksesi himmennyskäyrää noudata kohtaa ”**Valon himmennyskäyrän muuttaminen**” **sivulla 29**.
- Jos haluat deaktivoida saunahuoneen valon himmennystoiminnon, aseta toimintojen valintakytkin **5** OFF-asentoon.

Tilalähtö

Toimintojen valitsimella **7** voidaan määrittää, onko tilalähtö aktivoituna saunakäytön vai jälkikuivausohjelman aikana. Jos valitaan aktivointi jälkikuivausohjelman ajaksi, höyrystin voidaan tyhjentää automaattisesti, kun kiukaana on automaattisella uudelleentäytöllä varustettu yhdistelmäkiuas.

- Toimintojen valintakytkimen **7** vakioasetuksena on OFF-asento. Näin ollen tilalähtö on aktivoituna saunakäytön aikana.
- Jos haluat aktivoida tilalähdön jälkikuivausohjelman ajaksi, aseta toimintojen valintakytkin **7** ON-asentoon.

Lisälähdön käyttötavan asettaminen

Lisälähtö on valinnan mukaan säädettävissä tai kytkettävissä. Säättötoiminto aktivoidaan ja deaktivoidaan toimintojen valintakytkimellä **8**.

- Toimintojen valintakytkimen **8** vakioasetuksena on ON-asento. Näin ollen säättötoiminto on aktivoituna.
- Jos haluat deaktivoida lisälähdön säättötoiminnon, aseta toimintojen valintakytkin **8** OFF-asentoon.

8.2. Asetukset tekniikkovalikossa

Tekniikkovalikon hakeminen näyttöön

Tekniikkovalikossa voidaan tehdä lisää asetuksia. Päästäksesi tekniikkovalikkoon toimi seuraavasti:

1. Kytke saunaohjain pois päältä.
2. Paina saman aikaisesti alemmaa kiertopainiketta ja PÄÄLLE/POIS-kytkintä.
 - ▶ Ylänäyttöön ilmestyy hetkeksi "SEtt".
 - ▶ Molemmat kiertopainikkeet vilkkuvat.



Asetukset tallennetaan heti, kun lopetat tekniikkovalikon (ks. **Tekniikkovalikon lopettaminen sivulla 30**).

FI

Yksianturikäytön aktivointi

Yksianturikäytössä saunaohjain toimii vain ylikuumenemissulakkeella varustetun kiuasanturin (F1-anturi) avulla. Vakioasetuksena on aktivoituna kaksianturikäyttö. Jos haluat aktivoida yksianturikäytön, tee seuraavat vaiheet:

1. Hae tekniikkovalikko näkyviin (ks. **26**).
2. Kierrä ylempi kiertopainike lämpötilasymbolin kohdalle (asento **A** – ks. kohta **9.2** sivulla **31**).
 - ▶ Lämpötilasymboli vilkkuu.
 - ▶ Ylänäyttöön ilmestyy "SEnB".
 - ▶ Alanäyttöön ilmestyy "On".
("On" merkitsee, että kaksianturikäyttö on aktivoitu.)
3. Kierrä alemmaa kiertopainiketta vasemmalle.
 - ▶ Alanäyttöön ilmestyy "OFF".
 - ▶ Yksianturikäyttö on aktivoitu.

Kiukaan lämpötilan näyttäminen yksianturikäytössä

Yksianturikäytössä saunaohjaimen vakioasetuksena on vain ohjelämpötilan näyttäminen. Tosilämpötilaa ei näytetä. Jos saunaohjaimen halutaan näyttävän yksianturikäytössä kiukaan yläpuolisen lämpötilan (F1-anturi) tosilämpötilana, tämä täytyy aktivoida teknikkovalikosta.

1. Hae teknikkovalikko näkyviin (katso sivu **26**)
2. Aktivoi yksianturikäyttö (ks. sivu **26**).
 - ▶ Ylänäytössä lukee "SEnB".
 - ▶ Alanäytössä lukee "OFF".
3. Paina alemmaa kiertopainiketta.
 - ▶ Ylänäyttöön ilmestyy "dISP".
 - ▶ Alanäyttöön ilmestyy "SEt" (yksianturikäytössä näytetään vain ohjelämpötila.)
4. Kierrä alemmaa kiertopainiketta vasemmalle.
 - ▶ Alanäyttöön ilmestyy "SEnS" (kiuaslämpötila (F1-anturi) näytetään tosilämpötilana yksianturikäytössä)

Maksimilämpötilan laskeminen 105 °C:een

Vakioasetuksen mukaan ohjelämpötilaksi voi asettaa 30 °C ... 110 °C. Jos haluat laskea maksimilämpötilan 110 °C:sta 105 °C:een, tee seuraavat vaiheet:

1. Hae teknikkovalikko näkyviin (ks. **26**).
2. Kierrä ylempi kiertopainike lämpötilasymbolin kohdalle (asento **A** – ks. kohta **9.2** sivulla).
 - ▶ Lämpötilasymboli vilkkuu.
 - ▶ Ylänäyttöön ilmestyy "SEnB".
3. Paina alemmaa kiertopainiketta, kunnes ylänäyttöön ilmestyy "tHI".
 - ▶ Alanäyttöön ilmestyy "110".
4. Kierrä alemmaa kiertopainiketta vasemmalle.
 - ▶ Alanäyttöön ilmestyy "105" (maksimilämpötilaksi asetettu 105 °C)

Lämpötilan ja kosteusarvon samanaikaisen näyttämisen aktivointi

Kun haluat aktivoida lämpötilan ja kosteusarvon samanaikaisen näyttämisen, tee seuraavat vaiheet:

1. Hae teknikkovalikko näkyviin (ks. **26**).

2. Kierrä ylempi kiertopainike lämpötilasymbolin kohdalle (asento **A** – ks. kohta **9.2** sivulla **31**).
 - ▶ Lämpötilasymboli vilkkuu.
 - ▶ Ylänäyttöön ilmestyy "SEnB".
3. Paina alemmaa kiertopainiketta niin monta kertaa, että ylänäyttöön ilmestyy "lSt2".
4. Aktivoi tai deaktivoi toiminto kiertämällä alemmaa kiertopainiketta vasemmalle tai oikealle.

Pelkän höyrystimen käytön aktivointi (vain PRO C3)

Tehdasasetuksena on, että höyrystimen voi ottaa käyttöön vain yhdessä lämmitysjärjestelmän kanssa. Jos halutaan käyttää pelkkää höyrystintä ilman lämmitysjärjestelmää, tämä toiminto täytyy aktivoida. Tee sitä varten seuraavat vaiheet:

1. Hae teknikkovalikko näkyviin (ks. **26**).
2. Kierrä ylempi kiertopainike kosteussymbolin kohdalle (asento **B** – ks. kohta **9.2** sivulla **31**).
 - ▶ Kosteussymboli vilkkuu.
 - ▶ Ylänäyttöön ilmestyy "SlN".
 - ▶ Alanäyttöön ilmestyy "OFF" (pelkän höyrystimen käyttö deaktivoitu)
3. Kierrä alemmaa kiertopainiketta oikealle.
 - ▶ Alanäyttöön ilmestyy "On" (pelkän höyrystimen käyttö aktivoitu)

FI

Jälkikuivausohjelman toiminta-ajan asettaminen (vain PRO C3)

Jälkikuivausohjelman enimmäistoiminta-ajan vakioasetus on 30 minuuttia. Jos haluat muuttaa tätä asetusta, tee seuraavat vaiheet:

1. Hae teknikkovalikko näkyviin (ks. **26**).
2. Kierrä ylempi kiertopainike kosteussymbolin kohdalle (asento **B**)
 - ▶ Kosteussymboli vilkkuu.
 - ▶ Ylänäyttöön ilmestyy "SlN".
3. Paina alemmaa kiertopainiketta.
 - ▶ Alanäyttöön ilmestyy "t30".
4. Kierrä alemmaa kiertopainiketta (Valinta 0–60; 0 = jälkikuivausohjelma sammutettu; 60 = enimmäistoiminta-aika minuuteissa)

Kalvoanturin aktivointi/deaktivointi

Jos lisälähtöön liitetään infrapunälämpölevy, on käytettävä kalvoanturia P-ISX-FF. Kalvoanturi täytyy aktivoida. Tee sitä varten seuraavat vaiheet:

1. Hae teknikkovalikko näkyviin (ks. **26**).
2. Kierrä ylempi kiertopainike lisälähtösymbolin kohdalle (asento **C** – ks. kohta **9.2** sivulla **31**).
 - ▶ Lisälähtösymboli palaa.
 - ▶ Ylänäyttöön ilmestyy "SEnF".
 - ▶ Alanäyttöön ilmestyy "OFF". (deaktivoitu kalvoanturi)
3. Kierrä alemmaa kiertopainiketta oikealle.
 - ▶ Alanäyttöön ilmestyy "On". (Aktivoitu kalvoanturi)

Valon himmennyskäyrän muuttaminen

Koska hehkulamput ja LEDit reagoivat himmennystoimintoon eri tavoin, himmennyskäyrää voi muuttaa vastaamaan käytettävää valojärjestelmää.

1. Hae teknikkovalikko näkyviin (ks. **26**).
2. Kierrä ylempi kiertopainike valosymbolin kohdalle (asento **D** – ks. kohta **9.2** sivulla **31**).
 - ▶ Valosymboli palaa.
 - ▶ Ylänäyttöön ilmestyy "tYPe".
 - ▶ Alanäyttöön ilmestyy "BULB".
("BULB" merkitsee, että hehkulamppujen himmennyskäyrä on aktivoituna.)
3. Kierrä alemmaa kiertopainiketta vasemmalle.
 - ▶ Alanäyttöön ilmestyy "LED".
("LED" merkitsee, että LEDien himmennyskäyrä on aktivoituna.)

Tuulettimen käyttötavan asettaminen

Tuulettimen tehoa voidaan valinnan mukaan säätää tai kytkeä. Vakioasetuksen mukaan aktivoituna on tuulettimen tehon säätö. Jos haluat deaktivoida tuulettimen tehon säädön, tee seuraavat vaiheet:

1. Hae teknikkovalikko näkyviin (ks. **26**).
2. Kierrä ylempi kiertopainike tuulettinsymbolin kohdalle (asento **E** – ks. kohta **9.2** sivulla **31**).
 - ▶ Tuulettinsymboli palaa.
 - ▶ Ylänäyttöön ilmestyy "FAn".
 - ▶ Alanäyttöön ilmestyy "On".
("On" merkitsee, että säätötoiminto on aktivoituna.)

3. Kierrä alemmaa kiertopainiketta vasemmalle.
 - ▶ Alanäyttöön ilmestyy "OFF".
 - ▶ Tuulettimen tehon säätö on deaktivoitu.

Turvakatkaisimen/ovianturin aktivoiminen

Vakioasetuksen mukaan aktivoituna on turvakatkaisin. Jos haluat aktivoida ovenavaajatoiminnon, tee seuraavat vaiheet:

1. Hae teknikkovalikko näkyviin (ks. **26**).
2. Käännä ylempi nuppi etäkäynnistyssymbolin kohdalle (asento **J** – ks. kohta **9.2** sivulla **31**).
 - ▶ Etäkäynnistykseen symboli vilkkuu.
 - ▶ Ylänäyttöön ilmestyy "SdO".
 - ▶ Alanäyttöön ilmestyy "SAFE".
3. Kierrä alemmaa kiertopainiketta oikealle.
 - ▶ Alanäyttöön ilmestyy "door".
 - ▶ Ovianturi on aktivoitu.

Ohjelmistoversion kysely

Kun haluat selvittää saunaohjaimen ohjelmistoversion, tee seuraavat vaiheet:

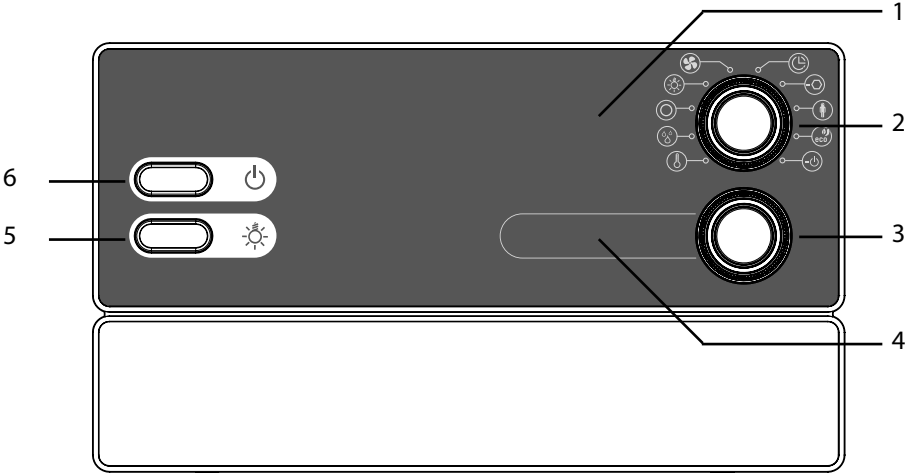
1. Hae teknikkovalikko näkyviin (ks. **26**).
2. Kierrä ylempi kiertopainike eco-symbolin kohdalle (asento **I** – ks. kohta **9.2** sivulla **31**).
 - ▶ Ylänäyttöön ilmestyy ohjelmistoversio "5.00.5"

Teknikkovalikon lopettaminen

- Paina alemmaa kiertopainiketta yhden sekunnin ajan.
 - ▶ Alempi kiertopainike lakkaa vilkkumasta.
 - ▶ Ylempi kiertopainike palaa
 - ▶ Teknikkovalikko on lopetettu.
 - ▶ Asetuksesi on tallennettu.

9. Käytölaitteet

9.1. Käytölaitteiden nimitykset



1 lisänäyttö

2 toimintojen valitsin

3 intensiteetinvalitsin

4 intensiteettinäyttö

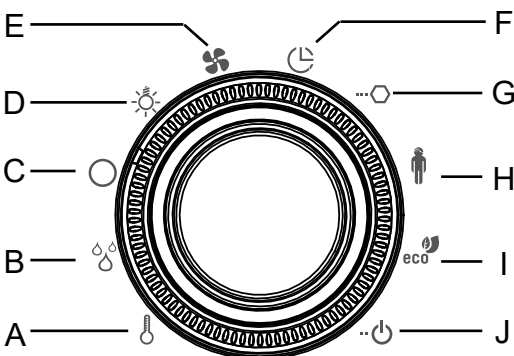
5 valokytkin

6 päälle/pois-kytkin

FI

9.2. Toimintojen valitsin

Toimintojen valitsimella 2 määrität, mitä toimintoa haluat muuttaa intensiteetin valitsimella 3. Toimintojen valitsin 2 palaa, kun saunaohjain on kytketty päälle.



A lämpötila

B Kosteus (vain PRO C3)

C lisälähtö

D valo

E tuuletin

F ajastimen aika

G päälläoloaika

H käyttäjäohjelmat

I eco-toiminto

J etäkäynnistys

9.3. Intensiiteetinvalitsin

Intensiiteetinvalitsimella 3 muutat toimintojen valitsimella 2 valitun toiminnon intensiteettiä eli tehoa.

- Kasvata tehoa kiertämällä intensiiteetinvalitsinta 3 oikealle.
- Vähennä tehoa kiertämällä intensiiteetinvalitsinta 3 vasemmalle.

Kun painat intensiiteetinvalitsinta 3 , käynnistät sen toiminnon, joka on valittu toimintojen valitsimella 2.

- Intensiiteetinvalitsin 3 palaa, kun toimintojen valitsimella 2 valittu toiminto on kytketty päälle.

10. Käyttö

10.1. Valon kytkeminen päälle

Saunahuoneen valo voidaan syyttää ja sammuttaa riippumatta PÄÄLLE/POIS-kytkimestä 6.

- Syytä tai sammuta valo painamalla valokytkintä 5.

FI



Kun valokytkin 5 on kytketty päälle, saunahuoneen valo palaa aina täydellä teholla. Jos haluat himmentää valoa intensiiteetinvalitsimella 3, kytke valokytkin 5 pois päältä.

10.2. Saunaohjaimen kytkeminen päälle

- Kytke saunaohjain päälle painamalla PÄÄLLE/POIS-kytkintä 6.
 - ▶ Toimintojen valitsin 2 palaa.



Peruskäyttö

1. Kierrä toimintojen valitsin 2 siihen toimintoon (sauna, kosteus, valo, tuuletin, lisälähtö), jonka haluat kytkeä päälle tai pois päältä.
 2. Valitse intensiiteetinvalitsimella 3 teho, jolla haluat käyttää kyseistä toimintoa.
 3. Kytke toiminto päälle tai pois päältä painamalla intensiiteetinvalitsinta 3.
-



Jos kytket kiukaan (lämpötilatoiminto **A**) pois päältä, myös höyrystin (kosteustoiminto **B**) kytkeytyy automaattisesti pois päältä.

10.3. Saunakäytön kytkeminen päälle



VAROITUS!

Palovaara

Kuumalla kiukaalla olevat tulenarat esineet voivat syttyä ja aiheuttaa tulipalon.

- ÄLÄ KOSKAAN laske tulenarkoja esineitä kiukaalle.
- Ennen kuin kytket saunaohjaimen päälle, varmista, että kiukaalla EI ole tulenarkoja esineitä.

1. Kierrä toimintojen valitsin 2 asentoon **A** (lämpötila).
 - ▶ Lämpötilasymboli palaa.
2. Valitse haluamasi lämpötila intensiteetINVALITSIMELLA 3.
3. Paina intensiteetINVALITSINTA 3.
 - ▶ Kiuas kytkeytyy päälle ja alkaa lämmitellä.
 - ▶ IntensiteetINVALITSIN 3 palaa.
 - ▶ Intensiteettinäytössä 4 näkyy saunahuoneen senhetkinen lämpötila. Yksianturikäytössä näytetään ohjelämpötila.

10.4. Yhdistelmäkäytön kytkeminen päälle (vain PRO C3)

FI

1. Kierrä toimintojen valitsin 2 asentoon **A** (lämpötila).
 - ▶ Lämpötilasymboli palaa.
2. Valitse haluamasi lämpötila intensiteetINVALITSIMELLA 3.
3. Paina intensiteetINVALITSINTA 3.
 - ▶ Kiuas kytkeytyy päälle ja alkaa lämmitellä.
 - ▶ IntensiteetINVALITSIN 3 palaa.
 - ▶ Intensiteettinäytössä 4 näkyy saunahuoneen senhetkinen lämpötila. Yksianturikäytössä näytetään ohjelämpötila.
4. Kierrä toimintojen valitsin 2 asentoon **B** (kosteus).
 - ▶ Kosteussymboli palaa.
 - ▶ Intensiteettivalitsimen 3 valo sammuu.
5. Valitse haluamasi kosteus intensiteetINVALITSIMELLA 3.

6. Paina intensiteetinvalitsinta 3.

- ▶ Höyrystin kytkeytyy päälle.
- ▶ Intensiteetinvalitsin 3 palaa.
- ▶ Intensiteetinäytössä 4 näkyy saunahuoneen senhetkinen kosteus. Jos kosteus-lämpötila-anturia ei ole asennettuna, näytetään viimeksi ohjekosteus.



Höyrystimen (kosteustoiminto **B**) voi käynnistää vain, jos kiuas (lämpötilatoiminto **A**) on kytketty päälle. Suurin asetettava ohjekosteus riippuu saunan lämpötilasta. Mitä korkeampi lämpötila, sitä vähäisempi on suurin asetettava kosteusarvo.

Poikkeus: Aktivoituna on pelkän höyrystimen käyttö (ks. ”8.2. Asetukset teknikkovalikossa” sivulla 26). Tässä tilassa höyrystimen voi ottaa käyttöön myös ilman kiuasta, maksimikosteus riippuu kuitenkin saunahuoneen senhetkisestä lämpötilasta.



Jos saunaohjainta käytetään ilman kosteus-lämpötila-anturia (FTS2), tahdistuskäyttö on aktivoituna. Jos saunahuoneen lämpötila on alle 30°, höyrystin kytketään 10 minuutiksi yhtäjaksoisesti päälle. Näin säiliössä oleva vesi saavuttaa peruslämpötilan. Sen jälkeen käynnistyy tahdistuskäyttö.

FI

10.5. Lisälähdön kytkeminen päälle

Saunaohjaimen lisälähtöön voit liittää esimerkiksi infrapunasäteilijän tai infrapunalämpölevyjä.



VAROITUS!

Palovaara

Kuumen infrapunasäteilijän päällä tai edessä olevat tulenarat esineet voivat syttyä ja aiheuttaa tulipalon.

- ÄLÄ KOSKAAN laske tulenarkoja esineitä infrapunasäteilijän päälle tai eteen.
- Ennen kuin kytket infrapunasäteilijän päälle, varmista, että sen päällä tai edessä EI ole tulenarkoja esineitä.

Lisälähtöä varten on käytettävissä 2 eri käyttötapaa:

1. Intensiteetinsäätö
2. Huonelämpötilansäätö

Vaihda käyttötavasta toiseen tekemällä seuraavat vaiheet:

1. Kierrä toimintojen valitsin 2 asentoon **C** (lisälähtö).
 - ▶ Lisälähtösymboli palaa.
 - ▶ Intensiiteetinäytössä 4 näkyy käyttötavasta riippuen joko intensiiteettiarvo tai lämpötila.
2. Paina alemmaa kiertopainiketta kolmen sekunnin ajan.
 - ▶ Ylänäytössä näkyy hetken ajan vasta asetettu käyttötapa:
 - Näyttö: **"StEP"** - lisälähtö on **intensiiteetinsäädöllä**.
 - Näyttö: **"tE"** - lisälähtö on **huonelämpötilansäädöllä**.

Intensiiteetinsäätö, kun tehonsäätötoiminto on aktivoituna

Kun lisälähdön tehonsäätötoiminto on aktivoituna, voit säätää lisälaitteen tehoa asteikolla 0–7. Kun arvo on 0, lisälaitte on kytketty pois päältä. Arvo 7 merkitsee täyttä tehoa.

1. Kierrä toimintojen valitsin 2 asentoon **C** (lisälähtö).
 - ▶ Lisälähtösymboli palaa.
2. Valitse lisälaitteen teho haluamaksesi intensiiteetinvalitsimella 3.
3. Paina intensiiteetinvalitsinta 3.
 - ▶ Lisälaitte kytkeytyy päälle.
 - ▶ Intensiiteetinvalitsin 3 palaa.

Intensiiteetinsäätö, kun tehonsäätötoiminto on deaktivoituna

Kun lisälähdön tehonsäätötoiminto on deaktivoitu, voit kytkeä lisälaitteen vain päälle ja pois. Laitte toimii aina täydellä teholla.

1. Kierrä toimintojen valitsin 2 asentoon **C** (lisälähtö).
 - ▶ Lisälähtösymboli palaa.
 - ▶ Intensiiteetinäyttöön ilmestyy "OFF".
2. Paina intensiiteetinvalitsinta 3.
 - ▶ Lisälaitte kytkeytyy päälle.
 - ▶ Intensiiteetinvalitsin 3 palaa.
 - ▶ Intensiiteetinäyttöön ilmestyy "On".

Lisälähdön huonelämpötilansäätö

Kun lisälähdön käyttötavaksi on valittu huonelämpötilan säätö, voidaan asettaa saunahuoneen lämpötila, jota säädellään lisälähdön kautta. Tätä voidaan käyttää, kun halutaan säätää saunahuoneen lämpötilaa vain infrapunasäteilijällä tai infrapunalämpölevyillä.

Asetusmahdollisuudet:

- Infrapunasäteilijä (ilman kalvoanturia): 30...70° C
- Infrapunälämpölevyt (kalvoaturilla): 30...50 °C



Jos kiuas on jo kytketty päälle tai jos se kytketään lisäksi päälle, lisälähdön lämpötilaa ei voida säätää. Käyttötavaksi vaihdetaan automaattisesti tehonsäätö, ja lisälähtö jatkaa toimintaansa suurimmalla teholla.

10.6. Valon kytkeminen päälle

Kun tehonsäätötoiminto on aktivoituna

Kun valon himmennystoiminto on aktivoituna, voit säätää valon tehoa asteikolla 0–100. Kun arvo on 0, valo on kytketty pois päältä. Arvo 100 merkitsee täyttä tehoa.

1. Kierrä toimintojen valitsin 2 asentoon **D** (valo).
 - ▶ Valosymboli palaa.
2. Valitse haluamasi valon teho intensiteetinvalitsimella 3.
3. Paina intensiteetinvalitsinta 3.
 - ▶ Valo kytkeytyy päälle.

FI



Kun valokytkin 5 on kytketty päälle, saunahuoneen valo palaa aina täydellä teholla. Jos haluat himmentää valoa intensiteetinvalitsimella 3, kytke valokytkin 5 pois päältä.

Intensiteetinvalitsin 3 palaa.

Kun tehonsäätötoiminto on deaktivoituna

Kun valon himmennystoiminto on deaktivoitu, voit kytkeä valon vain päälle ja pois. Valo palaa aina täydellä teholla.

1. Kierrä toimintojen valitsin 2 asentoon **D** (valo).
 - ▶ Valosymboli palaa.
 - ▶ Intensiteetinäyttöön ilmestyy "OFF".

2. Paina intensiteetivalitsinta 3.
 - ▶ Valo kytkeytyy päälle.
 - ▶ Intensiteetivalitsin 3 palaa.
 - ▶ Intensiteettinäyttöön ilmestyy "On".

10.7. Tuulettimen kytkeminen päälle

Kun tehonsäätötoiminto on aktivoituna

Kun tuulettimen tehon säätötoiminto on aktivoituna, voit säätää tuulettimen tehoa asteikolla 0–100. Kun arvo on 0, tuuletin on kytketty pois päältä. Arvo 100 merkitsee täyttä tehoa.

1. Kierrä toimintojen valitsin 2 asentoon **E** (tuuletin).
 - ▶ Tuuletinsymboli palaa.
2. Valitse tuulettimen teho haluamaksesi intensiteetivalitsimella 3.
3. Paina intensiteetivalitsinta 3.
 - ▶ Tuuletin kytkeytyy päälle.
 - ▶ Intensiteetivalitsin 3 palaa.

Kun tehonsäätötoiminto on deaktivoituna

Kun tuulettimen tehonsäätötoiminto on deaktivoitu, voit kytkeä tuulettimen vain päälle ja pois. Laite toimii aina täydellä teholla.

FI

1. Kierrä toimintojen valitsin 2 asentoon **E** (tuuletin).
 - ▶ Tuuletinsymboli palaa.
 - ▶ Intensiteettinäyttöön ilmestyy "OFF".
2. Paina intensiteetivalitsinta 3.
 - ▶ Tuuletin kytkeytyy päälle.
 - ▶ Intensiteetivalitsin 3 palaa.
 - ▶ Intensiteettinäyttöön ilmestyy "On".



VAROITUS!

Palovaara

Kuumalla kiukaalla olevat tulenarat esineet syttyvät ja aiheuttavat tulipalon.

- ÄLÄ KOSKAAN laske tulenarkoja esineitä kiukaalle.
- Ennen kuin kytket ajastintoiminnon päälle, varmista, että kiukaalla EI ole tulenarkoja esineitä.

10.8. Ajastimen asettaminen

Voit säätää ajastinta minuutin tarkkuudella. Ajastimen maksimiaika on 24 tuntia. Ajastimen aika näytetään tunteina ja minuutteina, esimerkiksi 8 tuntia ja 15 minuuttia näytetään muodossa 8.15.

1. Kytke päälle ne toiminnot, joiden halutaan kytkeytyvän päälle ajastimeen asetetun ajan kuluttua umpeen.
2. Kierrä toimintojen valitsin 2 asentoon **F** (ajastimen aika).
 - ▶ Intensiiteetinäytössä 4 näkyy ajastimeen viimeksi asetettu aika.
3. Valitse haluamasi aika intensiiteetinvalitsimella 3.
4. Paina intensiiteetinvalitsinta 3.
 - ▶ Saunaohjain siirtyy valmiustilaan ja ajastin on käynnissä.
 - ▶ Intensiiteetinäytössä 4 näkyy ajastimen jäljellä oleva aika.
 - ▶ Ajastinsymboli vilkkuu.
 - ▶ Intensiiteetinvalitsin 3 palaa.
 - ▶ Kun ajastimeen asetettu aika on kulunut umpeen, valitut toiminnot kytkeytyvät päälle.

10.9. Ajastintoiminnon keskeyttäminen

- Keskeytä ajastintoiminto pois painamalla intensiiteetinvalitsinta 3.
 - ▶ Ajastimeen asetettu aika lakkaa kulumasta.
 - ▶ Ajastinsymboli palaa taukoamatta.

10.10. Päälläoloajan asettaminen

Jo kytkiessäsi saunaa päälle voit määrittää, kuinka kauan haluat saunan olevan päällä. Maksimilämmitysaikaa (yksityissaunojen osalta 6 tuntia) ei kuitenkaan voi ylittää. Päälläoloaika näytetään tunteina ja minuutteina, esimerkiksi 3 tuntia ja 15 minuuttia näytetään muodossa 3.15.

1. Kierrä toimintojen valitsin 2 asentoon **G** (päälläoloaika).



- Paina intensiiteettivalitsinta 3 ja kierrä sitä samalla.
 - ▶ Ajastimeen asetettu aika tai päälläoloaika muuttuu tunti kerrallaan.

- ▶ Intensiiteetinäytössä 4 näkyy viimeksi asetettu päälläoloaika.
2. Valitse haluamasi päälläoloaika intensiiteetinvalitsimella 3.
3. Jos haluat tallentaa päälläoloajan muistiin, paina alemmaa kiertopainiketta kolmen sekunnin ajan.



Tämä aktivointi täytyy tehdä uudelleen joka kerta, kun kiuas on etäkytketty päälle tai pois.

- ▶ Alempi kiertopainike syttyy 4 kertaa – asetus on tallentunut muistiin.

10.11. Valmiustila etäkytkennän aktivoimiseksi

Standardin EN 60335-2-53 mukaan etäkäynnistystoiminnolla varustetut saunaohjaimet täytyy kytkeä manuaalisesti käyttötilaan "Valmiustila etäkytkennän aktivoimiseksi".

Kun turvakatkaisu on aktivoitu (vakioasetus)

Tee sitä varten seuraavat vaiheet:

1. Kierrä toimintojen valitsin 2 asentoon **J** (etäkäynnistys).
 - ▶ Intensiiteetinäytössä 4 näkyy "oFF".
2. Aktivoi käyttötapa "Valmiustila etäkytkennän aktivoimiseksi" painamalla alemmaa kiertopainiketta.
 - ▶ Intensiiteetinäytössä 4 näkyy "on", ja etäkytkentäsymboli alkaa vilkkua.
 - ▶ Saunaohjain on nyt valmiina kytkeytymään päälle tai pois etäkytkentäsignaalin avulla.
 - ▶ Kun kiuas on etäkytketty päälle tai pois, etäkytkentäsymboli sammuu, ja käyttötilan aktivointi on tehtävä uudelleen.

Kun ovianturi on aktivoitu

Tee sitä varten seuraavat vaiheet:

1. Kierrä toimintojen valitsin 2 asentoon **J** (etäkäynnistys).
 - ▶ Intensiiteetinäytössä 4 näkyy "oFF".
2. Aktivoi käyttötapa "Valmiustila etäkytkennän aktivoimiseksi" painamalla alemmaa kiertopainiketta.
 - ▶ Intensiiteetinäytössä 4 näkyy vähenevä aika 30 sekuntia. Ovi voidaan avata/sulkea tänä aikana miten monta kertaa tahansa. Kun aika on ku-

lunut loppuun, oven on oltava kiinni!

- ▶ Intensiteetinäytössä 4 näkyy "rc", ja etäkytkentäsymboli alkaa vilkkua.
- ▶ Saunaohjaus on nyt valmis käynnistettäväksi etäkäynnistyssignaalilla (= tila "Etäohjauksen valmiustila")
- ▶ Kun kiuas on etäkytketty päälle tai pois, etäkytkentäsymboli sammuu, ja käyttötilan aktivointi on tehtävä uudelleen.

Ovi avataan – näytössä näkyy varoitus "door"

– tilassa "Etäohjauksen valmiustila":

Jotta tilaa voidaan jatkaa, ovi on suljettava ja alemmaa kiertopainiketta on painettava kaksi kertaa.

- ▶ Näyttöön ilmestyy jälleen vähenevä aika (30 s).

– Kun jatkuvassa käytössä tai kun etäkäynnistyslähtö on vapautettu (kolikko-ohjaimelle tai ovianturijärjestelmälle):

Kuittausta tapahtuu automaattisesti, kun ovi suljetaan.

10.12. Ohjearvojen muuttaminen

Voit muuttaa asetettuja ohjearvoja milloin tahansa käytön aikana.

1. Kierrä toimintojen valitsin 2 sille toiminnolle, jota haluat muuttaa.
2. Aseta haluamasi ohjearvo intensiteetinvalitsimella 3.

FI



Jotta homeen ja lahon muodostuminen voidaan estää, jälkikuivaustointoa EI pidä keskeyttää.

10.13. Jälkikuivausohjelman keskeyttäminen

Yhdistelmäkäytön jälkeen jälkikuivausohjelma käynnistyy automaattisesti. Toiminto lämmittää saunahuoneen 80 °C:seen tuulettimen käydessä. (Vakio = 30 minuuttia – asetuksesta riippuen teknikkovalikossa). Intensiteetinäytössä 4 näkyy teksti "dry", ja lämpötilasymboli vilkkuu.

- Keskeytä jälkikuivausohjelma painamalla intensiteetinvalitsinta 3 kolmen sekunnin ajan.

10.14. Saunaohjaimen kytkeminen pois päältä

- Kytke saunaohjain pois päältä painamalla PÄÄLLE/POIS-kytkintä 6.
 - ▶ Toimintojen valintakytkimessä 2 ja intensiteettikytkimessä olevat valot sekä intensiteetinäyttö sammuvat.
 - ▶ Saunaohjain on kytketty pois päältä.

11. Käyttäjöohjelmat

Käyttäjöohjelmien ansiosta mieleiset sauna-asetukset on mahdollista tallentaa ja hakea uudelleen käyttöön. Käytettävissä on 5 esiasetettua käyttäjöohjelmaa, joita voidaan muuttaa käyttäjien haluamalla tavalla.

Seuraavien toimintojen asetukset tallennetaan käyttäjöohjelmiin:

- Lämpötila
- Kosteus (vain PRO C3)
- Lisälähtö (intensiteetin tai huonelämpötilan säätö)
- Valaisin
- Tuuletin
- Kesto aika

11.1. Esiasetetut käyttäjöohjelmat

Seuraavat käyttäjöohjelmat on määritetty valmiiksi.

Käyttäjöohjelma	Lämpötila °C	Kosteus %	Lisälähtö	Valaisin %	Tuuletin %	Kesto aika Tuntia
1	90	0	0	50	0	2
2	70	0	0	50	0	2
3	50	60	0	50	0	2
4	60	35	0	50	0	2
5	30	0	7	50	0	1

FI

Käyttäjöohjelmien hakeminen

1. Kierrä toimintojen valitsin 2 asentoon **H** (käyttäjöohjelmat).
 - ▶ Käyttäjösymboli palaa.
2. Valitse intensiteettivalitsimella 3 jokin käyttäjöohjelma (1–5).
3. Paina intensiteetinvalitsinta 3.
 - ▶ Käyttäjöohjelma käynnistyy.
 - ▶ Intensiteetinvalitsin 3 palaa.

11.2. Omien käyttäjöohjelmien luominen

Voit luoda käyttäjöohjelmia omien toiveitasi mukaan. Tällöin esiasetettu käyttäjöohjelma korvataan uudella. Tee sitä varten seuraavat vaiheet:

1. Kytke kaikki toiminnot, joiden on määrä kytkeytyä päälle, ja säädä ne haluamallasi teholla.
2. Kierrä toimintojen valitsin 2 asentoon **H** (käyttäjäohjelmat).
 - ▶ Käyttäjäsymboli palaa.
3. Valitse intensiteettivalitsimella 3 numero (1–5), jolla haluat tallentaa uuden käyttäjäohjelman.
4. Paina intensiteettivalitsinta 3 kolmen sekunnin ajan.
 - ▶ Intensiteettivalitsin vilkkuu.
 - ▶ Asetukset on tallennettu valittuun käyttäjäohjelmaan.

Esimerkki

<i>Käyttäjä-ohjelma</i>	<i>Lämpötila</i>	<i>Kosteus</i>	<i>Lisälähtö</i>	<i>Valaisin</i>	<i>Tuuletin</i>	<i>Kestoai-ka</i>
	°C	%		%	%	Tuntia
2	45	55	0	50	0	3

12. Eco-toiminto

FI

Eco-toiminnon ansiosta voit säästää energiaa saunomiskertojen välillä. Liitetyt laitteet toimivat pienemmällä teholla eco-toiminnon ollessa aktivoituna. Voit valita saunomiskertojen välisen tauon pituudeksi 20, 40 tai 60 minuuttia.

Kiuas ja höyrystin kytkeytyvät jälleen päälle ennen tauon päättymistä. Näin ohjelämpötila ja ohjekosteus on taas saavutettu saunomiskertojen välisen tauon päättyessä.

Aktivoi eco-toiminto tekemällä seuraavat vaiheet:

1. Kierrä toimintojen valitsin 2 asentoon **I** (eco-toiminto).
 - ▶ Eco-symboli palaa.
2. Valitse haluamasi tauko aika intensiteetinvalitsimella 3.
 - E20 tarkoittaa 20 minuutin taukoa saunomiskertojen välillä.
 - E40 tarkoittaa 40 minuutin taukoa saunomiskertojen välillä.
 - E60 tarkoittaa 60 minuutin taukoa saunomiskertojen välillä.
3. Paina intensiteetinvalitsinta 3.
 - ▶ Intensiteetinvalitsin 3 palaa.
 - ▶ Lisänäytössä 1 näytetään, kuinka monen minuutin kuluttua kiuas kytkeytyy päälle, jotta ohjelämpötila on saavutettu tauon päättyessä.

13. Puhdistus ja huolto

13.1. Puhdistus

HUOMIO!

Laitteen vauriot

Saunaohjain on roiskevesisuojaattu, mutta laite voi kuitenkin vaurioitua joutuessaan suoraan kosketukseen veden kanssa.

- ÄLÄ KOSKAAN upota laitetta veteen.
- Älä kaada laitteen päälle vettä.
- Älä puhdista laitetta liian kostealla liinalla.

1. Kasta puhdistusliina mietoon saippuoliuokseen.
2. Väännä puhdistusliina kuivaksi.
3. Pyyhi saunaohjaimen kotelo varovasti puhtaaksi.

13.2. Huolto

Saunaohjainta ei tarvitse huoltaa.

14. Hävittäminen



- Hävitä pakkausmateriaali voimassaolevien määräysten mukaisesti.
- Laiteromussa on kierrätettäviä materiaaleja, mutta myös haitallisia aineita. Älä siis missään tapauksessa hävitä laiteromua sekajätteen mukana, vaan hävitä laite paikallisten voimassa olevien määräysten mukaisesti.

15. Ongelmanratkaisu

15.1. Virheilmoitukset

Saunaohjaimessa on diagnoosiohjelmisto, joka tarkistaa järjestelmän tiloja päällekytkennän ja käytön aikana. Saunaohjain kytkee kiukaan pois päältä heti, kun diagnoosiohjelmisto havaitsee virheen.

Virheet ilmaistaan toistuvalla varoitusäänellä ja toimintojen valitsimen 2 sekä intensiteetivalitsimen 3 vilkkumisella. Lisäksi lisänäytössä 1 näkyy teksti "Err". Intensiteettinäytössä 4 näkyy virheen numero.

Kytke saunaohjain pois päältä PÄÄLLE/POIS-kytkimellä 6 ja korjaa virhe, ennen kuin kytket saunaohjaimen uudelleen päälle.

Seuraavassa taulukossa on kuvattu mahdolliset virheet ja niiden aiheuttajat. Ilmoita virheen numero tarvittaessa asiakaspalveluun.

Virhe	Kuvaus	Syy / ratkaisu
01	Turvakatkaisin	Kiukaan päällä on esine. Poista esine, ennen kuin otat saunaohjaimen uudelleen käyttöön. Jos turvakatkaisinta ei ole asennettu, noudata kohtaa 5.10. sivulla 21.
02	Ylikuumenemissulake	Kiukaan yläpuolen enimmäislämpötila 139 °C on ylittynyt.
04F1	Kiuasanturin virhe	Viallinen kiuasanturi, huono kosketus tai oikosulku
05	Kalvoanturin virhe	Viallinen kalvoanturi, huono kosketus tai oikosulku
06F2	Laudeanturin virhe	Viallinen laudeanturi, huono kosketus tai oikosulku
07	Kosteusanturin virhe	Viallinen kosteusanturi, huono kosketus tai oikosulku
08	Kalvoanturin ylikuumeneminen	Kalvon enimmäislämpötila 100 °C on ylittynyt.
door	Saunan ovi auki	Saunaohjain on yhdistetty ovianturiin. Sulje ovi ja tarkasta liitännät tai asetukset.

15.2. Vedenpuutteen näyttö (vain PRO C3)

Yhdistelmäkäytössä saunaohjaimessa on automaattinen vedenpuutteen näyttö, mikäli yhdistelmäkiukaasi sitä tukee.

Jos höyrystimen vesisäiliö on tyhjä, asiasta kerrotaan toistuvalla merkkiäänellä ja tekstillä "FILL" lisänäytössä 1. Samalla höyrystin kytkeytyy pois päältä.

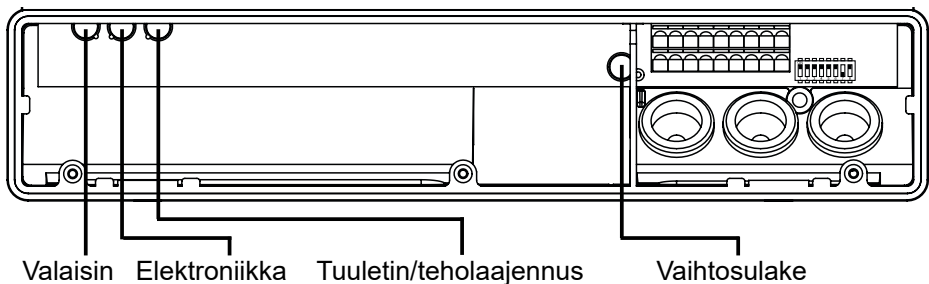
- Lisää höyrystimen vesisäiliöön vettä.
 - ▶ Vähän ajan päästä teksti "FILL" sammuu, ja höyrystin alkaa taas kuumentaa.

15.3. Sulakkeet

Saunaohjaimen liitäntäalueella on sulakkeet valoa, tuuletinta/teholaaennusta ja elektroniikkaa varten sekä vaihtosulakkeet.

Ne ovat hitaita 1A-mikrosulakkeita.

Niitä voi tilata tuotenumeroilla PRO-FUSE.



Kun vaihdat sulakkeen, vedä sulake irti suorassa asennossa ja aseta uusi sulake paikoilleen.

16. Tekniset tiedot

Ympäristövaatimukset

Varastointilämpötila:	-25 °C – +70 °C
Ympäristön lämpötila:	-10 °C...+40 °C
Ilmankosteus:	maks. 95 %

Saunaohjain

Mitat:	307 x 175 x 57 mm
Kytkenjännite / kolmivaiheinen 3N:	400 V AC
Taajuus:	50 Hz
Kytkenäteho/lämmityslaite:	3 x 3,5 kW
Kytkenävirta per vaihe/lämmityslaite:	16 A
Kytkenäteho/höyrystin:	3,5 kW
Kytkenävirta /höyrystin:	16 A
Kytkenäteho/lisälähtö (säädetty teho)*	500 W
Kytkenäteho/lisälähtö (kytketty)*	3,5 kW
Kytkenävirta/lisälähtö:	16 A
Tilälähtö:	24 V / 200 mA
Nimellisjännite:	230 V
Kotelointiluokka (roiskevesisuojattu):	IPX4
Liitetään syöttöverkkoon kiinteällä johdotuksella (kiinteä asennus)	

FI

Valaisin

Kytkenäteho:	100 W
Sulake:	1A T

Tuuletin

Kytkenäteho:	100 W
Sulake:	1A T

Säätöalueet

Lämpötila:	30 °C – 110 °C
Kosteus:	0 % ... 100 %

Suurin asetettava kosteus riippuu saunan lämpötilasta. Mitä korkeampi lämpötila, sitä vähäisempi on suurin asetettava kosteusarvo.

* Lisälähtöä ei ole varustettu ylikuumenemissulakkeella. Siksi lisälähtöön saa yhdistää ainoastaan itsessään vaarattomia laitteita.

Terminen turvallisuus

Kiuasanturi, jossa ylikuumenemissulake (139 °C sammutuslämpötila)
Lämmitysajan automaattinen rajoitus säädettävissä (6 h, 12 h, 18 h, 24 h)*
Valinnaisena yksianturi- tai kaksianturikäyttö

Liitäntäjohdot

Syöttöjohto:	min. 5 x 2,5 mm ²
Kiukaan syöttöjohto (kuumuudenkestävyys 150 °C:een asti):	min. 2,5 mm ²
Anturijohdot (kuumuudenkestävyys 150 °C:een asti):	min. 0,5 mm ²
Valojohto:	min. 1,5 mm ²
Tuuletinjohto:	min. 1,5 mm ²

Harvia PRO C

HARVIA

Sauna & Spa

Bastystyrenhet

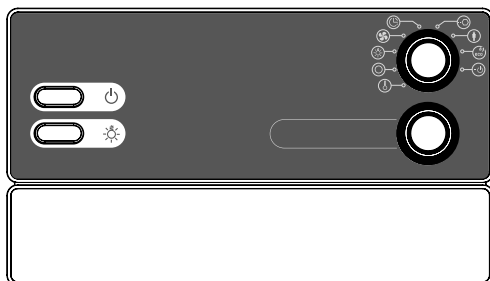
Monterings- och bruksanvisning

Let's sauna.

Itm.nr.

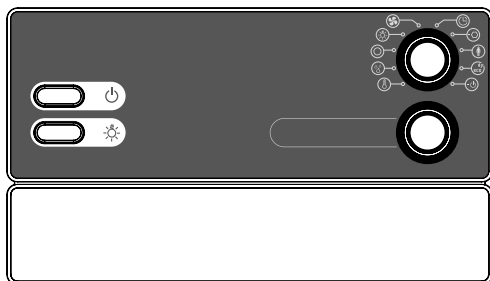
PRO-C2 1-015-448

PRO-C3 1-015-451



PRO-C2

SV



PRO-C3



Innehållsförteckning

1. Om monterings- och bruksanvisningen	5
2. Viktig säkerhetsinformation	6
2.1. Ändamålsenlig användning	6
2.2. Säkerhetsanvisningar för installatören	7
2.3. Säkerhetsanvisningar för användaren	8
3. Produktbeskrivning	9
3.1. Leveransomfattning	9
3.2. Tillbehör	9
3.3. Funktioner	9
3.4. Driftsätt	11
3.5. Driftsätt givare	11
4. Montering	13
4.1. Montera styrenhet	13
4.2. Montera aggregatgivare F1 med övertemperaturskydd	15
4.3. Montera bänkgivare F2 (tillval)	16
4.4. Montera fukt-temperaturgivaren FTS2 (tillval, endast PRO C3)	16
4.5. Montera foliegivare (tillval)	16
5. Elanslutning	17
5.1. Ansluta försörjningsledning, aggregat och förångare	18
5.2. Ansluta belysning	18
5.3. Ansluta fläkt (tillval)	18
5.4. Ansluta extra utgång (tillval)	19
5.5. Ansluta effektförstärkning (tillval)	19
5.6. Ansluta aggregatgivare F1	19
5.7. Ansluta bänkgivare F2 (tillval)	20
5.8. Ansluta fukt-temperaturgivare FTS2 (tillval, endast PRO C3)	20
5.9. Ansluta foliegivare (tillval)	20
5.10. Ansluta säkerhetsavstängning/dörrsensor	21
5.11. Fjärrstart	21

5.12. Statusutgång.....	21
5.13. Ansluta installationen.....	21
6. Genomföra kontroller.....	22
7. Kopplingsschema.....	23
8. Driftstart.....	24
8.1. Ställa in funktionsomkopplare.....	24
8.2. Inställningar i Teknikermenyn.....	26
9. Kontrollelement/display.....	31
9.1. Beteckning över manöverreglage.....	31
9.2. Funktionsväljaren.....	31
9.3. Intensitetsväljaren.....	32
10. Användning.....	32
10.1. Slå på belysningen.....	32
10.2. Slå på styrenheten.....	32
10.3. Starta bastudriften.....	33
10.4. Starta kombidrift (endast PRO C3).....	33
10.5. Starta extrautgång.....	34
10.6. Slå på belysningen	36
10.7. Starta fläkt.....	37
10.8. Ställa in timer.....	37
10.9. Avbryta timerfunktion.....	38
10.10. Ställa in löptid.....	38
10.11. Aktivera standby för fjärrstyrning.....	39
10.12. Ändra börvärden.....	40
10.13. Avbryta eftertorkningsprogram.....	40
10.14. Stänga av styrenheten.....	40

11. Användarprogram	41
11.1. Förinställda användarprogram	41
11.2. Skapa egna användarprogram	41
12. Eco-funktionen	42
13. Rengöring och underhåll	43
13.1. Rengöring	43
13.2. Underhåll	43
14. Avfallshantering	43
15. Problemlösning	44
15.1. Felmeddelanden	44
15.2. Indikering för vattenbrist (endast PRO C3)	45
15.3. Säkringar	45
16. Tekniska data	46

1. Om monterings- och bruksanvisningen

Läs hela monterings- och bruksanvisningen noga och förvara den sedan i närheten av bastustyrenheten. Du kan då när som helst läsa de specifika säkerhets- och användningsanvisningarna.



Den här monterings- och bruksanvisningen kan även laddas ner från vår webbsida, www.mediabank.harvia.com

Symboler och varningar

I den här monterings- och bruksanvisningen används olika varningssymboler vid avsnitt som beskriver situationer som kan medföra fara eller risker av olika slag. Dessa varningar ska alltid beaktas. På så sätt undviker man sakskador och personskador, som i värsta fall kan ha dödlig utgång.

Följande signalord används:



FARA!

Om de här varningarna/anvisningarna inte följs leder det till allvarliga eller livsfarliga skador.



WARNING!

Om de här varningarna/anvisningarna inte följs kan det leda till allvarliga eller livsfarliga skador.



FÖRSIKTIGHET!

Om de här varningarna/anvisningarna inte följs kan det leda till lindriga skador.

WARNING!

Varnar för sakskador.

Övriga symboler



Används vid tips och nyttig information.

2. Viktig säkerhetsinformation

Styrenheten PRO C2/PRO C3 har konstruerats och tillverkats enligt vedertagna säkerhetstekniska regler. Det kan ändå uppstå vissa risker under användningen. Följ alltid nedanstående säkerhetsanvisningar och observera de särskilda varningarna i resp. kapitel. Observera även säkerhetsanvisningarna till anslutna apparater.

2.1. Ändamålsenlig användning

Styrenheten PRO C2/PRO C3 ska endast användas för att styra och reglera funktionerna enligt tekniska data.

Styrenheten PRO C2/PRO C3 får endast användas till att reglera ett bastuaggregat som har klarat ett övertäckningstest enligt 19.101 i EN 60335-2-53. Om man inte kan uppfylla det här villkoret med aggregatet måste man vidta lämpliga säkerhetsförebyggande åtgärder (t.ex. genomföra en säkerhetsavstängning/dörröppnare, se **5.10** på sidan **21**).

SV

Styrenheten PRO C2/PRO C3 får endast användas för att styra och reglera 3 värmekretsar med en värmeeffekt på max. 3,5 kW per värmekrets. Max. effekt på extrautgången är 3,5 kW. Max. förångareffekt (endast PRO C3) är 3,5 kW.

All annan användning betraktas som ej ändamålsenlig. Ej ändamålsenlig användning kan leda till skador på produkten och innebära risk för allvarliga eller livsfarliga skador.

2.2. Säkerhetsanvisningar för installatören

- Montering/installation får endast utföras av elektriker.
- Arbeten på bastustyrenheten får endast genomföras i spänningslöst tillstånd.
- På plats ska en allpolig fränkskiljare med komplett avstängning enligt överspänningskategori III installeras.
- Bastustyrenheten ska monteras utanför bastun på ca 1,70 meters höjd eller enligt rekommendationen från bastuns tillverkare. Omgivningstemperaturen måste ligga inom området -10 °C till 40 °C.
- Aggregatgivaren ska monteras så att den inte påverkas av inströmmande luft.
- Elkabeln till aggregatet måste ha en kabelarea på minst 2,5 mm² och vara temperaturbeständig upp till 150 °C.
- Följ gällande lokala bestämmelser.
- Om det uppstår problem som inte beskrivs tillräckligt detaljerat i monteringsanvisningarna, vänd dig, för din egen säkerhets skull, till leverantören/återförsäljaren.

2.3. Säkerhetsanvisningar för användaren

- Barn under 8 år får inte använda bastustyrenheten.
- Under följande förutsättningar får bastustyrenheten användas av barn över 8 år, av personer med nedsatt psykisk, sensorisk eller mental förmåga och av personer som saknar erfarenhet och kunskap med/om liknande utrustningar:
 - under uppsikt.
 - när de har instruerats om säker användning och känner till vilka risker som kan uppstå.
- Barn får inte leka med bastustyrenheten.
- Barn under 14 år får endast rengöra bastustyrenheten under uppsikt.
- Av hälsoskäl bör man inte bada bastu när man är påverkad av alkohol, läkemedel eller droger.
- Kontrollera att det inte finns några brännbara föremål på bastuaggregatet innan bastustyrenheten slås på.
- Kontrollera att det inte finns några brännbara föremål på bastuaggregatet innan du aktiverar timerfunktionen eller standby-läget för fjärrstart.
- Kontrollera att det inte finns några brännbara föremål på eller framför den infraröda lampan innan bastustyrenheten slås på.
- Kontrollera att det inte finns några brännbara föremål på eller framför den infraröda lampan innan du aktiverar timer eller standby-läget för fjärrstart.
- Om det uppstår problem som inte beskrivs tillräckligt detaljerat i bruksanvisningen, vänd dig, för din egen säkerhets skull, till leverantören/återförsäljaren.

3. Produktbeskrivning

3.1. Leveransomfattning

- Bastustyrenhet
- Aggregatgivare med integrerat övertemperaturskydd
- Monteringsmaterial

3.2. Tillbehör

- Bänkgivare (1-009-231/O-F2)
- Fukt-temperaturgivare (1-010-081/O-FTS2)
- Foliegivare (1-014-445/P-ISX-FF)
- Effektförstärkning (1-008-779/O-S2-18, 1-009-280/O-S2-30)
- Vippbrytare (SFE-xxxxx)
- Dörrsensor Home (1-052-723 / SAB00103)
- MySentio Wifi (1-053-313/S-WIFI01)
- MySentio Remote (1-053-314/S-WIFI02)

3.3. Funktioner

Styrenheten Pro C2 har följande funktioner:

- Reglering av bastuaggregat på upp till 10,5 kW i ett temperaturområde på mellan 30 °C och 110 °C.
- Med en effektförstärkning kan max. bryteffekt ökas från 10,5 kW till 18 kW eller 30 kW.
- Reglera eller tända/släcka en bastulampa (upp till 100 W)
- Reglera eller aktivera/avaktivera en fläkt (upp till 100 W)
- Fjärrstartfunktion
- Dörrövervakning
- Statusutgång
- Timer (upp till 24 timmar)
- Automatisk tidsgräns för uppvärmning
Styrenheten stängs av automatiskt när max. uppvärmningstid har löpt ut. Max. uppvärmningstid kan ställas in till 6 h, 12 h, 18 h eller 24 h.

- **Extrautgång**
Reglera (upp till 500 W), aktivera/avaktivera (upp till 3,5 kW) eller reglera temperaturen i bastun via extrautgången.

Extrautgången har inget övertemperaturskydd. Därför får endast egensäkra enheter anslutas till extrautgången.

- Infraröda lampor som ansluts till extrautgången måste vara försedda med övertemperaturskydd. Vi rekommenderar att följande infraröda lampor används:
 - DIR-350-R, WIR-350-R, DIR-500-R, WIR-500-R, DIR-750-R, WIR-750-R, DIR-1300-R, WIR-1300-R
 - ECO-350-R, ECO-350-G, ECO-500-R, ECO-500-G, ECO-750-R
- Om en av följande infraröda värmeplattor ansluts till extrautgången måste foliegivaren P-ISX-FF användas och aktiveras i Teknikermenyn (se **8.2. Inställningar i Teknikermenyn** på sidan **26**):
 - IR-WP-100, IR-WP-175, IR-WP-390, IR-WP-510
 - IR-WPHL-100, IR-WPHL-175, IR-WPHL-390, IR-WPHL-510

- **Användarprogram**
Med användarprogrammen kan man lagra och öppna bastuinställningar. 5 förinställda användarprogram, som kan ändras av användaren, står till förfogande.
- **Eftertorkningsprogram**
Efter kombidriften startar eftertorkningsprogrammet automatiskt, för att förhindra att mögel och röta bildas i bastukabinen. Med fläkten igång värms bastun upp till 80 °C under 30 minuter.
- **Övertemperaturskydd**
Övertemperatursäkringen sitter i huset på aggregatgivaren. Om bastuaggregatet fortsätter att värma efter att inställd temperatur har nåtts, stänger övertemperaturskyddet av bastuaggregatet automatiskt vid cirka 139 °C.

PRO C3

Funktioner som på PRO C2, men dessutom:

- Reglering av kombiaggregat med upp till 10,5 kW effekt och upp till 3,5 kW ångeffekt i ett temperaturområde från 30 °C till 110 °C och ett fuktighetsområde från 5 till 100 %
- **Eftertorkningsprogram**
Efter kombidriften startar eftertorkningsprogrammet automatiskt, för att förhindra att mögel och röta bildas i bastukabinen. Med fläkten igång värms bastun upp till 80 °C.
Valbar längd är från AV till 60 minuter.

3.4. Driftsätt

Styrenheten PRO B2 möjliggör bastudrift. Styrenheten Pro C3 har två driftsätt, bastu- och kombidrift.

Bastudrift

I bastudrift skapas det torr värme. Temperaturen i bastun är hög (80 till 100 °C). Fukthalten är låg, max. 10 %.

Kombidrift

I kombidrift är både bastuaggregatet och förångaren i drift. Temperaturen i bastun är lägre (ca 40 till 65 °C) än i bastudrift, men den relativa luftfuktigheten är betydligt högre, från 35 % till 70 %. Max. inställningsbar fuktighet beror på bastutemperaturen. Ju högre bastutemperatur, desto lägre max. inställningsbart fuktvärde (se **kurva på sidan 12**)

3.5. Driftsätt givare

Styrenheten kan drivas med en eller två givare. Som andra givare kan en temperaturgivare (bänkgivare, F2) eller en fukt-temperaturgivare (FTS2) användas.

Drift med en givare (F1)

Drift med en givare måste aktiveras i Teknikermenyn (se **8.2. Inställningar i Teknikermenyn** på sidan **26**).

Vid drift med en givare drivs bastustyrenheten endast med aggregatgivaren med övertemperaturskydd (F1). Den ingår i leveransomfattningen.

I drift med en givare visar styrenheten som standard bara avsedd temperatur. År-temperatur visas inte. När styrenheten ska visa temperaturen över aggregatet i drift med en givare (F1-givare) som år-temperatur måste detta aktiveras vid idrifttagningen (se **8.2. Inställningar i Teknikermenyn** på sidan **26**).

Vid drift med en givare riktar sig max inställningsbart fuktvärde efter temperaturen ovanför aggregatet och fuktigheten justeras efter temperaturen. I displayen på styrenheten visas bara börvärdet för fuktighet (i % relativ fuktighet). Den faktiska fuktigheten i bastun beror på bastuns storlek och förångarens effekt och kan avvika från inställt börvärde.

Drift med bänkgivare (F2)

Drift med två givare är aktiverad från fabrik.

Vid drift med två givare monteras en andra temperaturgivare (bänkgivare) ovanför den bakre bastubänken. Bastustyrenheten visar temperaturen från bänkgivaren som faktisk temperatur.

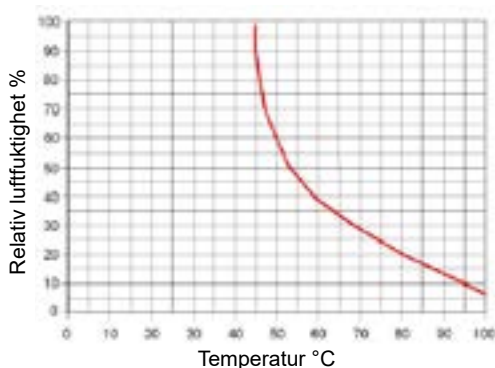
Vid drift med två givare med bänkgivare är fuktigheten justerad. I displayen på styrenheten visas bara börvärdet för fuktighet (i % relativ fuktighet). Den faktiska fuktigheten i bastun beror på bastuns storlek och förångarens effekt och kan avvika från inställt börvärde.

Drift med två givare med fukt-temperaturgivare (FTS2)

Drift med två givare är aktiverad från fabrik.

Vid drift med två givare med en fukt-temperaturgivare visar bastustyrenheten temperaturen från fukt-temperaturgivaren som faktisk temperatur.

Vid drift med två givare med en fukt-temperaturgivare regleras förångaren efter uppmätt fuktighet i bastun. På bastustyrenhetens display visas bara börvärdet för fuktighet i bastun (i % relativ fuktighet).



SV

EN 60335-2-53:2011; temperaturkurva/relativ luftfuktighet för korrekt användning.

4. Montering

4.1. Montera styrenhet

VARNING!**Skador på enheten**

Bastustyrenheten är skyddad mot stänkvatten, men apparaten kan skadas vid direkt kontakt med vatten.

- Montera bastustyrenheten på ett torrt ställe där max. luftfuktigheten aldrig överskrider 95 %.

OBS!**Störningskällor kan påverka signalöverföringen**

- Dra alla givarledningar separat från andra nätledningar och styrledningar.
- Skydda enkelisolerade kablar med ett rör (dubbel isolering).

Observera följande punkter vid montering av bastustyrenheten:

- Bastustyrenheten ska monteras utanför bastun eller enligt rekommendationen från bastuns tillverkare.
- Omgivningstemperaturen måste ligga inom området -10 °C till 40 °C.
- Alla givare får endast anslutas med de bifogade givarledningarna, som är temperaturbeständiga upp till 150 °C.



Givarledningar får endast förlängas under följande förutsättningar:

- En värmebeständig (upp till 150 °C) silikonkabel används.
 - Min. kabelarea är 0,5 mm².
 - Aggregatgivarledningarna får INTE vara längre än 10 m.
-

Genomför följande steg för att montera bastustyrenheten:

1. Skruva in två stjärnskruvar (16 mm) på ca 1,70 m höjd i bastuväggen tills 7 mm sticker ut. De båda skruvarna måste ha ett avstånd på 145 mm (se **Bild1**).

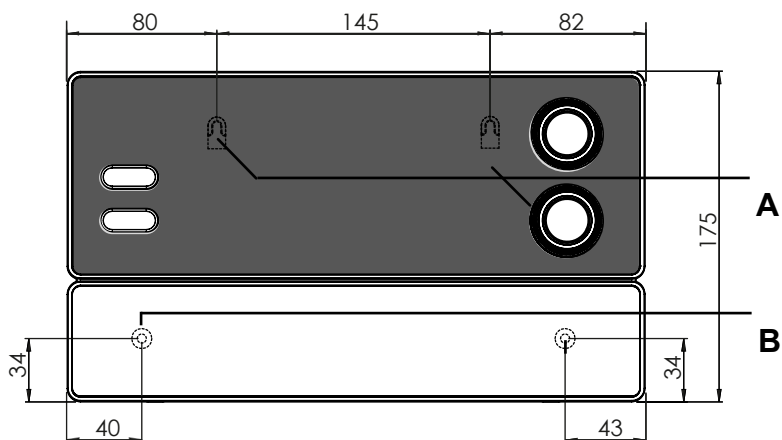


Bild1 Position på upphängningsanordningen och monteringshålen (mått i mm)

SV

2. Tryck in klämlåsen **C** med en skruvmejsel och ta av locket (se **Bild2**).
3. Häng upp styrenheten i upphängningsanordningen **A** på de inskruvade stjärnskruvarna (se **Bild1**).
4. Skruva in två stjärnskruvar (16 mm) i de nedre hålen **B** (se **Bild1**).

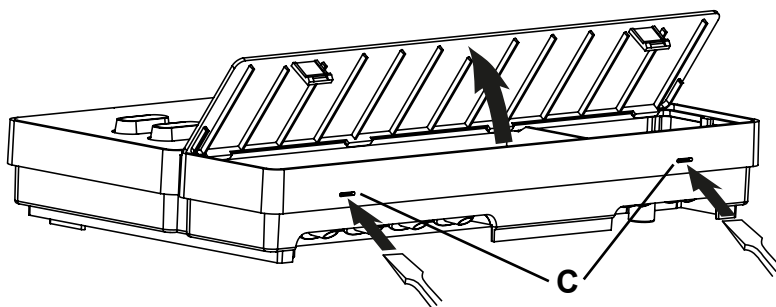


Bild2 Ta av locket

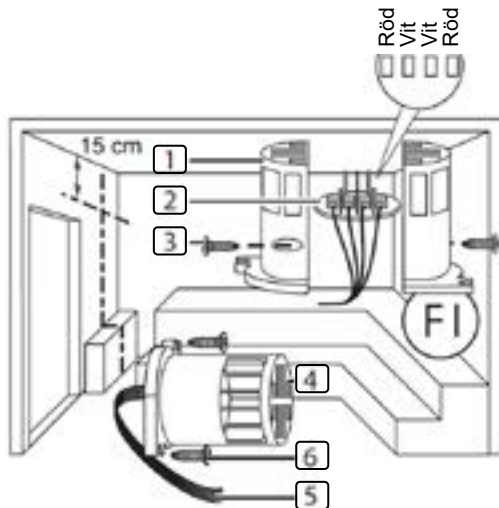
4.2. Montera aggregatgivare F1 med övertemperaturskydd

Observera följande punkter vid montering av aggregatgivaren:

- Aggregatgivaren ska monteras på aggregatets baksida ovanför mitten av aggregatet. Den måste sitta minst 15 cm från bastuns tak.
- Aggregatgivaren ska monteras så att den inte påverkas av inströmmande luft.

Genomför följande steg för att montera aggregatgivaren (se **Bild3**):

1. Dra de båda 2-poliga aggregatgivarledningarna genom bastuväggen till aggregatgivarens monteringsplats och fixera ledningen med kabelklämmor.
2. Sära på halvskalen 1 till aggregatgivaren.
3. Kläm fast de fyra anslutningarna på aggregatgivarledningarna 5 enligt **Bild3**.
4. Lägg anslutningsplattan 2 på tvären (enligt **Bild3**) i aggregatgivarens halvskal.
5. Stäng halvskalen och fixera med de båda stjärnskruvarna 3 (9 mm) och kontrollera att aggregatgivaren sitter fast ordentligt.
6. Montera aggregatgivaren på aggregatets baksida med de båda bifogade träskruvarna 6 (16 mm).



- 1 Aggregatgivarens halvskal
- 2 Anslutningsplatta
- 3 Stjärnskruvar (9 mm)
- 4 Aggregatgivare
- 5 Kablar till aggregatgivare
- 6 Träskruvar (16 mm)

Bild3 Montering av ugnsgivare

4.3. Montera bänkgivare F2 (tillval)

Bänkgivaren ska monteras på bastuväggen ovanför den bakre bastubänken. Den måste sitta minst 15 cm från bastuns tak.

Genomför följande steg för att montera bänkgivaren:

1. Dra den 2-poliga bänkgivarledningen genom bastuväggen till bänkgivarens monteringsplats och fixera ledningen med kabelklämmor.
2. Sära på halvskalen till bänkgivaren.
3. Kläm fast bänkgivarledningarnas båda anslutningar på anslutningsplattans båda mellersta klämmor.
4. Lägg anslutningsplattan på tvären i bänkgivarens halvskal.
5. Stäng halvskalen och fixera med de båda stjärnskruvarna (9 mm).
6. Kontrollera att bänkgivaren sitter fast ordentligt.
7. Montera bänkgivaren på bastuväggen med de båda bifogade träskruvarna (16 mm). Avståndet till bastuns tak ska vara minst 15 cm.

4.4. Montera fukt-temperaturgivaren FTS2 (tillval, endast PRO C3)

Fukt-temperaturgivaren ska monteras på bastuväggen ovanför den bakre bastubänken. Avståndet till bastuns tak ska vara minst 15 cm.

Genomför följande steg för att montera fukt-temperaturgivaren:

1. Dra den 5-poliga fukt-temperaturgivarledningen genom bastuväggen till fukt-temperaturgivarens monteringsplats och fixera ledningen med kabelklämmor.
2. Montera fukt-temperaturgivaren på bastuväggen med de båda bifogade träskruvarna (16 mm). Avståndet till bastuns tak ska vara minst 15 cm.

4.5. Montera foliegivare (tillval)

Om en infraröd värmeplatta ansluts till extrautgången måste foliegivaren P-ISX-FF användas.

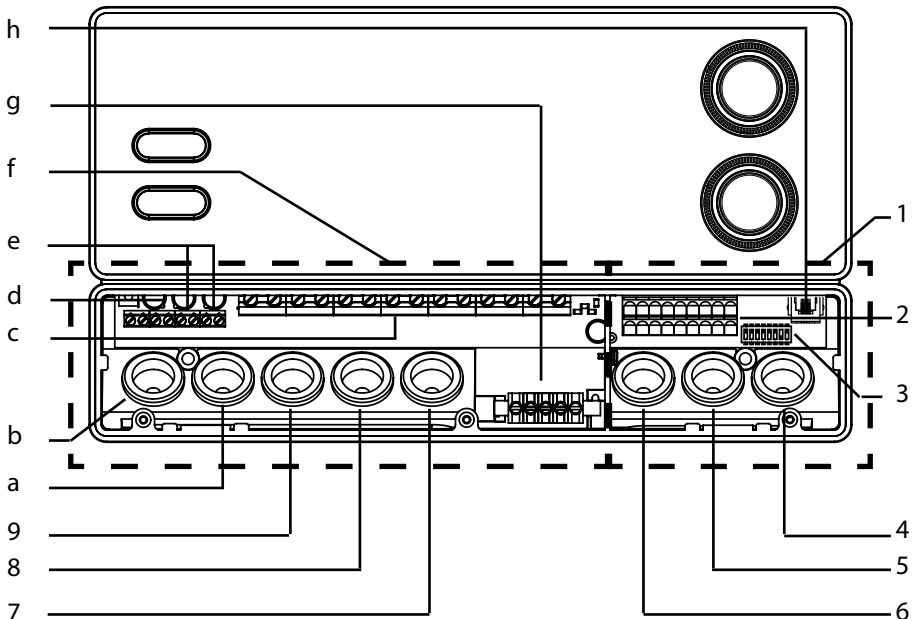
- Observera värmeplattatillverkarens bruksanvisning vid montering av foliegivaren.
- Användningen av en foliegivare måste aktiveras i Teknikermenyn (se **8.2. Inställningar i Teknikermenyn** på sidan **26**).

5. Elanslutning

OBS!

Skador på enheten

- Bastystyrenheten får endast användas för att styra och reglera 3 värmekretsar med en värmeeffekt på max. 3,5 kW per värmekrets. Max. förångareffekt (endast PRO C3) är 3,5 kW. Max. effekt på extrautgången är 3,5 kW.



- 1 Anslutningsområde för lågspänning
- 2 Kopplingsplint för säkerhetsavstängning, fjärrstart, statusutgång och givarledning
- 3 Funktionsomkopplare
- 4 Kabelhål för F2-, FTS2- och foliegivare
- 5 Kabelgenomföring för F1-givare och statusutgång
- 6 Kabelgenomföring för säkerhetsavstängning och fjärrstart
- 7 Kabelgenomföring för förångarledning och extrautgång

- 8 Kabelgenomföring för aggregatledning
- 9 Kabelgenomföring för försörjningsledning
- a Kabelhål för effektförstärkning
- b Kabelhål för belysning och fläkt
- c Kopplingsplint för aggregat, förångare, försörjningsledning och extra apparat
- d Kopplingsplint för belysning och fläkt
- e Kopplingsplint för effektförstärkning
- f Anslutningsområde för 230 V/400 V
- g Jordledning
- h Rj45-uttag för RS-485 och MySentio Wifi

Observera följande punkter vid elektrisk anslutning av bastustyrenheten:

- Montering/installation får endast utföras av elektriker.



Observera: Vid garantianspråk ska en kopia på fakturan från den elektriker som har utfört arbetet bifogas.

- Arbeten på bastustyrenheten får endast genomföras i spänningslöst tillstånd.
- Den elektriska anslutningen måste vara en fast anslutning.
- På plats ska en allpolig fränkskiljare med komplett avstängning enligt över-spänningskategori III installeras.
- Observera elschemat (**Bild4**) på sidan **23**.

5.1. Ansluta försörjningsledning, aggregat och förångare

1. Dra försörjningsledningen, aggregat- och förångarledningen (endast PRO C3) genom hålen 9, 8, 7 till anslutningsområdet för 230 V/400 V f.
2. Anslut ledningen enligt elschemat på kopplingsplinten c . Observera bruksanvisningen till respektive apparat.
3. Om förångaren inte har automatisk indikering för vattenbrist ska dessutom följande steg genomföras:
 - Anslut den bifogade trådbygeln från klämma "V1" till klämma "Wm".

sv

5.2. Ansluta belysning

1. Dra belysningsledningen genom hålet b till anslutningsområdet för 230 V/400 V f.
2. Anslut belysningsledningen enligt elschemat på kopplingsplinten d. Observera bruksanvisningen till respektive apparat.

5.3. Ansluta fläkt (tillval)

1. Dra fläktledningen genom hålet b till anslutningsområdet för 230 V/400 V f.
2. Anslut fläktledningen enligt elschemat på kopplingsplinten d. Observera bruksanvisningen till respektive apparat.

5.4. Ansluta extra utgång (tillval)

Extrautgången kan t.ex användas för infraröd-lampor eller infraröd-värmeplattor.

1. Dra ledningen för extraapparat genom hålen 7 till anslutningsområdet för 230 V/400 V f.
2. Anslut ledningen enligt elschemat på kopplingsplinten c. Observera bruksanvisningen och säkerhetsanvisningarna till respektive apparat.



VARNING!

Brandrisk

Extrautgången har inget övertemperaturskydd. Därför får endast egen-säkra enheter anslutas till extrautgången.

- Infraröda lampor som ansluts till extrautgången måste vara försedda med övertemperaturskydd.
- Om infraröda värmeplattor ansluts till extrautgången måste foliegi-varen P-ISX-FF användas och aktiveras i Teknikermenyn (se **8.2. Inställningar i Teknikermenyn** på sidan **26**).

5.5. Ansluta effektförstärkning (tillval)

1. Dra ledningen för effektförstärkning genom hålet a till anslutningsområdet för 230 V/400 V f.
2. Anslut ledningen för effektförstärkning enligt elschemat på kopplingsplinten e. Använd klämma "ST1" för säkerhetskretsen och klämma "ST2" för styrkretsen. Observera bruksanvisningen till respektive apparat.

SV

5.6. Ansluta aggregatgivare F1

1. Dra aggregatgivarens anslutningskabel genom hålet 5 till anslutningsområdet för lågspänning 1.
2. Anslut de röda aggregatgivarledningarna till klämmorna med texten "STB" på kopplingsplinten 2.
3. Anslut de vita aggregatgivarledningarna till klämmorna med texten "F1" på kopplingsplinten 2.

5.7. Ansluta bänkgivare F2 (tillval)

1. Dra bänkgivarens ledningar genom hålet 4 till anslutningsområdet för lågspänning 1.
2. Anslut bänkgivarens ledningar till klämmorna med texten "F2" på kopplingsplinten 2.

5.8. Ansluta fukt-temperaturgivare FTS2 (tillval, endast PRO C3)

1. Dra givarens ledningar genom hålet 4 till anslutningsområdet för lågspänning 1.
2. Anslut temperaturgivarens ledningar till klämmorna med texten "F2" på kopplingsplinten 2.
 - a. den svarta ledningen till den högra klämman.
 - b. den bruna ledningen till den vänstra klämman.
3. Anslut fuktgivarens ledningar till klämmorna med texten "+ S -" på kopplingsplinten 2.
 - c. den gröna ledningen till klämman "+".
 - d. den orangefärgade ledningen till klämman "S".
 - e. den röda ledningen till klämman "-".

5.9. Ansluta foliegivare (tillval)

SV

1. Dra givarens ledningar genom hålet 4 till anslutningsområdet för lågspänning 1.
2. Anslut givarens ledningar till klämmorna med texten "FF" på kopplingslistan 2.

5.10. Ansluta säkerhetsavstängning/dörrsensor

Enligt EN 60335-2-53 får bastustyrenheter med fjärrstyrning endast användas för bastuaggregat som har genomgått och klarat ett övertäckningstest enligt avsnitt 19.101. Alternativt kan en säkerhetsavstängning/dörröppnare installeras. De stänger av aggregatet när föremål (t.ex. en handduk) ligger på aggregatet eller om bastudörren öppnas.

Genomför följande steg för att montera säkerhetsavstängningen:

1. Montera säkerhetsavstängningen enligt apparatens bruksanvisning.
2. Dra säkerhetsavstängningens anslutningskabel genom hålet 6 till anslutningsområdet för lågspänning 1.
3. Anslut ledningarna till klämmorna med texten "**OSG**" på kopplingsplinten 2.



Om ingen säkerhetsavstängning monteras, måste en trådbygel monteras på anslutningarna med texten "**OSG**".

5.11. Fjärrstart

Anslutningen ska göras via klämmorna "**S**", "**B**" och "**C**". "**S**" står för bastudrift och "**C**" för förångardrift. "**B**" är en +24 V DC-utgång. Den måste kopplas via en brytare eller aktuator till anslutningen för önskad drifttyp.

5.12. Statusutgång

Alla förbrukare med en spänning på 24 Volt DC och som inte tar mer än 200 mA ström kan anslutas till klämman för statusutgång. Observera anslutning till korrekt pol. Om en LED-belysning ansluts måste ett lämpligt förkopplingsmotstånd användas.

SV

5.13. Ansluta installationen

1. Anslut försörjningsledningens skyddsledning och alla apparater till jordledningen g.
2. Sätt på locket på den övre randen på anslutningsboxen.
3. Tryck in klämlåsen lätt och tryck ner locket tills det klickar fast.

6. Genomföra kontroller



WARNING!

Följande kontroller genomförs med strömmen påslagen. Risk för strömstötar.

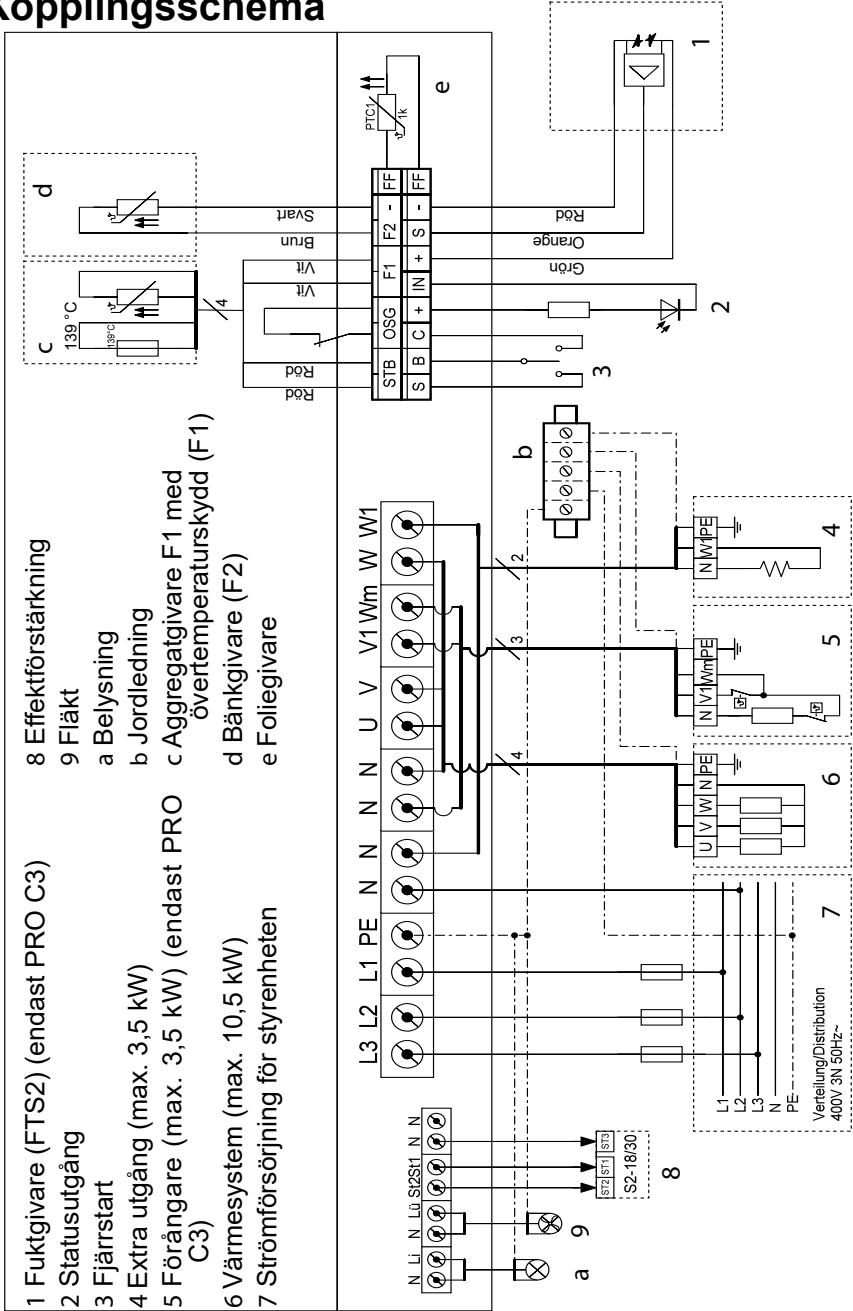
- Vidrör ALDRIG spänningsförande delar.

Följande kontroller måste genomföras av en behörig elektriker.

1. Kontrollera jordledningarnas kontakt på skyddsledaranslutningen.
2. Kontrollera aggregatgivarens F1 övertemperaturskydd.
 - a. Slå på bastustyrenheten.
 - b. Öppna aggregatgivaren och koppla bort en av de två röda givarkablarna.
 - ▶ En återkommande varningssignal ljuder och på den övre displayen visas "Err", på den nedre displayen visas "02".
 - ▶ Styrenheten stänger av aggregatet.
 - c. Stäng av bastustyrenheten.
 - d. Anslut den röda aggregatgivarledningen igen.
 - e. Koppla nu bort en av de vita givarkablarna.
 - f. Slå på bastustyrenheten.
 - ▶ En återkommande varningssignal ljuder och på den övre displayen visas "Err", på den nedre displayen visas "04F1".
 - ▶ Styrenheten stänger av aggregatet.
 - g. Stäng av bastustyrenheten.
 - h. Anslut den vita aggregatgivarledningen igen.
3. Kontrollera fasgenomkopplingen för bastu-driften L1, L2, L3 till U, V, W.
4. På PRO C3: Kontrollera fasgenomkopplingen för förångar-driften L1, L2, L3 till U, V1, W.
5. Kontrollera fasgenomkopplingen från L3 till W1 vid aktivering av apparater till extrautgången.
6. Kontrollera max. tillåten värmeeffekt för bastustyrningen, 3,5 kW för varje fas.
7. Vid alternativ effektförstärkning
 - a. Kontrollera styrledningarna ST1, ST2 och ST3.
 - b. Kontrollera max. tillåten värmeeffekt på effektförstärkningen S2-18, 3 kW på varje fas.
 - c. Kontrollera max. tillåten värmeeffekt för effektförstärkningen S2-30, 7 kW för varje fas.

7. Kopplingschema

Bild4 Kopplingschema



- 1 Fuktgivare (FTS2) (endast PRO C3)
- 2 Statusutgång
- 3 Fjärrstart
- 4 Extra utgång (max. 3,5 kW)
- 5 Förlängare (max. 3,5 kW) (endast PRO C3)
- 6 Värmesystem (max. 10,5 kW)
- 7 Strömförsörjning för styrenheten
- 8 Effektförstärkning
- 9 Fläkt
- a Belysning
- b Jordledning
- c Aggregatgivare F1 med övertemperurskydd (F1)
- d Bänkgivare (F2)
- e Foliegivare

8. Driftstart

8.1. Ställa in funktionsomkopplare

Olika produktfunktioner kan aktiveras via funktionsomkopplaren i anslutningsområdet för lågspänning. Bilden till höger visar standardinställningen på funktionsomkopplaren.

Observera att styrningen måste stängas av i 10 sek. efter ändringar för att kunna spara inställningar.

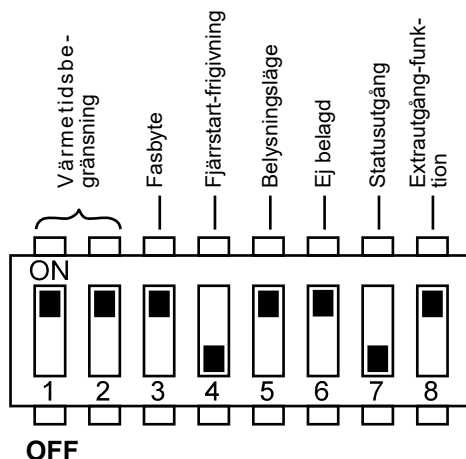


Bild5 Funktionsomkopplare - standardinställning

Ställa in värmetidsbegränsning

SV

Max. uppvärmningstid är som standard inställd till 6 h. Styrenheten stängs av automatiskt när max. uppvärmningstid har löpt ut.

Funktionsomkopplaren i anslutningsområdet för lågspänning kan användas för att ställa in max. uppvärmningstid till 12 h, 18 h eller 24 h. Information om hur funktionsomkopplaren ska ställas in för detta hittar du i tabellen till höger.

Funktionsomkopplare	1	2
6 h	ON	ON
12 h	OFF	ON
18 h	ON	OFF
24 h	OFF	OFF



EN 60335-2-53 definierar en tidsgräns för uppvärmning på 6 h för privata bastur. För bastur i hotell, flerfamiljshus och liknande platser kan en tidsgräns för uppvärmning på 12 h tillämpas. Endast för offentliga bastur kan tidsgränsen för uppvärmning förlängas till 18 h eller 24 h.

Aktivera/avaktivera separat fasstyrning

Separat fasstyrning aktiveras/avaktiveras via funktionsomkopplaren **3**.

- Som standardinställning står funktionsomkopplaren **3** i ON-läge. Separat fasstyrning är därmed aktiverat.
- Om man vill avaktivera separat fasstyrning ska funktionsomkopplaren **3** ställas i OFF-läge.

Fjärrstart-frigivning

Med hjälp av funktionsomkopplaren **4** kan man välja funktionen Fjärrstartsutgång (observera EN60335-2-53).

- Som standardinställning står funktionsomkopplaren **4** i OFF-läge. Fjärrstarten aktiveras med hjälp av "Standby för fjärrstyrning".
- Om du vill aktivera fjärrstartsutgången för olika enheter (som t.ex. myntkastet, fjärrstartsystemet, dörrövervakningen) ställer du funktionsomkopplaren **4** i ON-läge.

Ställa in belysningsfunktion

Belysningen kan regleras eller aktiveras/avaktiveras. Regleringsfunktionen aktiveras/avaktiveras via funktionsomkopplaren **5**.

- Som standardinställning står funktionsomkopplaren **5** i ON-läge. Regleringsfunktionen är därmed aktiverad.
 - ▶ För att ändra regleringskurvan, se punkt "**Ändra belysningens regleringskurva**" på sidan **29**.
- Om man vill avaktivera regleringsfunktionen på belysningen ska funktionsomkopplaren **5** ställas i OFF-läge.

Statusutgång

Med hjälp av funktionsomkopplaren **7** kan man fastställa om statusutgången är aktiverad under bastudriften eller eftertorkningsprogrammet. Aktiveringen under eftertorkningsprogrammet gör det möjligt att automatiskt tömma förångaren på kombiaggregat med auto-refill-funktion.

- Som standardinställning står funktionsomkopplaren **7** i OFF-läge. Statusutgången är därmed aktiverad under bastudriften.
- Om man vill avaktivera statusutgången under eftertorkningsprogrammet ska funktionsomkopplaren **7** ställas i ON-läge.

Ställa in driftläge på extrautgången

Extrautgången kan regleras eller aktiveras/avaktiveras. Regleringsfunktionen aktiveras/avaktiveras via funktionsomkopplaren **8**.

- Som standardinställning står funktionsomkopplaren **8** i ON-läge. Regleringsfunktionen är därmed aktiverad.
- Om man vill avaktivera regleringsfunktionen på extrautgången ska funktionsomkopplaren **8** ställas i OFF-läge.

8.2. Inställningar i Teknikermenyn

Öppna Teknikermenyn

I Teknikermenyn kan fler inställningar göras. Gör som följande för att komma till Teknikermenyn:

1. Stäng av bastustyrenheten.
2. Tryck samtidigt på den nedre vridknappen och på PÅ-/AV-knappen.
 - ▶ På den övre displayen visas kort "SEtt".
 - ▶ De båda vridknapparna blinkar.



Inställningarna sparas automatiskt när du stänger Teknikermenyn (se **Stänga Teknikermenyn** på **sidan 30**).

SV

Aktivera drift med en givare

Vid drift med en givare drivs styrenheten endast med aggregatgivaren med övertemperaturskydd (F1-givare). Som standard är drift med två givare aktiverad. Om du vill aktivera drift med en givare, genomför följande steg:

1. Öppna Teknikermenyn (se **26**).
2. Vrid den övre vridknappen till temperatursymbolen (position **A** – se punkt **9.2** på sidan **31**).
 - ▶ Temperatursymbolen blinkar.
 - ▶ På den övre displayen visas "SEnB".
 - ▶ På den nedre displayen visas "On".
("On" betyder att drift med två givare är aktiverad.)
3. Vrid den nedre vridknappen åt vänster.
 - ▶ På den nedre displayen visas "OFF".
 - ▶ Drift med en givare är aktiverad.

Visa aggregattemperatur i drift med en givare

I drift med en givare visar styrenheten som standard bara avsedd temperatur. Är-temperatur visas inte. När styrenheten ska visa temperaturen över aggregatet i drift med en givare (F1-givare) som är-temperatur, måste detta aktiveras i Teknikermenyn.

1. Öppna Teknikermenyn (se sidan **26**)
2. Aktivera drift med en givare (se sidan **26**).
 - ▶ På den övre displayen visas nu "SEnB".
 - ▶ På den nedre displayen visas nu "OFF".
3. Tryck på den nedre vridknappen.
 - ▶ På den övre displayen visas "dISP".
 - ▶ På den nedre displayen visas "SET" (endast börtemperatur visas i drift med en givare.)
4. Vrid den nedre vridknappen åt vänster.
 - ▶ På den nedre displayen visas "SEnS" (aggregattemperaturen (F1-givare) visas i drift med en givare som är-temperatur)

Sänka högsta temperatur till 105 °C

Som standard kan börtemperaturen ställas in mellan 30 °C och 110 °C. Gör som följande för att sänka den högsta temperaturen från 110 °C till 105 °C:

1. Öppna Teknikermenyn (se **26**).
2. Vrid den övre vridknappen till temperatursymbolen (position **A** – se punkt **9.2** på sidan).
 - ▶ Temperatursymbolen blinkar.
 - ▶ På den övre displayen visas "SEnB".
3. Tryck flera gånger på den nedre vridknappen tills "tHl" visas på den övre displayen.
 - ▶ På den nedre displayen visas "110".
4. Vrid den nedre vridknappen åt vänster.
 - ▶ På den nedre displayen visas "105" (högsta temperatur inställd till 105 °C)

Aktivera samtidig visning av temperatur och fuktvärde

För att aktivera samtidig visning av temperatur och fukt, utför följande steg:

1. Öppna Teknikermenyn (se **26**).

2. Vrid den övre vridknappen till temperatursymbolen (position **A** – se punkt **9.2** på sidan **31**).
 - ▶ Temperatursymbolen blinkar.
 - ▶ På den övre displayen visas "SEnB".
3. Tryck flera gånger på den nedre vridknappen tills "ISt2" visas på den övre displayen.
4. Vrid den nedre vridknappen åt vänster eller höger för att aktivera resp. avaktivera funktionen.

Aktivera fristående förångardrift (endast PRO C3)

Från fabrik kan man endast ta förångaren i drift tillsammans med värmesystemet. För att driva förångaren fristående utan värmesystem, måste denna funktion aktiveras. Gör på följande sätt:

1. Öppna Teknikermenyn (se **26**).
2. Vrid den övre vridknappen till fuktsymbolen (position **B** – se punkt **9.2** på sidan **31**).
 - ▶ Fuktsymbolen blinkar.
 - ▶ På den övre displayen visas "SIn".
 - ▶ På den nedre displayen visas "OFF". (Avaktiverad förångardrift.)
3. Vrid den nedre vridknappen åt höger.
 - ▶ På den nedre displayen visas "On". (Aktiverad förångardrift.)

Ställa in eftertorkningsprogrammets löptid (endast PRO C3)

Eftertorkningsprogrammets maximala löptid är som standard inställd på 30 min. Genomför följande steg om du vill ändra denna inställning:

1. Öppna Teknikermenyn (se **26**).
2. Vrid den övre vridknappen till fuktsymbolen (position **B**)
 - ▶ Fuktsymbolen blinkar.
 - ▶ På den övre displayen visas "SIn".
3. Tryck på den nedre vridknappen.
 - ▶ På den nedre displayen visas "t30".
4. Vrid den nedre vridknappen (alternativ 0–60; 0 = eftertorkningsprogrammet avstängt; 60 = maximal löptid i minuter)

Aktivera/avaktivera foliegivare

Om infraröda värmeplattor ansluts till extrautgången måste foliegivaren P-ISX-FF användas. Foliegivaren måste aktiveras. Gör på följande sätt:

1. Öppna Teknikermenyn (se **26**).
2. Vrid den övre vridknappen till extrautgångssymbolen (position **C** – se punkt **9.2** på sidan **31**).
 - ▶ Extrautgångssymbolen tänds.
 - ▶ På den övre displayen visas "SEnF".
 - ▶ På den nedre displayen visas "OFF". (avaktiverad foliegivare)
3. Vrid den nedre vridknappen åt höger.
 - ▶ På den nedre displayen visas "On". (aktiverad foliegivare)

Ändra belysningens regleringskurva

Eftersom glödlampor och lysdioder reagerar olika på regleringsfunktionen, kan man välja regleringskurvan i enlighet med vilket belysningssystem som används.

1. Öppna Teknikermenyn (se **26**).
2. Vrid den övre vridknappen till belysningssymbolen (position **D** – se punkt **9.2** på sidan **31**).
 - ▶ Belysningssymbolen tänds.
 - ▶ På den övre displayen visas "tYPe".
 - ▶ På den nedre displayen visas "BULB".
("BULB" innebär att regleringsskurvan för glödlampor är aktiverad.)
3. Vrid den nedre vridknappen åt vänster.
 - ▶ På den nedre displayen visas "LED".
("LED" innebär att regleringsskurvan för lysdioder är aktiverad.)

Ställa in driftfunktion på fläkten

Fläkten kan regleras eller aktiveras/avaktiveras. Som standard kan fläkten regleras. Om du vill aktivera fläktens regleringsfunktion, genomför följande steg:

1. Öppna Teknikermenyn (se **26**).
2. Vrid den övre vridknappen till fläktsymbolen (position **E** – se punkt **9.2** på sidan **31**).
 - ▶ Fläktsymbolen tänds.
 - ▶ På den övre displayen visas "FAn".
 - ▶ På den nedre displayen visas "On".
("On" betyder att regleringsfunktionen är aktiverad.)

3. Vrid den nedre vridknappen åt vänster.
 - ▶ På den nedre displayen visas "OFF".
 - ▶ Som standard är fläktens regleringsfunktion avaktiverad.

Aktivera säkerhetsavstängning/dörrsensor

Som standard är säkerhetsavstängningen aktiverad. Om du vill aktivera funktionen dörröppnare, genomför följande steg:

1. Öppna Teknikermenyn (se **26**).
2. Vrid den övre vridknappen till fjärrstartssymbolen (position **J** – se punkt **9.2** på sidan **31**).
 - ▶ Fjärrstartssymbolen blinkar.
 - ▶ På den övre displayen visas "SdO".
 - ▶ På den nedre displayen visas "SAFE".
3. Vrid den nedre vridknappen åt höger.
 - ▶ På den nedre displayen visas "door".
 - ▶ Dörrsensorn är aktiverad.

Kontrollera programvaruversion

För att kontrollera styrenhetens programvaruversion, utför följande steg:

1. Öppna Teknikermenyn (se **26**).
2. Vrid den övre vridknappen till Eco-symbolen (position **I** – se punkt **9.2** på sidan **31**).
 - ▶ På den övre displayen visas programvaruversionen "5.00.5".

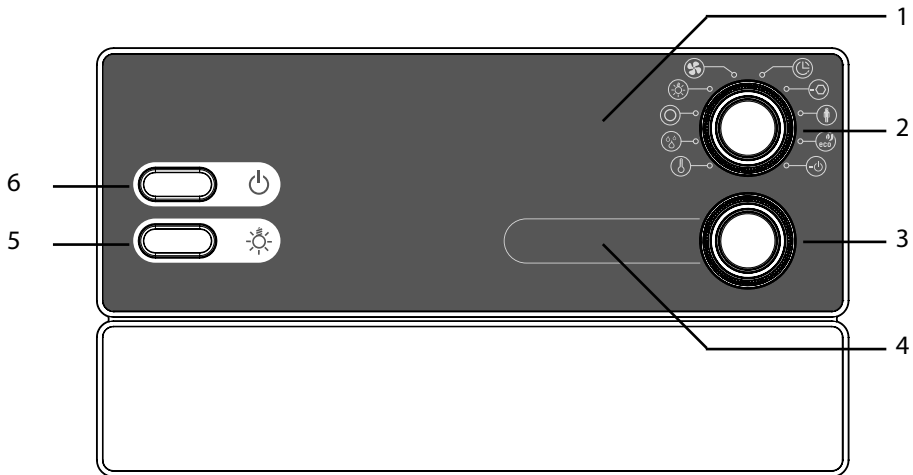
SV

Stänga Teknikermenyn

- Tryck på den nedre vridknappen och håll den nedtryckt en sekund.
 - ▶ Den nedre vridknappen slutar att blinka.
 - ▶ Den övre vridknappen tänds
 - ▶ Teknikermenyn har stängts.
 - ▶ Dina inställningar har sparats.

9. Kontrollelement/display

9.1. Beteckning över manöverreglage



1 Extradisplay

2 Funktionsväljare

3 Intensitetsväljare

4 Intensitetsdisplay

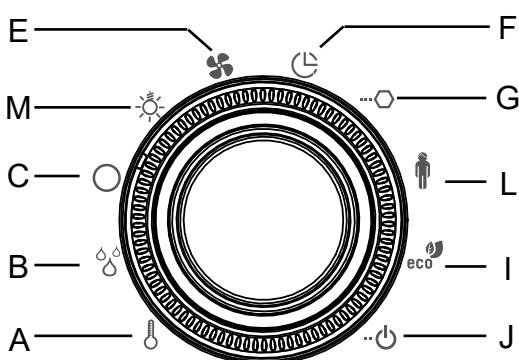
5 Belysningsknapp

6 PÅ/AV-knapp

SV

9.2. Funktionsväljaren

Med funktionsväljaren 2 bestämmer du vilken funktion som ska ändras med intensitetsväljaren 3. Funktionsväljaren 2 tänds när styrenheten slås på.



A Temperatur

B Fukt (endast PRO C3)

C Extraitgång

D Belysning

E Fläkt

F Timer

G Löptid

H Användarprogram

I Eco-funktion

J Fjärrstart

9.3. Intensitetsväljaren

Med intensitetsväljaren 3 ändrar du intensiteten resp. effekten på den funktion som har valts på funktionsväljaren 2.

- Vrid intensitetsväljaren 3 åt höger för att höja effekten.
- Vrid intensitetsväljaren 3 åt vänster för att sänka effekten.

När du trycker på intensitetsväljaren 3 startar den funktion som har valts på funktionsväljaren 2.

- Intensitetsväljaren 3 tänds när den funktion som har valts på funktionsväljaren 2 är aktiverad.

10. Användning

10.1. Slå på belysningen

Belysningen i bastun kan slås på/stängas av oberoende av PÅ/AV-knappen 6.

- Tryck på belysningsknappen 5 för att slå på och stänga av belysningen.



När belysningsknappen 5 är påslagen lyser bastubelysningen alltid med full effekt. Om du vill använda intensitetsväljaren 3 för att dimma belysningen, stäng av belysningsknappen 5.

SV

10.2. Slå på styrenheten

- Tryck på PÅ-/AV-knappen 6 för att slå på styrenheten.
 - ▶ Funktionsväljaren 2 tänds.



Grundläggande användning

1. Vrid funktionsväljaren 2 till den funktion (bastu, fukt, belysning, fläkt, extrautgång) som du vill starta.
2. Använd intensitetsväljaren 3 för att välja intensitet på funktionen.
3. Tryck på intensitetsväljaren 3 för att starta eller stänga av funktionen.



När du stänger av bastuaggregatet (temperaturfunktion **A**) stängs även förångaren (fuktfunktion **B**) av automatiskt.

10.3. Starta bastudriften

**WARNING!****Brandrisk**

Brännbara föremål som ligger på det varma bastuaggregatet kan antändas och orsaka eldsvåda.

- Lägg **ALDRIG** brännbara föremål på bastuaggregatet.
- Kontrollera att det **INTE** finns några brännbara föremål på bastuaggregatet innan bastustyrenheten slås på.

1. Vrid funktionsväljaren 2 till position **A** (temperatur).
 - ▶ Temperatursymbolen tänds.
2. Ställ in önskad temperatur med intensitetsväljaren 3.
3. Tryck på intensitetsväljaren 3.
 - ▶ Bastuaggregatet slås på och påbörjar uppvärmningen.
 - ▶ Intensitetsväljaren 3 tänds.
 - ▶ På intensitetsdisplayen 4 visas den aktuella temperaturen i kabinen. I drift med en givare visas börtemperaturen.

10.4. Starta kombidrift (endast PRO C3)

1. Vrid funktionsväljaren 2 till position **A** (temperatur).
 - ▶ Temperatursymbolen tänds.
2. Ställ in önskad temperatur med intensitetsväljaren 3.
3. Tryck på intensitetsväljaren 3.
 - ▶ Bastuaggregatet slås på och påbörjar uppvärmningen.
 - ▶ Intensitetsväljaren 3 tänds.
 - ▶ På intensitetsdisplayen 4 visas den aktuella temperaturen i kabinen. I drift med en givare visas börtemperaturen.
4. Vrid funktionsväljaren 2 till position **B** (fukt).
 - ▶ Fuktsymbolen tänds.
 - ▶ Lampan på intensitetsväljaren 3 slocknar.
5. Ställ in önskad fukthalt med intensitetsväljaren 3.

6. Tryck på intensitetsväljaren 3.
 - ▶ Förångaren slås på.
 - ▶ Intensitetsväljaren 3 tänds.
 - ▶ På intensitetsdisplayen 4 visas den aktuella fukthalten i kabinen. Om ingen fuktgivare har installerats visas bör-fukthalt.



Förångaren (fuktfunktion **B**) går bara att starta om bastuaggregatet (temperaturfunktion **A**) är påslaget. Max. inställningsbar fuktighet beror på bastutemperaturen. Ju högre bastutemperatur, desto lägre max. inställningsbart fuktvärde.

Undantag: Fristående förångardrift är aktiverad (se ”**8.2. Inställningar i Teknikermenyn**” på sidan 26). Här kan man ta förångaren i drift även utan bastuaggregatet. Dock beror max. fukthalt på den aktuella bastutemperaturen.



Om bastustyrenheten används utan fukt-temperaturgivaren (FTS2) är cykeldrift aktiverad. Om bastutemperaturen är lägre än 30 °C är förångaren aktiverad under 10 minuter. Detta sørjer för att vattnet i tanken når en grundtemperatur. Därefter påbörjas taktdriften.

10.5. Starta extrautgång

SV

På bastustyrenhetens extrautgång kan t.ex. infraröda lampor eller infraröda värmeplattor anslutas.



VARNING! **Brandrisk**

Brännbara föremål som ligger på eller framför den infraröda lampan kan antändas och orsaka eldsvåda.

- Lägg **ALDRIG** brännbara föremål på eller framför den infraröda lampan.
- Kontrollera att det **INTE** finns några brännbara föremål på eller framför den infraröda lampan innan du slår på den.

2 olika driftlägen kan användas för extrautgången:

1. **Intensitetsreglering**
2. **Rumstemperaturreglering**

För att växla mellan de båda driftlägena, utför följande steg:

1. Vrid funktionsväljaren 2 till position **C** (extrautgång).
 - ▶ Extrautgångssymbolen tänds.
 - ▶ På intensitetsindikatorn 4 visas ett intensitetsvärde eller en temperatur beroende på driftläget.
2. Tryck på den nedre vridknappen och håll den nedtryckt i tre sekunder (Longpress).
 - ▶ På den övre displayen visas kort inställt driftläge:
 - Display: "**StEP**" – extrautgången befinner sig i **intensitetsreglering**.
 - Display: "**tE**" – extrautgången befinner sig i **rumstemperaturreglering**.

Intensitetsreglering vid aktiverad regleringsfunktion

Om regleringsfunktionen på extrautgången är aktiverad kan du ställa in extraapparatens effekt i steg mellan 0 och 7. 0 innebär att extraapparatens effekt är avslagen. 7 innebär max. effekt.

1. Vrid funktionsväljaren 2 till position **C** (extrautgång).
 - ▶ Extrautgångssymbolen tänds.
2. Ställ in extraapparatens effekt med intensitetsväljaren 3.
3. Tryck på intensitetsväljaren 3.
 - ▶ Extraapparatens effekt slås på.
 - ▶ Intensitetsväljaren 3 tänds.

SV

Intensitetsreglering vid avstängd regleringsfunktion

När regleringsfunktionen på extrautgången är avstängd kan extraapparatens effekt endast slås på och stängas av. Apparatens effekt körs alltid på full effekt.

1. Vrid funktionsväljaren 2 till position **C** (extrautgång).
 - ▶ Extrautgångssymbolen tänds.
 - ▶ På intensitetsdisplayen visas "OFF".
2. Tryck på intensitetsväljaren 3.
 - ▶ Extraapparatens effekt slås på.
 - ▶ Intensitetsväljaren 3 tänds.
 - ▶ På intensitetsdisplayen visas "On".

Extrautgångens rumstemperaturreglering

Om extrautgångens driftläge har ställts in på rumstemperaturreglering kan man ställa in en bastutemperatur som kan regleras via extrautgången. Detta kan användas för att helt reglera bastutemperaturen via infraröd lampor/infraröda värmeplattor.

Inställningsmöjligheter:

- Infraröd lampa (utan foliegivare): 30–70 °C
- Infraröda värmeplattor (med foliegivare): 30–50 °C



Om bastuaggregatet redan är aktiverat/om bastuaggregatet dessutom startas, kan man inte reglera extrautgångens temperatur. Driftläget ändras automatiskt till intensitetsreglering och extrautgången fortsätter att gå på högsta nivån.

10.6. Slå på belysningen

Vid aktiverad regleringsfunktion

Om regleringsfunktion till belysningen är aktiverad kan lampan regleras från steg 0 till steg 100. 0 innebär att belysningen är avslagen. Värdet 100 innebär max. effekt.

1. Vrid funktionsväljaren 2 till position **D** (belysning).
 - ▶ Belysningssymbolen tänds.
2. Ställ in önskad ljuseffekt med intensitetsväljaren 3.
3. Tryck på intensitetsväljaren 3.
 - ▶ Belysningen tänds.

Intensitetsväljaren 3 tänds.

SV



När belysningsknappen 5 är påslagen lyser bastubelysningen alltid med full effekt. Om du vill använda intensitetsväljaren 3 för att dimma belysningen, stäng av belysningsknappen 5.

Vid avaktiverad regleringsfunktion

När regleringsfunktionen till belysningen är avaktiverad kan belysningen endast tändas och släckas. Belysningen lyser alltid med full effekt.

1. Vrid funktionsväljaren 2 till position **D** (belysning).
 - ▶ Belysningssymbolen tänds.
 - ▶ På intensitetsdisplayen visas "OFF".
2. Tryck på intensitetsreglaget 3.
 - ▶ Belysningen tänds.
 - ▶ Intensitetsväljaren 3 tänds.
 - ▶ På intensitetsdisplayen visas "On".

10.7. Starta fläkt

Vid aktiverad regleringsfunktion

Om regleringsfunktionen för fläkten är aktiverad kan du ställa in fläktens effekt i steg mellan 0 och 100. 0 innebär att fläkten är avslagen. Värdet 100 innebär max. effekt.

1. Vrid funktionsväljaren 2 till position **E** (fläkt).
 - ▶ Fläktsymbolen tänds.
2. Ställ in önskad fläkteffekt med intensitetsväljaren 3.
3. Tryck på intensitetsväljaren 3.
 - ▶ Fläkten slås på.
 - ▶ Intensitetsväljaren 3 tänds.

Vid avaktiverad regleringsfunktion

När regleringsfunktionen till fläkten är avaktiverad kan fläkten endast slås på och stängas av. Apparaten körs alltid på full effekt.

1. Vrid funktionsväljaren 2 till position **E** (fläkt).
 - ▶ Fläktsymbolen tänds.
 - ▶ På intensitetsdisplayen visas "OFF".
2. Tryck på intensitetsreglaget 3.
 - ▶ Fläkten slås på.
 - ▶ Intensitetsväljaren 3 tänds.
 - ▶ På intensitetsdisplayen visas "On".

SV

10.8. Ställa in timer

Du kan ställa in timern i steg om en minut. Max. timer är 24 timmar. Den inställda tiden i timern visas i timmar och minuter. Till exempel visas 8 timmar och 15 minuter som 8.15.



VARNING! **Brandrisk**

Brännbara föremål som ligger på det varma bastuaggregatet kan antändas och orsaka eldsvåda.

- Lagg **ALDRIG** brännbara föremål på bastuaggregatet.
- Kontrollera att det **INTE** finns några brännbara föremål på bastuaggregatet innan du aktiverar timerfunktionen.

1. Starta de funktioner som ska startas efter att den inställda tiden på timern löpt ut.
2. Vrid funktionsväljaren 2 till position **F** (tid på timer).
 - ▶ På intensitetsdisplayen 4 visas den senast inställda tiden på timern.
3. Ställ in önskad tid på timern med intensitetsväljaren 3.
4. Tryck på intensitetsväljaren 3.
 - ▶ Styrenheten övergår till standby-läge och timern går.
 - ▶ På intensitetsdisplayen 4 visas återstående tid.
 - ▶ Timersymbolen blinkar.
 - ▶ Intensitetsväljaren 3 tänds.
 - ▶ När den förinställda tiden har gått ut startas de valda funktionerna.

10.9. Avbryta timerfunktion

- Tryck på intensitetsväljaren 3, för att avbryta timerfunktionen.
 - ▶ Den inställda tiden på timern avbryts.
 - ▶ Timersymbolen lyser konstant.

10.10. Ställa in löptid

Redan när bastun startas kan du ställa in hur länge den ska vara igång. Max. uppvärmningstid (t.ex. 6 h för privata bastur) får inte överskridas. Löptiden visas i timmar och minuter. Till exempel visas 3 timmar och 15 minuter som 3.15.

1. Vrid funktionsväljaren 2 till position **G** (löptid).
 - ▶ På intensitetsdisplayen 4 visas den senast inställda löptiden.
2. Ställ in önskad löptid med intensitetsväljaren 3.
3. Tryck på den nedre vridknappen och håll den nedtryckt i tre sekunder (Longpress) för att spara löptiden permanent.
 - ▶ Den nedre vridknappen tänds 4 gånger – inställningen är sparad.



- Tryck på intensitetsväljaren 3 och vrid den samtidigt.
 - ▶ Timertiden resp. löptiden ändras i steg om en timme.

10.11. Aktivera standby för fjärrstyrning

Enligt EN 60335-2-53 måste bastustyrenheter manuellt ställas in på driftläget "Standby för fjärrstyrning" med hjälp av fjärrstartfunktion.



Denna aktivering måste utföras på nytt efter varje fjärrstart och fjärrstopp.

Vid aktiverad säkerhetsavstängning (standard)

Gör på följande sätt:

1. Vrid funktionsväljaren 2 till position **J** (fjärrstart).
 - ▶ På intensitetsdisplayen 4 visas "oFF".
2. Tryck på det nedre vridreglaget för att aktivera driftläget "Standby för fjärrstyrning".
 - ▶ På intensitetsdisplayen 4 visas "on" och fjärrstartssymbolen börjar blinka.
 - ▶ Bastustyrenheten är nu redo för att kunna startas och stoppas via fjärrstartsignal.
 - ▶ Efter fjärrstart eller fjärrstopp slocknar indikeringen fjärrstartssymbolen. Driftsättet måste därefter aktiveras på nytt.

Vid aktiverad dörrsensor

Gör på följande sätt:

1. Vrid funktionsväljaren 2 till position **J** (fjärrstart).
 - ▶ På intensitetsdisplayen 4 visas "oFF".
2. Tryck på det nedre vridreglaget för att aktivera driftläget "Standby för fjärrstyrning".
 - ▶ På intensitetsdisplayen 4 visas nedräkningen från 30 sek. Dörren kan öppnas/stängas så ofta som man vill under den här tiden. Dörren måste vara stängd efter nedräkningen!
 - ▶ På intensitetsdisplayen 4 visas "rc" och fjärrstartssymbolen börjar blinka.
 - ▶ Styrenheten är nu redo för att kunna startas och stoppas via fjärrstartsignal (= läget "Standby för fjärrstyrning")
 - ▶ Efter fjärrstart eller fjärrstopp slocknar indikeringen fjärrstartssymbolen. Driftsättet måste därefter aktiveras på nytt.

Dörren öppnas – på displayen visas varningen "door"

– i läget "Standby för fjärrstyrning":

För att fortsätta med läget måste dörren stängas och det nedre vridreglaget tryckas in två gånger.

▶ På displayen visas åter nedräkningen (30Sek.).

– under pågående drift eller frigiven fjärrstartsutgång (för myntinkast eller dörrsensormsystem):

Kvitteringen sker automatiskt när dörren stängs.

10.12. Ändra börvärden

Under drift kan du när som helst ändra de inställda börvärdena.

1. Vrid funktionsväljaren 2 till den funktion som du vill ändra.
2. Ställ in önskat börvärde med intensitetsväljaren 3.

10.13. Avbryta eftertorkningsprogram

Efter kombidriften startas eftertorkningsprogrammet automatiskt. Med fläkten igång värms bastun upp till 80 °C. (Standard = 30 minuter – beroende på inställning i Teknikermenyn). På intensitetsdisplayen 4 visas texten "dry" och temperatursymbolen blinkar.

- Tryck på intensitetsväljaren 3 i tre sekunder (Longpress) för att avbryta eftertorkningsprogrammet.

SV



För att förhindra att mögel och röta bildas bör eftertorkningsprogrammet INTE avbrytas.

10.14. Stänga av styrenheten

- Tryck på PÅ-/AV-knappen 6 för att stänga av styrenheten.
 - ▶ Lamporna på funktionsväljaren 2 och på intensitetsväljaren samt intensitetsdisplayen slocknar.
 - ▶ Styrenheten är avstängd.

11. Användarprogram

Med användarprogrammen kan man lagra och öppna bastuinställningar. 5 förinställda användarprogram, som kan ändras av användaren, står till förfogande.

Inställningar av följande funktioner lagras i användarprogrammen:

- Temperatur
- Fukt (endast PRO C3)
- Extrautgång (intensitets- eller rumstemperturreglering)
- Belysning
- Fläkt
- Körtid

11.1. Förinställda användarprogram

Följande användarprogram har redan fördefinierats.

Användarprogram	Temperatur °C	Fukthalt %	Extrautgång	Belysning %	Fläkt %	Körtid Tim
1	90	0	0	50	0	2
2	70	0	0	50	0	2
3	50	60	0	50	0	2
4	60	35	0	50	0	2
5	30	0	7	50	0	1

SV

Öppna användarprogram

1. Vrid funktionsväljaren 2 till position **H** (användarprogram).
 - ▶ Användarsymbolen tänds.
2. Välj användarprogram (1–5) med intensitetsreglaget 3.
3. Tryck på intensitetsväljaren 3.
 - ▶ Användarprogrammet startas.
 - ▶ Intensitetsväljaren 3 tänds.

11.2. Skapa egna användarprogram

Du kan skapa användarprogram som är anpassade efter dina önskemål. När detta görs skrivs ett förinställt användarprogram över. Gör på följande sätt:

1. Starta alla funktioner som ska startas med användarprogrammet, med önskad intensitet.
2. Vrid funktionsväljaren 2 till position **H** (användarprogram).
 - ▶ Användarsymbolen tänds.
3. Använd intensitetsreglaget 3 och välj under vilket nummer (1–5) det nya användarprogrammet ska sparas.
4. Tryck på intensitetsväljaren 3 i tre sekunder (Longpress).
 - ▶ Intensitetsväljaren blinkar.
 - ▶ Inställningarna sparades i det valda användarprogrammet.

Exempel

Användarprogram	Temperatur °C	Fukthalt %	Extrautgång	Belysning %	Fläkt %	Körtid Tim
2	45	55	0	50	0	3

12. Eco-funktionen

Med Eko-funktion kan du spara energi mellan bastubaden. När Eco-funktionen är aktiverad körs de anslutna apparaterna med reducerad effekt. Du kan välja en 20-, 40- eller 60-minuters paustid.

Bastuaggregatet och förångaren slås på igen innan slutet av pausen. Det innebär att börstemperaturen och den inställda fukthalten har uppnåtts igen när paustiden löpt ut.

Gör som följande för att aktivera Eco-funktionen:

1. Vrid funktionsväljaren 2 till position **I** (Eco-funktion).
 - ▶ Eco-symbolen tänds.
2. Ställ in önskad paustid med intensitetsväljaren 3.
 - E20 innebär 20 minuters paus.
 - E40 innebär 40 minuters paus.
 - E60 innebär 60 minuters paus.
3. Tryck på intensitetsväljaren 3.
 - ▶ Intensitetsväljaren 3 tänds.
 - ▶ På extradisplayen 1 visas om hur många minuter bastuaggregatet slås på för att börstemperaturen ska vara uppnådd när paustiden är slut.

13. Rengöring och underhåll

13.1. Rengöring

VARNING!

Skador på enheten

Bastustyrenheten är skyddad mot stänkvatten, men apparaten kan skadas vid direkt kontakt med vatten.

- Doppa ALDRIG apparaten i vatten.
- Häll ALDRIG vatten över apparaten.
- Rengör inte apparaten med för mycket vatten.

1. Doppa en trasa i mild tvållösning.
2. Vrid ur trasan ordentligt.
3. Torka försiktigt av bastustyrenhetens hölje.

13.2. Underhåll

Bastustyrenheten är underhållsfri.

14. Avfallshantering



- Ta hand om förpackningsmaterialet enligt gällande bestämmelser.
- Enheterna innehåller både återanvändbart material och skadliga ämnen. Släng inte en uttjänt produkt i hushållssoporna, utan lämna den till återvinning enligt gällande bestämmelser.

15. Problemlösning

15.1. Felmeddelanden

Bastustyrenheten är utrustad med diagnosmjukvara som kontrollerar systemet vid start och under drift. När diagnosmjukvaran registrerar ett fel stänger bastustyrenheten av bastuaggregatet.

Vid fel ljuder en återkommande varningssignal och funktionsväljaren 2 och intensitetsväljaren 3 blinkar. På extradisplayen 1 visas texten "Err". På intensitetsdisplayen 4 visas felnumret.

Stäng av bastustyrenheten med PÅ/AV-knappen 6 och åtgärda felet innan bastustyrenheten slås på igen.

Följande tabell beskriver möjliga fel och deras orsak. Vid behov, informera kundtjänsten om felnumret.

<i>Fel</i>	<i>Beskrivning</i>	<i>Orsak/åtgärd</i>
01	Säkerhetsavstängning	Ett föremål ligger på aggregatet. Ta bort föremålet innan aggregatet tas i drift igen. Om ingen säkerhetsavstängning har monterats, se punkt 5.10. på sidan 21.
02	Övertemperaturskydd	Den maximala temperaturen på 139 °C ovanför aggregatet överskreds.
04F1	Fel på aggregatgivaren	Defekt aggregatgivare, dålig kontakt eller kortslutning
05	Fel på filmgivaren	Defekt foliegivare, dålig kontakt eller kortslutning
06F2	Fel på bänkgivaren	Defekt bänkgivare, dålig kontakt eller kortslutning
07	Fel på fuktgivaren	Defekt fuktgivare, dålig kontakt eller kortslutning
08	Filmgivare- övertemperatur	Max. folietemperatur på 100 °C har överskridits.
door	Bastudörr öppen	Bastustyrenheten är ansluten till en dörsensor. Stäng dörren eller kontrollera anslutningarna och inställningarna.

15.2. Indikering för vattenbrist (endast PRO C3)

I kombidrift har styrenheten en automatisk avstängning för vattenbrist, såvida kombiaggregatet understöder detta.

Om förångarens vattentank är tom signaleras detta med en återkommande varningssignal och texten "FILL" visas på extradisplayen 1. Samtidigt stängs förångaren av.

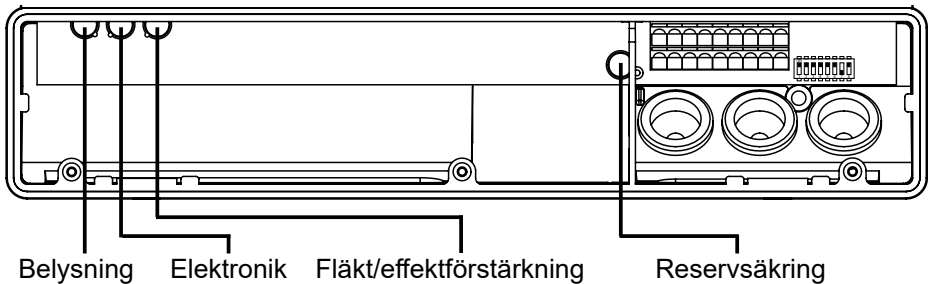
- Fyll på vatten i förångarens vattenbehållare.
 - ▶ Efter en kort tid slocknar texten "FILL" och förångaren påbörjar återigen uppvärmningen.

15.3. Säkringar

I styrenhetens anslutningsområde sitter säkringar för belysning, fläkt/effektförstärkning och elektronik samt en extrasäkring.

Det rör sig här om 1 A tröga mikrosäkringar.

Dessa kan beställas med artikelnummer PRO-FUSE.



SV

För att byta säkringen, dra ut säkringsinsatsen rakt ut och sätt i den nya säkringen.

16. Tekniska data

Omgivningsförhållanden

Förvaringstemperatur:	-25 °C till +70 °C
Omgivningstemperatur:	-10 °C till +40 °C
Luftfuktighet:	Max. 95 %

Bastustyrenhet

Mått:	307 x 175 x 57 mm
Brytspänning/trefas 3N:	400 V AC
Frekvens:	50 Hz
Bryteffekt/värmeapparat:	3 x 3,5 kW
Brytström per fas/värmeapparat:	16 A
Bryteffekt/förångare:	3,5 kW
Brytström/förångare:	16 A
Bryteffekt/extrautgång (reglerbar)*	500 W
Bryteffekt/extrautgång (brytbar)*	3,5 kW
Brytström/extrautgång:	16 A
Statusutgång:	24 V/200 mA
Märkspänning:	230 V
Skyddsklass (stänkvattenskyddad):	IPX4
Anslutning till elnätet som fast anslutning	

SV

Belysning

Bryteffekt:	100 W
Säkring:	1A T

Fläkt

Bryteffekt:	100 W
Säkring:	1A T

Inställningsområde

Temperatur:	30 °C till 110 °C
Fuktighet:	0 % till 100 %

Max. inställningsbar fuktighet beror på bastutemperaturen. Ju högre bastutemperatur, desto lägre max. inställningsbart fuktvärde.

* Extrautgången har inget övertemperaturskydd. Därför får endast egensäkra enheter anslutas till extrautgången.

Termisk säkerhet

Aggregatgivare med övertemperaturskydd (139 °C avstängningstemperatur)
Automatisk tidsgräns för uppvärmning kan ställas in (6 h, 12 h, 18 h, 24 h)*
Drift med en eller två givare

Anslutningskablar

Elkabel:	Min. 5 x 2,5 mm ²
Ledning till aggregatet (temperaturbeständig upp till 150 °C):	Min. 2,5 mm ²
Ledningar till givare (temperaturbeständiga upp till 150 °C):	Min. 0,5 mm ²
Belysningskabel:	Min. 1,5 mm ²
Fläktledning:	Min. 1,5 mm ²

Harvia PRO C

HARVIA

Sauna & Spa

Comando della sauna

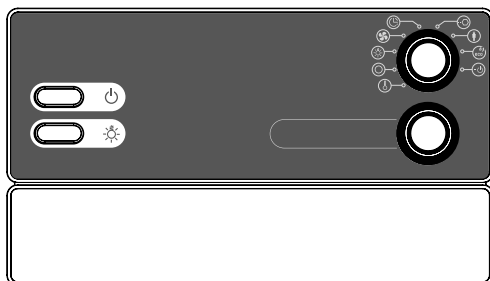
Istruzioni d'uso e di montaggio

Let's sauna.

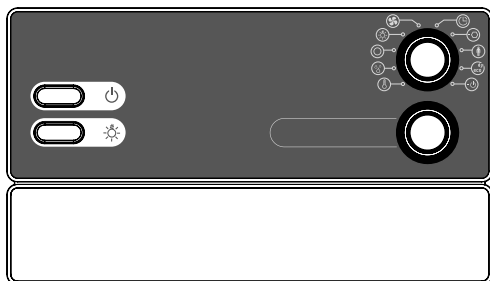
N. articolo

PRO-C2 1-015-448

PRO-C3 1-015-451



PRO-C2



PRO-C3



IT

Indice

1. Informazioni sul presente manuale	5
2. Importanti indicazioni per la sicurezza personale	6
2.1. Conformità d'uso	6
2.2. Indicazioni di sicurezza per l'installatore	7
2.3. Indicazioni di sicurezza per l'utilizzatore	8
3. Descrizione del prodotto	9
3.1. Dotazione	9
3.2. Accessori opzionali	9
3.3. Funzioni del prodotto	9
3.4. Modalità di funzionamento della sauna	11
3.5. Modalità di funzionamento con sensori	11
4. Montaggio	13
4.1. Montaggio del comando della sauna	13
4.2. Montaggio del sensore della stufa F1 con fusibile termico di protezione	15
4.3. Montaggio del sensore della panca F2 (opzionale)	16
4.4. Montaggio del sensore di temperatura e di umidità FTS2 (opzionale, solo PRO C3)	16
4.5. Montaggio del sensore a membrana (opzionale)	16
5. Collegamento elettrico	17
5.1. Collegamento del cavo di alimentazione, del cavo della stufa e del cavo dell'evaporatore	18
5.2. Collegamento del cavo della luce	18
5.3. Collegamento del ventilatore (opzionale)	18
5.4. Collegamento dell'uscita supplementare (opzionale)	19
5.5. Collegamento dell'ampliamento della potenza (opzionale)	19
5.6. Collegamento del sensore della stufa F1	19
5.7. Collegamento del sensore della panca F2 (opzionale)	20
5.8. Collegamento del sensore di temperatura e umidità FTS2 (opzionale, solo PRO C3)	20

5.9.	Collegamento del sensore a membrana (opzionale).....	20
5.10.	Collegamento del dispositivo di sicurezza per lo spegnimento automatico / sensore porta.....	21
5.11.	Avvio remoto.....	21
5.12.	Uscita di stato.....	21
5.13.	Conclusione dell'installazione.....	21
6.	Esecuzione delle prove	22
7.	Schema di collegamento	23
8.	Messa in funzione	24
8.1.	Impostazione del selettore di funzioni.....	24
8.2.	Impostazioni nel menu per il personale tecnico.....	26
9.	Elementi di comando	31
9.1.	Denominazione degli elementi di comando.....	31
9.2.	Il selettore di funzioni.....	31
9.3.	Selettore di intensità.....	32
10.	Utilizzo	32
10.1.	Attivazione della luce.....	32
10.2.	Accensione del comando della sauna.....	32
10.3.	Avvio del funzionamento della sauna.....	33
10.4.	Avvio del funzionamento combinato (solo PRO C3).....	33
10.5.	Avvio dell'uscita supplementare.....	34
10.6.	Attivazione della luce.....	36
10.7.	Avvio del ventilatore.....	37
10.8.	Impostazione della preselezione oraria.....	37
10.9.	Annullamento della funzione di preselezione oraria.....	38
10.10.	Impostazione del tempo di funzionamento.....	38
10.11.	Attivazione Stand-by per telecomando.....	39

10.12.Modifica dei valori nominali.....	40
10.13.Interruzione del programma di asciugatura successiva.....	40
10.14.Spegnimento del comando della sauna.....	40

11.Programmi utente..... **41**

11.1. Programmi utente preimpostati.....	41
11.2. Creazione di programmi utente individuali.....	41

12.La funzione Eco..... **42**

13.Pulizia e manutenzione..... **43**

13.1. Pulizia.....	43
13.2. Manutenzione.....	43

14.Smaltimento..... **43**

15.Risoluzione dei problemi..... **44**

15.1. Messaggi di errore.....	44
15.2. Indicazione di mancanza d'acqua (solo PRO C3).....	45
15.3. Fusibili.....	45

16.Specifiche tecniche..... **46**

1. Informazioni sul presente manuale

Leggere dettagliatamente le presenti istruzioni di montaggio e d'uso e conservarle in prossimità della sauna. Così facendo è possibile controllare in ogni momento le informazioni sulla sicurezza e sull'utilizzo.



Le presenti istruzioni di montaggio e d'uso si trovano anche nell'area di download della nostra pagina web all'indirizzo: www.mediabank.harvia.com

Simboli nelle avvertenze

Nelle presenti istruzioni di montaggio e d'uso, prima di ogni attività che genera un pericolo è applicata un'avvertenza. Osservare sempre queste avvertenze. Così facendo, si evitano danni a beni materiali e lesioni che, nel peggiore dei casi, possono essere addirittura mortali.

Nelle avvertenze vengono utilizzati pittogrammi che hanno i seguenti significati:



PERICOLO!

L'inosservanza di questa avvertenza può causare lesioni gravi o addirittura mortali.



AVVERTENZA!

L'inosservanza di questa avvertenza può causare lesioni gravi o addirittura mortali.



ATTENZIONE!

L'inosservanza di questa avvertenza può causare lesioni lievi.

ATTENZIONE!

Questo pittogramma avverte della possibilità di danni a beni materiali.

Altri simboli



Questo simbolo indica consigli e indicazioni utili.

2. Importanti indicazioni per la sicurezza personale

Il comando della sauna PRO C2 / PRO C3 è costruito secondo le regole di sicurezza tecnica riconosciute. Tuttavia, durante l'utilizzo possono presentarsi pericoli. Osservare pertanto le seguenti indicazioni di sicurezza e le avvertenze speciali riportate nei singoli capitoli. Osservare anche le indicazioni di sicurezza degli apparecchi collegati.

2.1. Conformità d'uso

Il comando della sauna PRO C2 / PRO C3 serve esclusivamente per comandare e regolare le funzioni in base ai dati tecnici.

Il comando della sauna PRO C2 / PRO C3 può essere utilizzato esclusivamente per il comando e la regolazione di una stufa per sauna omologata secondo la prova di copertura della stufa ai sensi della direttiva EN 60335-2-53 paragrafo 19.101. Se la stufa non soddisfa questo requisito, devono essere prese le opportune misure di sicurezza (ad es.: disinserimento di sicurezza / dispositivo di apertura porta, vedi **5.10** a pagina **21**).

IT

Il comando della sauna PRO C2 / PRO C3 può essere impiegato esclusivamente per il comando e la regolazione di 3 circuiti termici con una potenza termica max di 3,5 kW per circuito. La potenza max dell'uscita supplementare corrisponde a 3,5 kW. La potenza massima dell'evaporatore (solo per PRO C3) è di 3,5 kW.

Qualsiasi altro utilizzo è considerato improprio. Un utilizzo improprio può causare danni al prodotto e lesioni gravi o mortali.

2.2. Indicazioni di sicurezza per l'installatore

- Il montaggio deve essere eseguito solo da elettricisti o da persone con una qualifica simile.
- I lavori da effettuare sul comando della sauna devono essere eseguiti solo in assenza di tensione.
- Per l'installazione, predisporre sul posto un dispositivo di separazione su tutti i poli con disinnesto totale corrispondente alla categoria di sovratensione III.
- Montare il comando della sauna all'esterno della cabina, a un'altezza di ca. 1,70 m o conformemente alle indicazioni del produttore della cabina. La temperatura ambiente deve essere compresa fra -10 °C e +40 °C.
- Installare il sensore della stufa in modo che il suo funzionamento non venga condizionato dall'aria in ingresso.
- La linea di alimentazione della stufa deve avere una sezione pari ad almeno 2,5 mm² e deve essere resistente fino a una temperatura di 150 °C.
- Osservare anche le disposizioni locali valide sul luogo di installazione.
- Qualora si presentassero problemi non trattati in modo esaustivo nelle presenti istruzioni di montaggio, per la vostra sicurezza vi preghiamo di rivolgervi al vostro fornitore.

2.3. Indicazioni di sicurezza per l'utilizzatore

- Il comando della sauna non deve essere utilizzato da bambini di età inferiore agli 8 anni.
- Il comando della sauna può essere utilizzato da bambini sopra gli 8 anni di età, da persone con capacità fisiche, sensoriali o mentali limitate o prive della sufficiente esperienza e del know-how necessari nei seguenti casi:
 - se sono in presenza di persone responsabili per loro,
 - se è stato spiegato loro come utilizzare l'apparecchio in modo sicuro e sono chiari i pericoli che ne possono derivare.
- Ai bambini non è permesso giocare con il comando della sauna.
- I bambini al di sotto dei 14 anni possono pulire il comando della sauna solo in presenza di adulti.
- Se si è sotto l'effetto di alcol, medicinali o droghe, per motivi di salute evitare l'uso della sauna.
- Prima di accendere il comando della sauna, assicurarsi che sulla stufa per sauna non si trovino oggetti infiammabili.
- Prima di attivare la funzione dell'orario di preselezione o la modalità stand-by per l'avvio remoto, assicurarsi che sulla stufa non siano presenti oggetti infiammabili.
- Prima di accendere il comando della sauna, assicurarsi che davanti o sull'irradiatore a raggi infrarossi non si trovino oggetti infiammabili.
- Prima di attivare la funzione dell'orario di preselezione o la modalità stand-by per l'avvio remoto, assicurarsi che davanti o sull'irradiatore a raggi infrarossi non siano presenti oggetti infiammabili.
- Qualora si presentassero problemi non trattati in modo esaustivo nelle istruzioni per l'uso, per la vostra sicurezza, vi preghiamo di rivolgervi al vostro fornitore.

3. Descrizione del prodotto

3.1. Dotazione

- Comando della sauna
- Sensore della stufa con fusibile termico di protezione integrato
- Materiale di montaggio

3.2. Accessori opzionali

- Sensore della panca (1-009-231 / O-F2)
- Sensore di temperatura e di umidità (1-010-081 / O-FTS2)
- Sensore a membrana (1-014-445 / P-ISX-FF)
- Ampliamento della potenza (1-008-779 / O-S2-18, 1-009-280 / O-S2-30)
- Interruttore di disinserimento (SFE-xxxxx)
- Sensore porta Home (1-052-723 / SAB00103)
- MySentio Wifi (1-053-313 / S-WIFI01)
- MySentio Remote (1-053-314 / S-WIFI02)

3.3. Funzioni del prodotto

Il comando della sauna Pro C2 dispone delle seguenti funzioni:

- Regolazione di stufe per sauna fino a 10,5 kW in un intervallo di temperatura compreso fra 30 °C e 110 °C.
- Grazie all'ampliamento della potenza, il potere di rottura massimo può essere aumentato da 10,5 kW a 18/30 kW.
- Regolazione dell'intensità o attivazione a scelta di una luce all'interno della cabina (fino a 100 W)
- Regolazione o attivazione a scelta di un ventilatore (fino a 100 W)
- Funzione di avvio remoto
- Sistema di monitoraggio della porta
- Uscita di stato
- Funzione di preselezione oraria (fino a 24 ore)
- Limitazione automatica del tempo di riscaldamento
Per motivi di sicurezza, il comando della sauna si disattiva automaticamente una volta superato il tempo di riscaldamento massimo. Il tempo di riscaldamento massimo può essere impostato a 6 h, 12 h, 18 h o 24 h.

- Uscita supplementare
A scelta, regolazione dell'intensità (fino a 500 W), attivazione (fino a 3,5 kW) o regolazione della temperatura della cabina tramite l'uscita supplementare.

L'uscita supplementare è priva del fusibile termico di protezione. Per questo motivo all'uscita supplementare devono essere collegati soltanto i dispositivi a sicurezza intrinseca.
 - Se all'uscita supplementare vengono collegati irradiatori a raggi infrarossi, essi devono essere dotati di un fusibile termico di protezione. Consigliamo l'impiego dei seguenti irradiatori a raggi infrarossi:
 - DIR-350-R, WIR-350-R, DIR-500-R, WIR-500-R, DIR-750-R, WIR-750-R, DIR-1300-R, WIR-1300-R
 - ECO-350-R, ECO-350-G, ECO-500-R, ECO-500-G, ECO-750-R
 - Se all'uscita supplementare viene collegato uno dei seguenti pannelli radianti a infrarossi, deve essere impiegato il sensore a membrana P-ISX-FF e attivato nel menu per il personale tecnico (vedi **8.2. Impostazioni nel menu per il personale tecnico** a pagina **26**):
 - IR-WP-100, IR-WP-175, IR-WP-390, IR-WP-510
 - IR-WPHL-100, IR-WPHL-175, IR-WPHL-390, IR-WPHL-510
- Programmi utente
Utilizzando i programmi utente è possibile memorizzare e richiamare nuovamente le impostazioni della sauna preferite. Sono disponibili 5 programmi utente preimpostati che l'utente può modificare a suo piacimento.
- Programma di asciugatura successiva
Dopo il funzionamento combinato viene avviato automaticamente il programma di asciugatura successiva per impedire la formazione di muffe nella cabina della sauna. In questo modo la cabina della sauna viene riscaldata per 30 minuti a 80 °C a ventilatore attivato.
- Fusibile termico di protezione
Il fusibile termico di protezione è installato nell'alloggiamento del sensore della stufa. Se dopo che è stata raggiunta la temperatura desiderata, la stufa per sauna continua a riscaldare a causa di un guasto, il fusibile termico di protezione disattiva automaticamente la stufa quando vengono raggiunti i 139 °C.

PRO C3

Funzioni disponibili come PRO C2, ma in via aggiuntiva:

- Regolazione di stufe combinate fino a una potenza termica di 10,5 kW e fino a una potenza dell'evaporatore di 3,5 kW in un intervallo di temperatura compreso fra 30 °C e 110 °C e in un intervallo di umidità compreso fra 5 e 100%.

- Programma di asciugatura successiva
Dopo il funzionamento combinato viene avviato automaticamente il programma di asciugatura successiva per impedire la formazione di muffe nella cabina della sauna. In questo modo la cabina della sauna viene riscaldata a 80 °C a ventilatore attivato.
La durata può essere selezionata da OFF a 60 minuti.

3.4. Modalità di funzionamento della sauna

Il comando della sauna PRO B2 consente di far funzionare la sauna. Il comando della sauna Pro C3 consente due modalità di funzionamento: funzionamento sauna e funzionamento combinato.

Funzionamento della sauna

Durante il funzionamento della sauna è presente aria calda e secca. La temperatura nella cabina è elevata (80-100 °C). Il livello di umidità è basso e corrisponde al massimo al 10%.

Funzionamento combinato

Nel funzionamento combinato oltre alla stufa per sauna è in funzione anche l'e-vaporatore. La temperatura nella cabina della sauna è inferiore (ca. 40 - 65 °C) rispetto a quella durante il funzionamento della sauna, mentre l'umidità relativa dell'aria è decisamente maggiore, con valori compresi fra il 35% e il 70%. Il valore nominale massimo impostabile per l'umidità dipende comunque dalla temperatura presente nella sauna. Maggiore è la temperatura della sauna, minore sarà il valore massimo impostabile per l'umidità (vedi **curva caratteristica a pag. 12**)

3.5. Modalità di funzionamento con sensori

Il comando della sauna può essere fatto funzionare con uno o due sensori. Come secondo sensore può essere utilizzato un sensore di temperatura (sensore della panca, F2) o un sensore di temperatura e umidità (FTS2).

Funzionamento a un sensore (F1)

Il funzionamento con un sensore deve essere attivato nel menu personale tecnico (vedi **8.2. Impostazioni nel menu per il personale tecnico a pagina 26**).

Nel funzionamento con un sensore, il comando della sauna viene fatto funzionare solo insieme al sensore della stufa con fusibile termico di protezione (F1). Questo sensore è incluso nella dotazione.

Nel funzionamento a un sensore, il comando della sauna di serie visualizza solamente la temperatura nominale. La temperatura effettiva non viene visualizzata. Se il comando della sauna, nel funzionamento con un sensore, deve visualizzare la temperatura sopra la stufa (sensore F1) come temperatura effettiva, attivare questa impostazione al momento della messa in funzione (vedi **8.2. Impostazioni nel menu per il personale tecnico a pagina 26**).

Nel funzionamento con un sensore, il valore massimo impostabile per l'umidità è legato alla temperatura presente sopra la stufa e l'umidità è regolata a tempo. Nel display del comando della sauna viene visualizzato solamente il valore nominale relativo all'umidità (umidità relativa dell'aria in valore percentuale). Nella modalità con umidità temporizzata, l'umidità effettiva presente nella cabina della sauna è legata alle dimensioni della cabina e alla potenza dell'evaporatore e può differire dal valore nominale impostato.

Funzionamento con due sensori con l'impiego del sensore della panca (F2)

Il funzionamento a due sensori è attivato come impostazione predefinita.

Nel funzionamento a due sensori con il sensore della panca, sulla panca posteriore della sauna viene montato un secondo sensore della temperatura (sensore della panca). Il comando della sauna visualizza come temperatura effettiva la temperatura misurata dal sensore della panca.

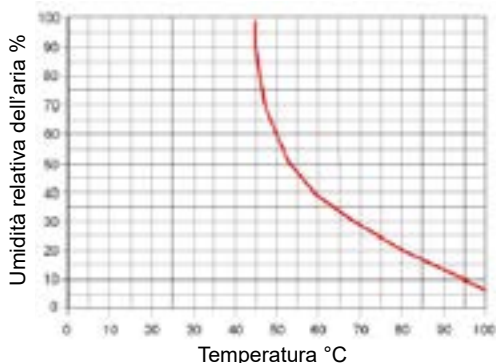
Nel funzionamento a due sensori con il sensore della panca, l'umidità viene regolata a tempo. Nel display del comando della sauna viene visualizzato solamente il valore nominale relativo all'umidità (umidità relativa dell'aria in valore percentuale). Nella modalità con umidità temporizzata, l'umidità effettiva presente nella cabina della sauna è legata alle dimensioni della cabina e alla potenza dell'evaporatore e può differire dal valore nominale impostato.

Funzionamento con due sensori con l'impiego del sensore di temperatura e di umidità (F2S2)

Il funzionamento a due sensori è attivato come impostazione predefinita.

Se nel funzionamento con due sensori viene impiegato il sensore di temperatura e di umidità, il comando della sauna visualizza come temperatura effettiva la temperatura misurata da questo sensore.

Nel funzionamento con due sensori, con impiego del sensore di temperatura e umidità, l'evaporatore è regolato in base all'umidità misurata all'interno della cabina. Nel display del comando della sauna viene visualizzato solamente il valore effettivo relativo all'umidità presente nella cabina della sauna (umidità relativa dell'aria in valore percentuale).



4. Montaggio

4.1. Montaggio del comando della sauna

ATTENZIONE!***Danni all'apparecchio***

Il comando della sauna è protetto dagli spruzzi d'acqua, tuttavia il contatto diretto con l'acqua può danneggiare l'apparecchio.

- Montare il comando della sauna in un luogo asciutto, con un'umidità massima dell'aria non superiore al 95%.

ATTENZIONE!***Fonti di interferenza compromettono la trasmissione dei segnali***

- Posare tutti i cavi dei sensori in modo che siano separati da altri cavi di alimentazione e dai cavi di comando.
- Proteggere i cavi con isolamento singolo con un tubo (doppio isolamento).

Durante il montaggio del comando della sauna osservare i seguenti punti:

- Montare il comando della sauna all'esterno della cabina o conformemente alle indicazioni del produttore della cabina.
- La temperatura ambiente deve essere compresa fra $-10\text{ }^{\circ}\text{C}$ e $+40\text{ }^{\circ}\text{C}$.
- Tutti i sensori possono essere collegati solamente con i rispettivi cavi in dotazione, che sono resistenti fino a una temperatura di $150\text{ }^{\circ}\text{C}$.



I cavi dei sensori possono essere prolungati in presenza delle seguenti condizioni:

- Impiego di un cavo isolato in silicone resistente fino a una temperatura di $150\text{ }^{\circ}\text{C}$.
 - La sezione minima del cavo è di $0,5\text{ mm}^2$.
 - I cavi del sensore della stufa NON devono superare la lunghezza massima di 10 m.
-

Per il montaggio del comando della sauna eseguire i seguenti passaggi:

1. Avvitare due viti con intaglio a croce (16 mm) sulla parete della sauna a un'altezza di ca. 1,70 m e lasciandole fuoriuscire per una distanza max di 7 mm. Entrambe le viti devono essere posizionate a una distanza di 145 mm l'una dall'altra (vedi **Fig.1**).

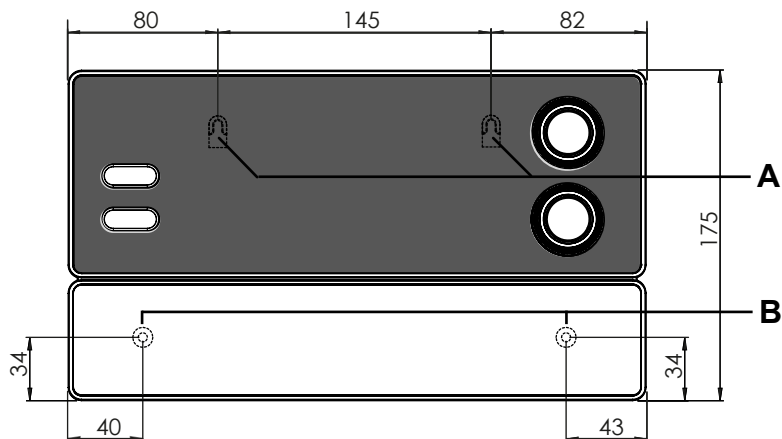


Fig.1 Posizione del dispositivo di sospensione e dei fori di montaggio (misure in mm)

2. Utilizzando un cacciavite, premere leggermente le chiusure a scatto **C** e rimuovere il coperchio dell'alloggiamento (vedi **Fig.2**).
3. Con l'ausilio del dispositivo di sospensione **A**, agganciare il comando della sauna alle viti con intaglio a croce montate (vedi **Fig.1**).
4. Avvitare due viti con intaglio a croce (16 mm) nei fori di fissaggio inferiori **B** (vedi **Fig.1**).

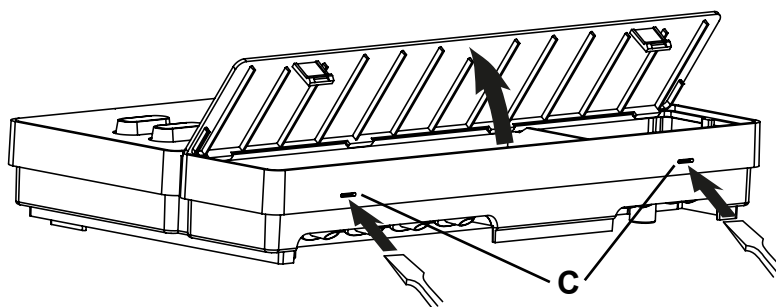


Fig.2 Rimozione del coperchio dell'alloggiamento

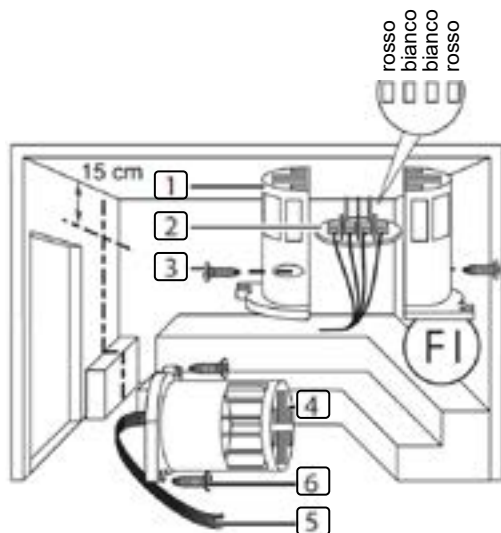
4.2. Montaggio del sensore della stufa F1 con fusibile termico di protezione

Durante il montaggio del sensore della stufa osservare i seguenti punti:

- Montare il sensore sul lato posteriore della stufa, posizionandolo sopra il punto centrale della stufa. Rispettare a riguardo una distanza di ca. 15 cm dal soffitto della cabina.
- Installare il sensore della stufa in modo che il suo funzionamento non venga condizionato dall'aria in ingresso.

Per il montaggio del sensore della stufa eseguire i seguenti passaggi (vedi **Fig.3**):

1. Posare i due cavi a 2 poli del sensore della stufa nella parete della cabina della sauna fino alla posizione di montaggio del sensore della stufa e fissare i cavi con le fascette serracavi.
2. Separare i due semigusci 1 del sensore della stufa.
3. Collegare i 4 pin del cavo del sensore della stufa 5 conformemente alla **Fig.3**.
4. Posizionare la piastra di collegamento 2 in senso trasversale (come indicato nella **Fig.3**) nei semigusci del sensore.
5. Chiudere i semigusci, avvitarli con le due viti con intaglio a croce 3 (9 mm) e controllare se il sensore della stufa è perfettamente chiuso.
6. Montare il sensore della stufa sul lato posteriore della stufa utilizzando le due viti per legno in dotazione 6 (16 mm).



- 1 Semigusci del sensore della stufa
- 2 Piastra di collegamento
- 3 Viti con intaglio a croce (9 mm)
- 4 Sensore della stufa
- 5 Cavi del sensore della stufa
- 6 Viti per legno (16 mm)

Fig.3 Montaggio del sensore della stufa

4.3. Montaggio del sensore della panca F2 (opzionale)

Montare il sensore della panca sulla parete della cabina posizionandolo sopra la panca posteriore. Rispettare a riguardo una distanza di ca. 15 cm dal soffitto della cabina.

Per il montaggio del sensore della panca eseguire i seguenti passaggi:

1. Posare il cavo a 2 poli del sensore della panca nella parete della cabina della sauna fino alla posizione di montaggio dello stesso sensore e fissarne i cavi con le fascette serracavi.
2. Separare i 2 semigusci del sensore della panca.
3. Collegare i due raccordi del cavo del sensore della panca ai due morsetti centrali della piastra di collegamento.
4. Posizionare la piastra di collegamento nei semigusci del sensore della panca in senso trasversale.
5. Chiudere i semigusci e avvitarli con le 2 viti con intaglio a croce (9 mm).
6. Controllare se il sensore della panca è perfettamente chiuso.
7. Montare il sensore della panca sulla parete della cabina utilizzando le 2 viti per legno in dotazione (16 mm). In tal caso rispettare una distanza di 15 cm dal soffitto della cabina.

4.4. Montaggio del sensore di temperatura e di umidità FTS2 (opzionale, solo PRO C3)

Montare il sensore di temperatura e di umidità sulla parete della cabina posizionandolo sopra la panca posteriore, rispettando una distanza di ca. 15 cm dal soffitto della cabina.

Per il montaggio del sensore di temperatura e di umidità eseguire i seguenti passaggi:

1. Posare il cavo a 5 poli del sensore nella parete della cabina della sauna fino alla posizione di montaggio del sensore di temperatura e umidità e fissare i rispettivi cavi con le fascette serracavi.
2. Montare il sensore di temperatura e umidità sulla parete della cabina utilizzando le due viti per legno in dotazione (16 mm). In tal caso rispettare una distanza di 15 cm dal soffitto della cabina.

4.5. Montaggio del sensore a membrana (opzionale)

Se sull'uscita supplementare viene collegato un pannello radiante a infrarossi, utilizzare il sensore a membrana P-ISX-FF.

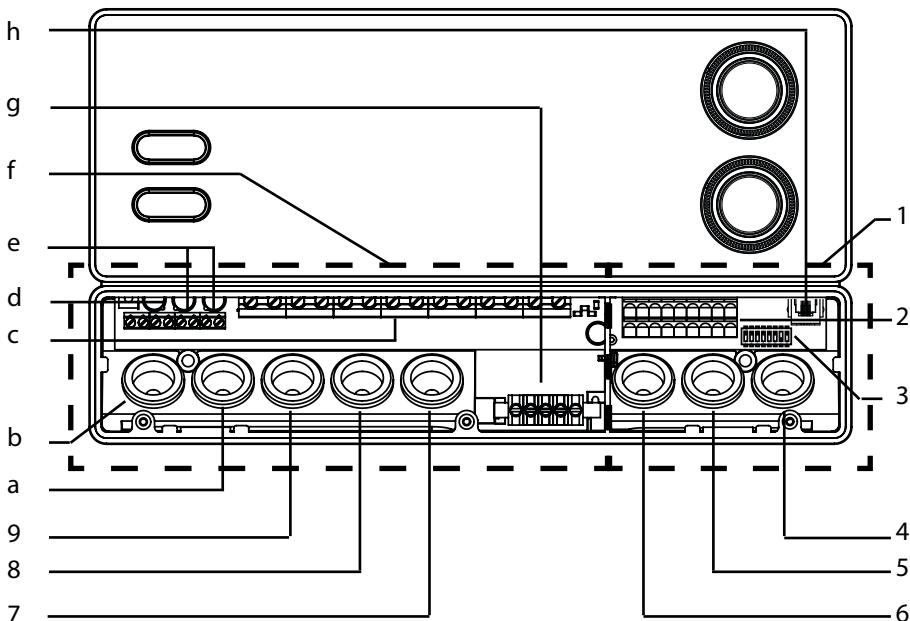
- Per il montaggio del sensore a membrana osservare le istruzioni per l'uso dei pannelli radianti a infrarossi.
- L'impiego di un sensore a membrana deve essere attivato nel menu personale tecnico (vedi **8.2. Impostazioni nel menu per il personale tecnico** a pagina 26).

5. Collegamento elettrico

ATTENZIONE!

Danni all'apparecchio

- Il comando della sauna può essere impiegato esclusivamente per il comando e la regolazione di 3 circuiti termici con una potenza termica max di 3,5 kW per ogni circuito. La potenza massima dell'evaporatore (solo PRO C3) è di 3,5 kW. La potenza max dell'uscita supplementare corrisponde a 3,5 kW.



- 1 Zona di collegamento per la bassa tensione
- 2 Morsettiera per dispositivo di sicurezza per lo spegnimento automatico, avvio remoto, uscita di stato e cavi delle sonde
- 3 Selettore di funzioni
- 4 Passacavo per sensore F2, FTS2 e sensore a membrana
- 5 Passacavo per sensore F1 e uscita di stato
- 6 Passacavo per dispositivo di sicurezza per lo spegnimento automatico e avvio remoto
- 7 Passacavo per potenza evaporatore e uscita supplementare

- 8 Passacavo per il cavo della stufa
- 9 Passacavo per cavo di alimentazione
- a Passacavo per l'ampliamento della potenza
- b Passacavo per luce e ventilatore
- c Morsettiera per cavo della stufa, dell'evaporatore, di alimentazione e dell'apparecchio supplementare
- d Morsettiera per luce e ventilatore
- e Morsettiera per l'ampliamento della potenza
- f Zona di collegamento per l'alimentazione a 230 V / 400 V
- g Barra di messa a terra
- h Boccola RJ45 per RS-485 e MySentio WiFi

Durante il collegamento elettrico del comando della sauna osservare i seguenti punti:

- Il montaggio deve essere eseguito solo da elettricisti o da persone con una qualifica simile.



Prestare attenzione che in caso di richiesta delle prestazioni di garanzia è necessario presentare una copia della fattura rilasciata dalla ditta di elettricisti.

- I lavori da effettuare sul comando della sauna devono essere eseguiti solo in assenza di tensione.
- L'alimentazione elettrica deve essere garantita mediante un collegamento fisso.
- Per l'installazione, predisporre sul posto un dispositivo di separazione su tutti i poli con disinnesco totale corrispondente alla categoria di sovratensione III.
- Osservare lo schema di collegamento (**Fig.4**) a pagina **23**.

5.1. Collegamento del cavo di alimentazione, del cavo della stufa e del cavo dell'evaporatore

1. Far passare il cavo di alimentazione, il cavo della stufa e il cavo dell'evaporatore (solo PRO C3) attraverso i passacavi 9, 8, 7 nella zona di collegamento per 230 V / 400 V f.
2. Collegare i cavi di alimentazione alla morsettiera c secondo lo schema di collegamento. Osservare in tal caso le istruzioni per l'uso dei rispettivi apparecchi.
3. Se l'evaporatore non dispone di un'indicazione di mancanza d'acqua, eseguire anche il seguente passaggio:
 - Utilizzando il ponticello in dotazione, collegare il morsetto "V1" al morsetto "Wm".

5.2. Collegamento del cavo della luce

1. Far passare il cavo della luce attraverso il passacavo b e inserirlo nella zona di collegamento per la tensione a 230 V / 400 V f.
2. Collegare il cavo della luce alla morsettiera d secondo lo schema di collegamento. Osservare in tal caso le istruzioni per l'uso del rispettivo apparecchio.

5.3. Collegamento del ventilatore (opzionale)

1. Far passare il cavo del ventilatore attraverso il passacavo b e inserirlo nella zona di collegamento per la tensione a 230 V / 400 V f.
2. Collegare il cavo del ventilatore alla morsettiera d secondo lo schema di collegamento. Osservare in tal caso le istruzioni per l'uso del rispettivo apparecchio.

5.4. Collegamento dell'uscita supplementare (opzionale)

L'uscita supplementare può essere utilizzata ad esempio per l'irradiatore a raggi infrarossi o i pannelli radianti a infrarossi.

1. Far passare il cavo di alimentazione dell'apparecchio supplementare attraverso i passacavi 7 e inserirlo nella zona di collegamento per la tensione a 230 V / 400 V f.
2. Collegare i cavi di alimentazione alla morsettiera c secondo lo schema di collegamento. Osservare in tal caso le istruzioni per l'uso e le indicazioni di sicurezza del rispettivo apparecchio.



AVVERTENZA!

Pericolo di incendio

L'uscita supplementare non ha il fusibile termico di protezione. Per questo motivo all'uscita supplementare devono essere collegati soltanto i dispositivi a sicurezza intrinseca.

- Se all'uscita supplementare vengono collegati irradiatori a raggi infrarossi, essi devono essere dotati di un fusibile termico di protezione.
- Se all'uscita supplementare vengono collegati pannelli radianti a infrarossi, deve essere impiegato il sensore a membrana P-ISX-FF e attivato nel menu per il personale tecnico (vedi **8.2. Impostazioni nel menu per il personale tecnico** a pagina 26).

5.5. Collegamento dell'ampliamento della potenza (opzionale)

1. Far passare il cavo dell'ampliamento della potenza attraverso il passacavo a e inserirlo nella zona di collegamento per la tensione a 230 V / 400 V f.
2. Collegare il cavo dell'ampliamento della potenza alla morsettiera e secondo lo schema di collegamento. Utilizzare in tal caso il morsetto "**ST1**" per il circuito di sicurezza e il morsetto "**ST2**" per il circuito di comando. Osservare le istruzioni per l'uso del rispettivo apparecchio.

IT

5.6. Collegamento del sensore della stufa F1

1. Far passare i cavi del sensore della stufa attraverso il passacavo 5 e inserirli nella zona di collegamento per la bassa tensione 1.
2. Collegare i cavi rossi del sensore della stufa ai morsetti con la dicitura "**STB**" sulla morsettiera 2.
3. Collegare i cavi bianchi del sensore della stufa ai morsetti con la dicitura "**F1**" sulla morsettiera 2.

5.7. Collegamento del sensore della panca F2 (opzionale)

1. Far passare i cavi del sensore della panca attraverso il passacavo 4 e inserirli nella zona di collegamento per la bassa tensione 1.
2. Collegare i cavi del sensore della panca ai morsetti con la dicitura "F2" sulla morsettiera 2.

5.8. Collegamento del sensore di temperatura e umidità FTS2 (opzionale, solo PRO C3)

1. Far passare i cavi del sensore attraverso il passacavo 4 e inserirli nella zona di collegamento per la bassa tensione 1.
2. Collegare i cavi del sensore di temperatura ai morsetti con la dicitura "F2" sulla morsettiera 2.
 - a. il cavo nero al morsetto destro.
 - b. il cavo marrone al morsetto sinistro.
3. Collegare i cavi del sensore di umidità ai morsetti con la dicitura "+ S -" sulla morsettiera 2.
 - c. il cavo verde al morsetto "+".
 - d. il cavo arancione al morsetto "S".
 - e. il cavo rosso al morsetto "-".

5.9. Collegamento del sensore a membrana (opzionale)

IT

1. Far passare i cavi del sensore attraverso il passacavo 4 e inserirli nella zona di collegamento per la bassa tensione 1.
2. Collegare i cavi del sensore ai morsetti con la dicitura "FF" nella morsettiera 2.

5.10. Collegamento del dispositivo di sicurezza per lo spegnimento automatico / sensore porta

I comandi della sauna dotati di telecomando possono essere utilizzati esclusivamente per il comando e la regolazione di una stufa per sauna omologata secondo la prova di copertura della stufa ai sensi della direttiva EN 60335-2-53 paragrafo 19.101. In alternativa, può essere installato un dispositivo di disinserimento di sicurezza / dispositivo di apertura porta corrispondente, che disattiva la stufa per sauna se su quest'ultima vengono appoggiati oggetti (ad es. un asciugamano) o se viene aperta la porta della sauna.

Per il montaggio del dispositivo di sicurezza per lo spegnimento automatico eseguire i seguenti passaggi:

1. Montare il dispositivo di sicurezza per lo spegnimento automatico conformemente alle istruzioni per l'uso dell'apparecchio.
2. Far passare i cavi del dispositivo di disinserimento di sicurezza attraverso il passacavo 6 e inserirli nella zona di collegamento per la bassa tensione 1.
3. Collegare i cavi ai morsetti con la dicitura "**OSG**" sulla morsettiera 2.



Se non viene montato il dispositivo di disinserimento di sicurezza, nei morsetti deve essere montato un ponticello con la scritta "**OSG**".

5.11. Avvio remoto

Il collegamento avviene attraverso i morsetti "**S**", "**B**" e "**C**". "**S**" indica il funzionamento della sauna e "**C**" il funzionamento dell'evaporatore. "**B**" indica un'uscita +24 V DC. Questa deve essere attivata sul morsetto relativo alla modalità di funzionamento desiderata mediante un interruttore o un attuatore.

IT

5.12. Uscita di stato

È possibile collegare al morsetto per l'uscita di stato qualsiasi utenza compatibile con un'alimentazione di tensione di 24 V DC e che non necessiti di una corrente di alimentazione superiore a 200 mA. Durante il collegamento fare attenzione alla corretta polarità. In presenza di LED, utilizzare una resistenza adatta.

5.13. Conclusione dell'installazione

1. Collegare il conduttore di terra del cavo di alimentazione e di tutti gli apparecchi alla barra di messa a terra g.
2. Applicare il coperchio dell'alloggiamento sul bordo superiore della scatola di connessione.
3. Premere leggermente verso l'interno le chiusure a scatto e inclinare verso il basso il coperchio dell'alloggiamento finché non si sente uno scatto.

6. Esecuzione delle prove



AVVERTENZA!

Le seguenti prove vengono eseguite con l'alimentazione elettrica inserita. Sussiste pericolo di scossa elettrica!

- NON toccare MAI le parti sotto tensione.

Le seguenti prove devono essere eseguite da un elettricista autorizzato.

1. Controllare il contatto dei cavi di messa a terra sul morsetto di terra.
2. Controllare il fusibile termico di protezione del sensore della stufa F1.
 - a. Accendere il comando della sauna.
 - b. Aprire il sensore della stufa e scollegare uno dei due cavi rossi del sensore.
 - ▶ Viene emesso un segnale acustico ricorrente, nella parte superiore del display "Err", nella parte inferiore "02".
 - ▶ Il comando spegne la stufa.
 - c. Spegnerne il comando della sauna.
 - d. Ricollegare il cavo rosso del sensore della stufa.
 - e. Scollegare ora uno dei cavi bianchi del sensore della stufa.
 - f. Accendere il comando della sauna.
 - ▶ Viene emesso un segnale acustico ricorrente, nella parte superiore del display "Err", nella parte inferiore "04F1".
 - ▶ Il comando spegne la stufa.
 - g. Spegnerne il comando della sauna.
 - h. Ricollegare il cavo bianco del sensore della stufa.
3. Controllare l'interconnessione delle fasi L1, L2, L3 su U, V, W per il funzionamento della sauna.
4. Per PRO C3: Controllare l'interconnessione delle fasi L1, L2, L3 su U, V1, W per il funzionamento dell'evaporatore.
5. Controllare l'interconnessione della fasi da L3 a W1 attivando l'apparecchio collegato sull'uscita supplementare.
6. Controllare la potenza termica massima ammessa sul comando della sauna pari a 3,5 kW per ogni fase.
7. In presenza di un ampliamento della potenza opzionale:
 - a. Controllare i cavi di comando ST1, ST2 e ST3.
 - b. Controllare la potenza termica massima ammessa sull'ampliamento della potenza S2-18 pari a 3 kW per ogni fase.
 - c. Controllare la potenza termica massima ammessa sull'ampliamento della potenza S2-30 pari a 7 kW per ogni fase.

8. Messa in funzione

8.1. Impostazione del selettore di funzioni

Mediante il selettore di funzioni posizionato nella zona di collegamento per la bassa tensione è possibile attivare diverse funzioni del prodotto. La figura a destra mostra l'impostazione standard dei selettori di funzioni.

Osservare che dopo le modifiche il comando deve essere disattivato per 10 sec., per salvare le impostazioni.

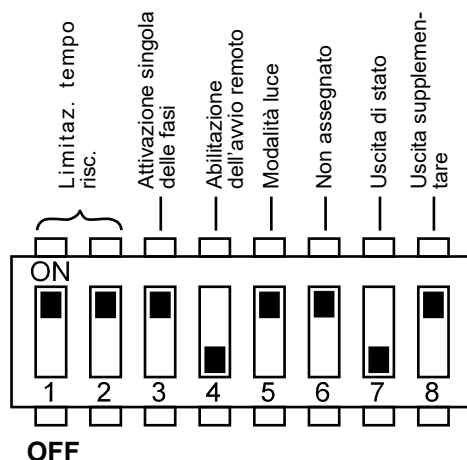


Fig.5 Selettore di funzioni - Impostazione standard

Impostazione della limitazione del tempo di riscaldamento

Il tempo di riscaldamento massimo è preimpostato su 6 h. Per motivi di sicurezza, il comando della sauna si disattiva automaticamente una volta superato il tempo di riscaldamento massimo.

Mediante i selettori di funzioni nella zona di collegamento per la bassa tensione è possibile impostare una durata di riscaldamento massima su 12 h, 18 h o 24 h. Le posizioni necessarie per i selettori di funzioni si trovano nella tabella a destra.

Selettore di funzioni	1	2
6 h	ON	ON
12 h	OFF	ON
18 h	ON	OFF
24 h	OFF	OFF

La direttiva EN 60335-2-53 stabilisce per le saune per uso privato una limitazione del tempo di riscaldamento massima di 6 h. Per saune in hotel, caseggiati e posti simili, è ammessa una limitazione del tempo di riscaldamento massima di 12 h. L'estensione della limitazione del tempo di riscaldamento a 18 o 24 h è permessa solo in saune pubbliche.

Attivazione/disattivazione dell'attivazione singola delle fasi

La funzione di attivazione singola delle fasi viene attivata/disattivata mediante il selettore di funzioni **3**.

- Il selettore di funzioni **3** è preimpostato di serie sulla posizione ON. L'attivazione singola delle fasi è così attivata.
- Per disattivare l'attivazione singola delle fasi, portare il selettore di funzioni **3** in posizione OFF.

Abilitazione dell'avvio remoto

Con il selettore di funzioni **4** è possibile selezionare la funzione dell'uscita di avvio remoto (osservare la EN60335-2-53).

- Il selettore di funzioni **4** è preimpostato in posizione OFF. L'avvio remoto viene attivato tramite "Stand-by per comando remoto".
- Se si desidera abilitare l'uscita di avvio remoto per diversi dispositivi (ad es. gettoniera, sistema di avvio remoto, monitoraggio porta), impostare il selettore di funzioni **4** in posizione ON.

Impostazione della modalità di funzionamento della luce

È possibile attivare o regolare l'illuminazione della cabina. La funzione di regolazione viene attivata/disattivata mediante il selettore di funzioni **5**.

- Il selettore di funzioni **5** è preimpostato di serie sulla posizione ON. La funzione di regolazione è così attivata.
 - ▶ Per modificare la curva d'intensità, consultare il punto **"Modifica della curva d'intensità della luce"** a pagina **29**.
- Per disattivare la funzione di regolazione della luminosità della cabina, portare il selettore di funzioni **5** in posizione OFF.

Uscita di stato

Con l'ausilio del selettore di funzioni **7** è possibile stabilire se l'uscita di stato deve essere attivata durante il funzionamento della sauna o durante il programma di asciugatura successiva. L'attivazione durante il programma di asciugatura successiva consente di svuotare automaticamente l'evaporatore nelle stufe combinate con funzione di autoriempimento.

- Il selettore di funzioni **7** è preimpostato sulla posizione OFF. L'uscita di stato è così attivata durante il funzionamento della sauna.
- Per attivare l'uscita di stato durante il programma di asciugatura successiva, portare il selettore di funzioni **7** nella posizione ON.

Impostazione della modalità di funzionamento dell'uscita supplementare

È possibile attivare o regolare l'uscita supplementare. La funzione di regolazione viene attivata/disattivata mediante il selettore di funzioni **8**.

- Il selettore di funzioni **8** è preimpostato di serie sulla posizione ON. La funzione di regolazione è così attivata.
- Per disattivare la funzione di regolazione della luminosità dell'uscita supplementare, portare il selettore di funzioni **8** in posizione OFF.

8.2. Impostazioni nel menu per il personale tecnico

Come richiamare il menu per il personale tecnico

Nel menu per il personale tecnico è possibile apportare ulteriori impostazioni. Per accedere al menu per il personale tecnico seguire i seguenti passaggi:

1. Spegnere il comando della sauna.
2. Premere contemporaneamente sulla manopola inferiore e sull'interruttore ON/OFF.
 - ▶ Nella parte superiore del display appare brevemente "SEtt".
 - ▶ I LED di entrambe le manopole lampeggiano.



Le impostazioni vengono salvate non appena si esce dal menu per il personale tecnico (vedi **Uscita dal menu per il personale tecnico a pagina 30**).

IT

Attivazione del funzionamento con un sensore

Nel funzionamento con un sensore, il comando della sauna viene fatto funzionare solo assieme al sensore della stufa con fusibile termico di protezione (sensore F1). Il funzionamento a due sensori di serie è attivato. Se si desidera attivare il funzionamento a un sensore, seguire i passaggi seguenti:

1. Per richiamare il menu per il personale tecnico (vedi **26**).
2. Ruotare la manopola superiore sul simbolo della temperatura (posizione **A** – vedi punto **9.2** a pagina **31**).
 - ▶ Il simbolo della temperatura lampeggia.
 - ▶ Nella parte superiore del display appare "SEnB".
 - ▶ Nella parte inferiore del display appare "On".
("On" significa che il funzionamento a due sensori è attivato.)
3. Ruotare la manopola inferiore verso sinistra.
 - ▶ Nella parte inferiore del display appare "OFF".
 - ▶ Il funzionamento con un sensore è attivato.

Indicazione della temperatura della stufa nel funzionamento a un sensore

Nel funzionamento a un sensore, il comando della sauna di serie visualizza solamente la temperatura nominale. La temperatura effettiva non viene visualizzata. Se il comando della sauna nel funzionamento a un sensore indica la temperatura attraverso la stufa (sensore F1) come temperatura effettiva, deve essere attivato nel menu per il personale tecnico.

1. Per richiamare il menu per il personale tecnico (vedi pagina **26**)
2. Per attivare il funzionamento a un sensore (vedi pagina **26**).
 - ▶ Nella parte superiore del display si trova "SEnB".
 - ▶ Nella parte inferiore del display si trova "OFF".
3. Premere sulla manopola inferiore.
 - ▶ Nella parte superiore del display appare "dISP".
 - ▶ Nel display inferiore compare "SEt" (nel funzionamento a un sensore viene visualizzata solo la temperatura nominale).
4. Ruotare la manopola inferiore verso sinistra.
 - ▶ Nel display inferiore compare "SEnS" (la temperatura della stufa (sensore F1) viene visualizzata come temperatura effettiva nel funzionamento a un sensore)

Riduzione della temperatura massima a 105 °C

Nelle impostazioni predefinite, la temperatura nominale può essere impostata in un intervallo compreso fra 30 °C e 110 °C. Se si desidera abbassare la temperatura massima da 110 °C a 105 °C, eseguire i seguenti passi:

1. Per richiamare il menu per il personale tecnico (vedi **26**).
2. Ruotare la manopola superiore sul simbolo della temperatura (posizione **A** – vedi punto **9.2** a pagina).
 - ▶ Il simbolo della temperatura lampeggia.
 - ▶ Nella parte superiore del display appare "SEnB".
3. Premere sulla manopola inferiore finché nel display superiore non compare "tHI".
 - ▶ Nella parte inferiore del display appare "110".
4. Ruotare la manopola inferiore verso sinistra.
 - ▶ Nel display inferiore compare "105" (temperatura massima impostata a 105 °C)

Attivazione della visualizzazione contemporanea della temperatura e dell'umidità

Per attivare la visualizzazione contemporanea della temperatura e dell'umidità, procedere nel seguente modo:

1. Per richiamare il menu per il personale tecnico (vedi **26**).

2. Ruotare la manopola superiore sul simbolo della temperatura (posizione **A** – vedi punto **9.2** a pagina **31**).
 - ▶ Il simbolo della temperatura lampeggia.
 - ▶ Nel display superiore appare “SEnB”.
3. Premere più volte sulla manopola inferiore finché nel display superiore non appare “ISt2”.
4. Ruotare la manopola inferiore a sinistra o a destra per attivare o disattivare la funzione.

Attivazione del funzionamento singolo evaporatore (solo PRO C3)

Di fabbrica, l'evaporatore può essere messo in funzione solo insieme al sistema di riscaldamento. Per utilizzare l'evaporatore da solo senza il sistema di riscaldamento, deve essere attivata questa funzione. Procedere nel seguente modo:

1. Per richiamare il menu per il personale tecnico (vedi **26**).
2. Ruotare la manopola superiore sul simbolo dell'umidità (posizione **B** – vedi punto **9.2** a pagina **31**).
 - ▶ Il simbolo dell'umidità lampeggia.
 - ▶ Nel display superiore appare “SIn”.
 - ▶ Nel display inferiore compare “OFF”. (funzionamento singolo evaporatore disattivato.)
3. Ruotare la manopola inferiore verso destra.
 - ▶ Nel display inferiore appare “On”.(funzionamento singolo evaporatore attivato)

IT

Impostazione del tempo di funzionamento del programma di asciugatura successiva (solo PRO C3)

Il tempo di funzionamento massimo del programma di asciugatura successiva è di 30 min. come impostazione predefinita. Se si desidera modificare questa impostazione, seguire i passi seguenti:

1. Per richiamare il menu per il personale tecnico (vedi **26**).
2. Ruotare la manopola superiore sul simbolo dell'umidità (posizione **B**)
 - ▶ Il simbolo dell'umidità lampeggia.
 - ▶ Nel display superiore appare “SIn”.
3. Premere la manopola inferiore.
 - ▶ Nel display inferiore compare “t30”.
4. Ruotare la manopola inferiore (selezione 0 - 60; 0 = programma di asciugatura successiva disattivato, 60 = tempo di funzionamento massimo in minuti)

Attivazione/disattivazione del sensore a membrana

Se sull'uscita supplementare vengono collegati dei pannelli radianti a infrarossi, utilizzare il sensore a membrana P-ISX-FF. Il sensore a membrana deve essere attivato. Procedere nel seguente modo:

1. Per richiamare il menu per il personale tecnico (vedi **26**).
2. Ruotare la manopola superiore sul simbolo dell'uscita supplementare (posizione **C** – vedi punto **9.2** a pagina **31**).
 - ▶ Il simbolo dell'uscita supplementare è acceso.
 - ▶ Nella parte superiore del display appare "SEnF".
 - ▶ Nella parte inferiore del display appare "OFF". (sensore a membrana disattivato)
3. Ruotare la manopola inferiore verso destra.
 - ▶ Nella parte inferiore del display compare "On". (sensore a membrana attivato)

Modifica della curva d'intensità della luce

Poiché le lampadine e i LED reagiscono in modo diverso alla funzione di regolazione d'intensità, esiste la possibilità di selezionare la curva d'intensità in base al sistema di luci utilizzato.

1. Per richiamare il menu per il personale tecnico (vedi **26**).
2. Ruotare la manopola superiore sul simbolo della luce (posizione **D** – vedi punto **9.2** a pagina **31**).
 - ▶ Il simbolo della luce è acceso.
 - ▶ Nel display superiore compare "tYPe".
 - ▶ Nel display inferiore appare "BULB".
(“BULB” significa che è attivata la curva d'intensità per le lampadine.)
3. Ruotare la manopola inferiore verso sinistra.
 - ▶ Nel display inferiore appare "LED".
(“LED” significa che è attivata la curva d'intensità per i LED.)

Impostazione della modalità di funzionamento del ventilatore

È possibile attivare o regolare l'intensità del ventilatore. Nelle impostazioni predefinite la funzione di regolazione del ventilatore è attivata. Se si desidera attivare la funzione di regolazione della luminosità del ventilatore, seguire i passi seguenti:

1. Per richiamare il menu per il personale tecnico (vedi **26**).
2. Ruotare la manopola superiore sul simbolo del ventilatore (posizione **E** – vedi punto **9.2** a pagina **31**).
 - ▶ Il simbolo del ventilatore è acceso.
 - ▶ Nella parte superiore del display appare "FAn".
 - ▶ Nella parte inferiore del display appare "On".
(“On” significa che la funzione di regolazione della luminosità è attivata).

3. Ruotare la manopola inferiore verso sinistra.
 - ▶ Nella parte inferiore del display appare "OFF".
 - ▶ La funzione di regolazione del ventilatore è disattivata.

Attivare il collegamento del dispositivo di sicurezza per lo spegnimento automatico / sensore porta

Nelle impostazioni predefinite lo spegnimento automatico è attivato. Se si desidera attivare la funzione del dispositivo di apertura porta, eseguire i passaggi seguenti:

1. Per richiamare il menu per il personale tecnico (vedi **26**).
2. Ruotare la manopola superiore sul simbolo del Avvio remoto (posizione **J** – vedi punto **9.2** a pagina **31**).
 - ▶ Il simbolo dell'avvio remoto lampeggia.
 - ▶ Nel display superiore compare "SdO".
 - ▶ Nel display inferiore compare "SAFE".
3. Ruotare la manopola inferiore verso destra.
 - ▶ Nel display inferiore compare "door".
 - ▶ Il sensore porta è attivato.

Richiesta versione software

Per richiedere la versione del software del vostro comando della sauna, procedere nel seguente modo:

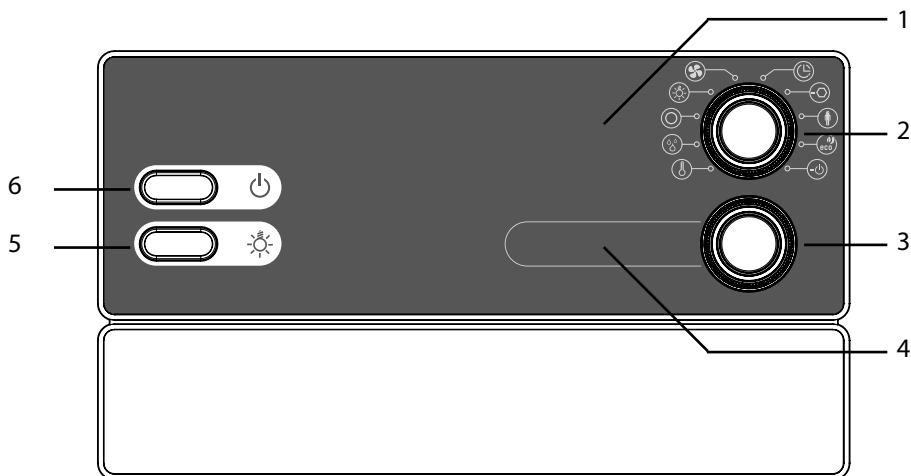
1. Per richiamare il menu per il personale tecnico (vedi **26**).
2. Ruotare la manopola superiore sul simbolo Eco (posizione **I** – vedi punto **9.2** a pagina **31**).
 - ▶ Nella parte superiore del display compare la versione software "5.00.5".

Uscita dal menu per il personale tecnico

- Premere per un secondo (longpress) sulla manopola inferiore.
 - ▶ La manopola inferiore inizia a lampeggiare.
 - ▶ La manopola superiore è accesa.
 - ▶ Il menu per il personale tecnico è terminato.
 - ▶ Le impostazioni sono state memorizzate.

9. Elementi di comando

9.1. Denominazione degli elementi di comando



1 Indicatore supplementare

2 Selettore di funzioni

3 Selettore di intensità

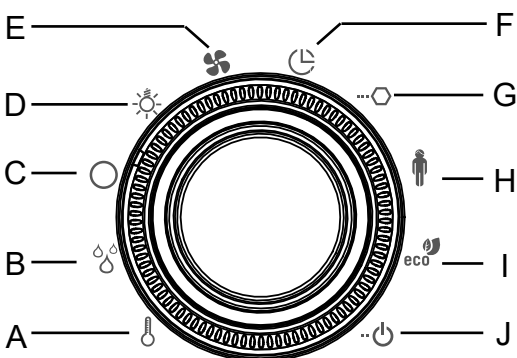
4 Indicazione dell'intensità

5 Interruttore della luce

6 Interruttore ON/OFF

9.2. Il selettore di funzioni

Con il selettore di funzioni 2 si stabilisce quale funzione deve essere modificata con il selettore di intensità 3. Il selettore di funzioni 2 è acceso se il comando della sauna è attivato.



A Temperatura

B Umidità (solo PRO C3)

C Uscita supplementare

D Luce

E Ventilatore

F Preselezione oraria

G Tempo di funzionamento

H Programmi utente

I Funzione Eco

J Avvio remoto

9.3. Selettore di intensità

Con il selettore di intensità 3 si modifica l'intensità o la potenza della funzione selezionata sul selettore di funzioni 2.

- Per aumentare la potenza, ruotare il selettore di intensità 3 verso destra.
- Per ridurre la potenza, ruotare il selettore di intensità 3 verso sinistra.

Se si preme sul selettore di intensità 3, viene avviata la funzione che è stata selezionata sul settore di funzione 2.

- Il selettore di intensità 3 è acceso se la funzione che è stata selezionata sul selettore di funzioni 2 è inserita.

10. Utilizzo

10.1. Attivazione della luce

È possibile accendere e spegnere la luce nella cabina della sauna indipendentemente dall'interruttore ON/OFF 6.

- Per accendere e spegnere la luce, premere l'interruttore della luce 5.



Quando l'interruttore della luce 5 è attivato, la luce della cabina è sempre accesa con la massima intensità. Se si desidera regolare la luce con il selettore di intensità 3, spegnere l'interruttore della luce 5.

10.2. Accensione del comando della sauna

- Per attivare il comando della sauna, premere l'interruttore ON/OFF 6.
 - ▶ Il selettore di funzioni 2 è acceso.



Comando di base

1. Ruotare il selettore di funzioni 2 sulla funzione (sauna, umidità, luce, ventilatore, uscita supplementare) che si desidera avviare o spegnere.
2. Con il selettore di intensità 3, selezionare l'intensità desiderata della funzione.
3. Per avviare o spegnere la funzione, premere il selettore di intensità 3.



Se la stufa viene spenta (funzione temperatura **A**), anche l'evaporatore viene spento automaticamente (funzione umidità **B**).

10.3. Avvio del funzionamento della sauna

**AVVERTENZA!*****Pericolo di incendio***

Gli oggetti infiammabili appoggiati sulla stufa per sauna calda possono infiammarsi e causare incendi.

- Non appoggiare MAI oggetti infiammabili sulla stufa.
- Prima di accendere il comando della sauna, assicurarsi che sulla stufa per sauna non si trovino oggetti infiammabili.

1. Ruotare il selettore di funzioni 2 nella posizione **A** (temperatura).
 - ▶ Il simbolo della temperatura è acceso.
2. Impostare la temperatura desiderata con il selettore di intensità 3.
3. Premere sull'interruttore di intensità 3.
 - ▶ La stufa viene accesa e inizia a riscaldare.
 - ▶ Il selettore di intensità 3 è acceso.
 - ▶ Nell'indicazione dell'intensità 4 viene indicata la temperatura attuale nella cabina. Nel funzionamento a un sensore, viene visualizzata la temperatura nominale.

10.4. Avvio del funzionamento combinato (solo PRO C3)

1. Ruotare il selettore di funzioni 2 nella posizione **A** (temperatura).
 - ▶ Il simbolo della temperatura è acceso.
2. Impostare la temperatura desiderata con il selettore di intensità 3.
3. Premere sull'interruttore di intensità 3.
 - ▶ La stufa viene accesa e inizia a riscaldare.
 - ▶ Il selettore di intensità 3 è acceso.
 - ▶ Nell'indicazione dell'intensità 4 viene indicata la temperatura attuale nella cabina. Nel funzionamento a un sensore, viene visualizzata la temperatura nominale.
4. Ruotare il selettore di funzioni 2 nella posizione **B** (umidità).
 - ▶ Il simbolo dell'umidità è acceso.
 - ▶ La luce del selettore di intensità 3 si spegne.
5. Con il selettore di intensità 3, selezionare il livello di umidità desiderato.

6. Premere sul selettore di intensità 3.

- ▶ L'evaporatore viene attivato.
- ▶ Il selettore di intensità 3 è acceso.
- ▶ Nell'indicazione dell'intensità 4 viene indicata l'umidità attuale presente nella cabina. Se non è stato installato nessun sensore di temperatura e di umidità, viene indicato il valore nominale dell'umidità.



L'evaporatore può essere avviato (funzione umidità **B**) solamente quando è accesa la stufa per sauna (funzione temperatura **A**). Il valore nominale massimo impostabile per l'umidità dipende comunque dalla temperatura presente nella sauna. Maggiore è la temperatura, minore sarà il valore massimo impostabile per l'umidità.

Eccezione: Il funzionamento singolo evaporatore è attivato (vedi “**8.2. Impostazioni nel menu per il personale tecnico**” a pagina 26). Ora è possibile mettere in funzione l'evaporatore anche senza la stufa, tuttavia l'umidità massima dipende dalla temperatura attuale della cabina.



Se il comando della sauna viene utilizzato senza sensore di temperatura e di umidità (FTS2), si attiva il funzionamento a ciclo. Se la temperatura della cabina scende sotto i 30 °C, l'evaporatore viene attivato per 10 minuti senza alcuna interruzione. Ciò fa sì che l'acqua nel serbatoio raggiunga una temperatura base. Dopodiché inizia il funzionamento a ciclo.

10.5. Avvio dell'uscita supplementare

IT

Sull'uscita supplementare del comando della sauna è possibile ad es. collegare un irradiatore a infrarossi o dei pannelli radianti a infrarossi.



AVVERTENZA!

Pericolo di incendio

Gli oggetti infiammabili appoggiati sull'irradiatore a raggi infrarossi caldo possono infiammarsi e causare incendi.

- Non appoggiare MAI oggetti infiammabili sopra o davanti all'irradiatore a raggi infrarossi.
- Prima di accenderlo, assicurarsi che davanti o sull'irradiatore a raggi infrarossi NON ci siano oggetti infiammabili.

Per l'uscita supplementare sono disponibili due diverse modalità di funzionamento:

1. **Regolazione d'intensità**
2. **Regolazione della temperatura ambiente**

Per passare da una modalità all'altra, procedere nel seguente modo:

1. Ruotare il selettore di funzioni 2 nella posizione **C** (uscita supplementare).
 - ▶ Il simbolo dell'uscita supplementare è acceso.
 - ▶ Nella visualizzazione d'intensità 4, a seconda della modalità di funzionamento, viene visualizzato un valore d'intensità o una temperatura.
2. Premere per tre secondi (longpress) sulla manopola inferiore.
 - ▶ Nel display superiore viene visualizzata per breve tempo la modalità di funzionamento appena impostata:
 - Visualizzazione: "**StEP**" - l'uscita supplementare si trova nella **regolazione d'intensità**.
 - Visualizzazione: "**tE**" - l'uscita supplementare si trova nella **regolazione della temperatura ambiente**.

Regolazione dell'intensità con la corrispondente funzione attivata

Quando la funzione di regolazione dell'uscita supplementare è attivata, è possibile regolare la potenza dell'apparecchio supplementare su una scala da 0 a 7. Se il valore è 0 l'apparecchio supplementare è spento. Il valore 7 corrisponde alla potenza completa.

1. Ruotare il selettore di funzioni 2 nella posizione **C** (uscita supplementare).
 - ▶ Il simbolo dell'uscita supplementare è acceso.
2. Con il selettore di intensità 3, impostare la potenza desiderata dell'apparecchio supplementare.
3. Premere sull'interruttore di intensità 3.
 - ▶ L'apparecchio supplementare viene attivato.
 - ▶ Il selettore di intensità 3 è acceso.

IT

Regolazione dell'intensità con la corrispondente funzione disattivata

Quando la funzione di regolazione dell'apparecchio supplementare è disattivata, è possibile esclusivamente accendere/spengere l'apparecchio supplementare. L'apparecchio funziona sempre con la potenza massima.

1. Ruotare il selettore di funzioni 2 nella posizione **C** (uscita supplementare).
 - ▶ Il simbolo dell'uscita supplementare è acceso.
 - ▶ Nell'indicazione dell'intensità appare "OFF".
2. Premere sul regolatore di intensità 3.
 - ▶ L'apparecchio supplementare viene attivato.
 - ▶ Il selettore di intensità 3 è acceso.
 - ▶ Nell'indicazione dell'intensità appare "On".

Regolazione della temperatura ambiente dell'uscita supplementare

Se la modalità di funzionamento dell'uscita supplementare è impostata sulla regolazione della temperatura ambiente, è possibile impostare una temperatura della cabina regolabile tramite l'uscita supplementare. Questo serve per regolare la temperatura della cabina solo tramite l'irradiatore a raggi infrarossi o i pannelli radianti a infrarossi.

Possibilità di regolazione:

- irradiatore a raggi infrarossi (senza sensore a membrana): 30 - 70 °C
- pannelli radianti a infrarossi (con sensore a membrana): 30 - 50 °C



Se la stufa per sauna è già attiva o se viene avviata anche la stufa per sauna, non è possibile regolare la temperatura dell'uscita supplementare. La modalità di funzionamento viene modificata automaticamente su regolazione della potenza e l'uscita supplementare continua a funzionare con il livello massimo.

10.6. Attivazione della luce

Con funzione di regolazione attivata

Quando la funzione di regolazione della luce è attivata, è possibile regolare l'intensità della luce dal livello 0 al livello 100. Se il valore è 0, la luce è spenta. Il valore 100 corrisponde alla potenza completa.

1. Ruotare il selettore di funzioni 2 nella posizione **D** (luce).
 - ▶ Il simbolo della luce è acceso.
2. Con il selettore di intensità 3, impostare il livello di luce desiderato.
3. Premere sull'interruttore di intensità 3.
 - ▶ La luce viene accesa.

Il selettore di intensità 3 è acceso.



Quando l'interruttore della luce 5 è attivato, la luce della cabina è sempre accesa con la massima intensità. Se si desidera regolare la luce con il selettore di intensità 3, spegnere l'interruttore della luce 5.

IT

Con funzione di regolazione disattivata

Quando la funzione di regolazione della luce è disattivata, è possibile solo accendere e spegnere la luce. La luce funziona sempre con la potenza massima.

1. Ruotare il selettore di funzioni 2 nella posizione **D** (luce).
 - ▶ Il simbolo della luce è acceso.
 - ▶ Nell'indicazione dell'intensità appare "OFF".
2. Premere sul regolatore di intensità 3.
 - ▶ La luce viene accesa.
 - ▶ Il selettore di intensità 3 è acceso.
 - ▶ Nell'indicazione dell'intensità appare "On".

10.7. Avvio del ventilatore

Con funzione di regolazione attivata

Quando la funzione di regolazione del ventilatore è attivata, è possibile regolare la potenza del ventilatore supplementare su una scala da 0 a 100. Se il valore è 0, il ventilatore è spento. Il valore 100 corrisponde alla potenza completa.

1. Ruotare il selettore di funzioni 2 nella posizione **E** (ventilatore).
 - ▶ Il simbolo del ventilatore è acceso.
2. Con il selettore di intensità 3, impostare la potenza desiderata del ventilatore.
3. Premere sull'interruttore di intensità 3.
 - ▶ Il ventilatore viene attivato.
 - ▶ Il selettore di intensità 3 è acceso.

Con funzione di regolazione disattivata

Quando la funzione di regolazione del ventilatore è disattivata, è possibile esclusivamente accendere/spengere il ventilatore. L'apparecchio funziona sempre con la potenza massima.

1. Ruotare il selettore di funzioni 2 nella posizione **E** (ventilatore).
 - ▶ Il simbolo del ventilatore è acceso.
 - ▶ Nell'indicazione dell'intensità appare "OFF".
2. Premere sul regolatore di intensità 3.
 - ▶ Il ventilatore viene attivato.
 - ▶ Il selettore di intensità 3 è acceso.
 - ▶ Nell'indicazione dell'intensità appare "On".

IT

10.8. Impostazione della preselezione oraria

È possibile impostare la preselezione oraria con una precisione corrispondente al minuto. Il tempo massimo della preselezione oraria è 24 ore. La preselezione oraria viene visualizzata in ore e minuti, ad es. 8 ore e 15 minuti vengono visualizzati come 8.15.



AVVERTENZA!

Pericolo di incendio

Gli oggetti infiammabili che poggiano sulla stufa calda, infiammandosi causano incendi.

- Non appoggiare MAI oggetti infiammabili sulla stufa.
- Prima di attivare la funzione di preselezione oraria, accertarsi che NESSUN oggetto infiammabile si trovi sulla stufa.

1. Avviare le funzioni che devono essere avviate una volta superato il tempo di preselezione.
2. Ruotare il selettore di funzioni 2 nella posizione **F** (preselezione oraria).
 - ▶ Nell'indicazione dell'intensità 4 viene visualizzata la preselezione oraria impostata per ultima.
3. Con il selettore di intensità 3, selezionare la preselezione oraria desiderata.
4. Premere sull'interruttore di intensità 3.
 - ▶ Il comando della sauna commuta nella modalità stand-by e il timer parte.
 - ▶ Nell'indicazione dell'intensità 4 viene visualizzato l'orario di preselezione rimanente.
 - ▶ Il simbolo del tempo di preselezione lampeggia.
 - ▶ Il selettore di intensità 3 è acceso.
 - ▶ Una volta raggiunto il tempo della preselezione oraria, le funzioni selezionate vengono avviate.

10.9. Annullamento della funzione di preselezione oraria

- Per interrompere la funzione di preselezione oraria, premere sul selettore di intensità 3.
 - ▶ Il decorrere del tempo di preselezione viene interrotto.
 - ▶ Il simbolo della preselezione oraria è acceso in modo costante.

10.10. Impostazione del tempo di funzionamento

Già all'avvio della sauna, è possibile stabilire per quanto tempo la sauna dovrà essere in funzione. In questo caso non deve essere superato il tempo di riscaldamento massimo (ad es. 6 h per saune private). Il tempo di funzionamento viene visualizzato in ore e minuti, ad es. 3 ore e 15 minuti vengono visualizzati come 3.15.

1. Ruotare il selettore di funzioni 2 nella posizione **G** (tempo di funzionamento).
 - ▶ Nell'indicazione dell'intensità 4 viene visualizzato il tempo di funzionamento impostato per ultimo.
2. Con il selettore di intensità 3, selezionare il tempo di funzionamento desiderato.
3. Per salvare il tempo di funzionamento, premere per tre secondi (longpress) sulla manopola inferiore.
 - ▶ Il pulsante inferiore si accende 4 volte, l'impostazione è salvata.



- Premere sul selettore dell'intensità 3 e ruotarlo contemporaneamente.
 - ▶ La preselezione oraria ovvero il tempo di funzionamento si modifica in passi di ore.

10.11. Attivazione Stand-by per telecomando

Secondo la norma EN 60335-2-53, i comandi della sauna con funzione di avvio remoto devono essere impostati manualmente sulla modalità di funzionamento "Stand-by per telecomando".



Questa attivazione deve essere fatta dopo ogni operazione di avvio remoto e arresto remoto.

In caso di dispositivo di sicurezza per lo spegnimento automatico attivato (Standard)

Procedere nel seguente modo:

1. Ruotare il selettore di funzioni 2 nella posizione **J** (avvio remoto).
 - ▶ Nell'indicazione dell'intensità 4 viene visualizzato "oFF".
2. Premere la manopola inferiore per attivare la modalità di funzionamento "Stand-by per telecomando".
 - ▶ Nella visualizzazione d'intensità 4 viene visualizzato "on" e il simbolo di avvio remoto inizia a lampeggiare.
 - ▶ Il comando della sauna è ora pronto per essere avviato e arrestato tramite un segnale remoto.
 - ▶ Una volta avvenuto l'avvio o l'arresto remoto, si spegne il simbolo di avvio remoto e deve essere effettuata nuovamente l'attivazione della modalità di funzionamento.

In caso di sensore porta attivato

Procedere nel seguente modo:

1. Ruotare il selettore di funzioni 2 nella posizione **J** (avvio remoto).
 - ▶ Nell'indicazione dell'intensità 4 viene visualizzato "oFF".
2. Premere la manopola inferiore per attivare la modalità di funzionamento "Stand-by per telecomando".
 - ▶ Nell'indicazione dell'intensità 4 viene visualizzato un conto alla rovescia di 30 sec. In questo tempo la porta può essere aperta / chiusa un qualsiasi numero di volte. Allo scadere del conto alla rovescia, le porte devono essere chiuse!
 - ▶ Nella visualizzazione d'intensità 4 viene visualizzato "rc" e il simbolo di avvio remoto inizia a lampeggiare.
 - ▶ Il comando della sauna è ora pronto per essere avviato tramite un segnale di avvio remoto (= modalità "stand-by per azionamento remoto")
 - ▶ Una volta avvenuto l'avvio o l'arresto remoto, si spegne il simbolo di avvio remoto e deve essere effettuata nuovamente l'attivazione della modalità di funzionamento.

La porta si apre, sul display compare l'avvertenza "door"

- in modalità "stand-by per azionamento remoto":
Per proseguire la modalità, la porta deve essere chiusa e la manopola inferiore deve essere premuta due volte.
 - ▶ Sul display viene visualizzato di nuovo il conto alla rovescia (30 sec.)
- nel funzionamento in corso o con uscita di avvio remoto abilitata (per gettoniera o sistema sensore porta):
Il riconoscimento avviene automaticamente se la porta viene chiusa.

10.12. Modifica dei valori nominali

Durante il funzionamento è possibile modificare i valori nominali impostati in ogni momento.

1. Ruotare il selettore di funzioni 2 sulla funzione che si desidera modificare.
2. Con il selettore di intensità 3, impostare il valore nominale desiderato.

10.13. Interruzione del programma di asciugatura successiva

Dopo il funzionamento combinato viene avviato automaticamente il programma di asciugatura successiva. In questo modo la cabina della sauna viene riscaldata a 80 °C a ventilatore attivato. (Standard = 30 minuti, a seconda dell'impostazione nel menu per il personale tecnico). Nell'indicazione dell'intensità 4 viene visualizzato il testo "dry" e il simbolo della temperatura lampeggia.

- Per interrompere il programma di asciugatura successiva, premere per tre secondi (longpress) sul selettore di intensità 3.

IT

Per impedire la formazione di muffe, si consiglia di NON interrompere il programma di asciugatura successiva.

10.14. Spegnimento del comando della sauna

- Per spegnere il comando della sauna, premere l'interruttore ON/OFF 6.
 - ▶ Le luci sul selettore di funzioni 2, sul selettore dell'intensità e l'indicazione dell'intensità si spengono.
 - ▶ Il comando della sauna è disattivato.

11. Programmi utente

Utilizzando i programmi utente è possibile memorizzare e richiamare nuovamente le impostazioni della sauna preferite. Sono disponibili 5 programmi utente preimpostati che l'utente può modificare a suo piacimento.

Le impostazioni delle seguenti funzioni vengono memorizzate nei programmi utente:

- Temperatura
- Umidità (solo PRO C3)
- Uscita supplementare (regolazione d'intensità o della temperatura ambiente)
- Luce
- Ventilatore
- Tempo di funzionamento

11.1. Programmi utente preimpostati

I seguenti programmi utente sono già predefiniti.

<i>Programma utente</i>	<i>Temperatura</i> °C	<i>Umidità</i> %	<i>Uscita supplementare</i>	<i>Luce</i> %	<i>Ventilatore</i> %	<i>Tempo di funzionamento</i> Ora
1	90	0	0	50	0	2
2	70	0	0	50	0	2
3	50	60	0	50	0	2
4	60	35	0	50	0	2
5	30	0	7	50	0	1

IT

Come richiamare i programmi utente

1. Ruotare il selettore di funzioni 2 nella posizione **H** (programmi utente).
 - ▶ Il simbolo utente è acceso.
2. Con il regolatore di intensità 3, selezionare il programma utente (1 - 5).
3. Premere sull'interruttore di intensità 3.
 - ▶ Il programma utente viene avviato.
 - ▶ Il selettore di intensità 3 è acceso.

11.2. Creazione di programmi utente individuali

È possibile creare programmi utente a proprio piacimento. A tal fine viene sovrascritto un programma utente preimpostato. Procedere nel seguente modo:

1. Avviare tutte le funzioni che devono essere attivate con il programma utente con l'intensità desiderata.
2. Ruotare il selettore di funzioni 2 nella posizione **H** (programmi utente).
 - ▶ Il simbolo utente è acceso.
3. Con il regolatore di intensità 3, selezionare sotto quale numero (1 - 5) deve essere memorizzato il nuovo programma utente.
4. Premere per tre secondi (longpress) sul selettore di intensità 3.
 - ▶ Il selettore di intensità lampeggia.
 - ▶ Le impostazioni sono state memorizzate nel programma utente selezionato.

Esempio

<i>Programma utente</i>	<i>Temperatura</i>	<i>Umidità</i>	<i>Uscita supplementare</i>	<i>Luce</i>	<i>Ventilatore</i>	<i>Tempo di funzionamento</i>
	°C	%		%	%	Ora
2	45	55	0	50	0	3

12. La funzione Eco

La funzione Eco consente di risparmiare energia durante le pause fra una sauna e l'altra. Se la funzione Eco è attivata, gli apparecchi collegati funzionano a potenza ridotta. È possibile scegliere fra pause di 20, 40 o 60 minuti.

Al termine della pausa, la stufa o l'evaporatore vengono di nuovo riaccesi. In questo modo al termine della pausa i valori di temperatura e umidità sono di nuovo tornati sul livello nominale.

Per attivare la funzione Eco, eseguire i seguenti passaggi:

1. Ruotare il selettore di funzioni 2 nella posizione **I** (funzione ECO).
 - ▶ Il simbolo Eco è acceso.
2. Con il selettore di intensità 3, selezionare la durata desiderata della pausa.
 - E20 indica una pausa di 20 minuti.
 - E40 indica una pausa di 40 minuti.
 - E60 indica una pausa di 60 minuti.
3. Premere sull'interruttore di intensità 3.
 - ▶ Il selettore di intensità 3 è acceso.
 - ▶ Per raggiungere di nuovo in tempo la temperatura nominale al termine della pausa, nell'indicazione supplementare 1 compare entro quanti minuti verrà accesa la stufa.

13. Pulizia e manutenzione

13.1. Pulizia

ATTENZIONE!

Danni all'apparecchio

Il comando della sauna è protetto dagli spruzzi d'acqua, tuttavia il contatto diretto con l'acqua può danneggiare l'apparecchio.

- NON immergere MAI l'apparecchio in acqua.
- NON versare MAI acqua sull'apparecchio.
- NON pulire MAI l'apparecchio con un panno troppo inumidito.

1. Immergere un panno per la pulizia in una soluzione di acqua tiepida saponata.
2. Strizzare bene il panno.
3. Pulire l'alloggiamento del comando della sauna con cautela.

13.2. Manutenzione

Il comando della sauna è esente da manutenzione.

14. Smaltimento



- Smaltire i materiali dell'imballaggio conformemente alle normative sullo smaltimento vigenti.
- I vecchi dispositivi contengono materiali riciclabili ma anche sostanze dannose. Non gettare mai un dispositivo usato insieme ai rifiuti non riciclabili, bensì smaltirlo in conformità alle norme vigenti a livello locale.

15. Risoluzione dei problemi

15.1. Messaggi di errore

Il comando della sauna è equipaggiato con un software di diagnosi che controlla gli stati del sistema durante l'accensione e il funzionamento. Non appena il software di diagnosi rileva un guasto, il comando della sauna spegne la stufa.

Gli errori vengono visualizzati attraverso un segnale acustico ricorrente e il lampeggio del selettore di funzioni 2 e del selettore di intensità 3. Inoltre nell'indicazione supplementare 1 viene visualizzato il testo "Err". Nell'indicazione dell'intensità 4 viene visualizzato il numero del guasto.

Disattivare il comando della sauna con l'interruttore ON/OFF 6 ed eliminare il guasto prima di riattivare il comando della sauna.

La seguente tabella descrive i possibili guasti e la rispettiva causa. In caso di necessità, comunicare il codice di errore all'Assistenza Clienti.

<i>Errore</i>	<i>Descrizione</i>	<i>Causa / rimedio</i>
01	Disinserimento di sicurezza	Un oggetto è appoggiato sulla stufa per sauna. Rimuovere l'oggetto prima di mettere nuovamente in funzione la stufa. Se non viene montato il dispositivo di sicurezza per lo spegnimento, consultare il punto 5.10. a pag. 21.
02	Fusibile termico di protezione	Sopra la stufa è stata superata la temperatura massima di 139 °C.
04F1	Errore sensore stufa	Sensore della stufa guasto, contatto difettoso o cortocircuito
05	Errore sensore a membrana	Sensore a membrana guasto, contatto difettoso o cortocircuito
06F2	Errore sensore panca	Sensore della panca guasto, contatto difettoso o cortocircuito
07	Errore sensore di umidità	Sensore di umidità guasto, contatto difettoso o cortocircuito
08	Sovratemperatura sensore a membrana	La temperatura della membrana massima di 100 °C è stata superata.
door	Aprire la porta della sauna	Il comando della sauna è collegato a un sensore porta. Chiudere la porta e controllare i collegamenti o le impostazioni.

15.2. Indicazione di mancanza d'acqua (solo PRO C3)

Il comando della sauna, nella modalità di funzionamento combinato, dispone di uno spegnimento automatico in caso di mancanza d'acqua, a condizione che la stufa combinata supporti questa funzione.

Se il serbatoio dell'acqua dell'evaporatore è vuoto, viene emesso un segnale acustico ripetitivo e viene visualizzato il testo "FILL" nell'indicazione supplementare 1. Contemporaneamente l'evaporatore si spegne.

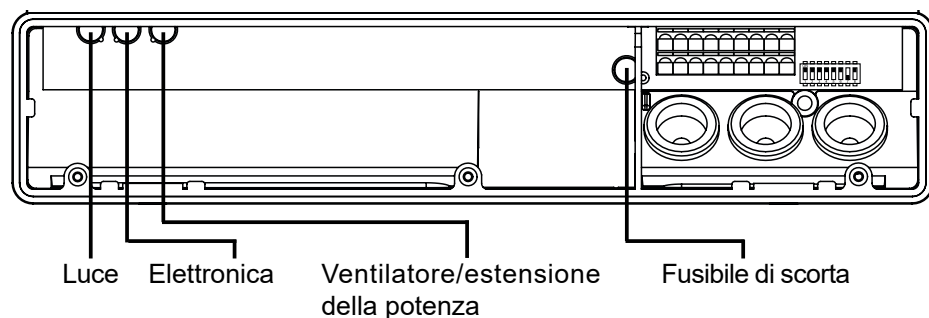
- Riempire con acqua il serbatoio dell'acqua dell'evaporatore.
 - ▶ Dopo un breve intervallo di tempo, il testo "FILL" si spegne e l'evaporatore inizia di nuovo a riscaldarsi.

15.3. Fusibili

Nella zona di collegamento del comando della sauna, si trovano i fusibili per luce, ventilatore/ampliamento della potenza ed elettronica e un fusibile di scorta.

Si tratta di microfusibili ritardati da 1A.

che possono essere ordinati con il numero articolo PRO-FUSE.



Per sostituire il fusibile, estrarre verticalmente l'inserito e inserire il nuovo fusibile.

16. Specifiche tecniche

Condizioni ambientali

Temperatura di stoccaggio:	da -25 °C a +70 °C
Temperatura ambiente:	da -10 °C a +40 °C
Umidità dell'aria:	max 95%

Comando della sauna

Dimensioni:	307 x 175 x 57 mm
Tensione di commutazione / trifase 3N:	400 V AC
Frequenza:	50 Hz
Potere di rottura / riscaldatore:	3 x 3,5 kW
Corrente di commutazione per fase / riscaldatore:	16 A
Potere di rottura / evaporatore:	3,5 kW
Corrente di commutazione / evaporatore:	16 A
Potenza di rottura / uscita supplementare (con intensità regolabile)*	500 W
Potenza di rottura / uscita supplementare (attivabile)*	3,5 kW
Corrente di commutazione / uscita supplementare:	16 A
Uscita di stato:	24 V / 200 mA
Tensione nominale:	230 V
Tipo di protezione (protezione antispruzzo):	IPX4
Allacciamento alla rete di alimentazione come collegamento fisso (allacciamento fisso)	

IT

Luce

Potere di rottura:	100 W
Fusibile:	1A T

Ventilatore

Potere di rottura:	100 W
Fusibile:	1A T

Intervalli di regolazione

Temperatura:	da 30 °C a 110 °C
Umidità:	da 0 % a 100 %

In questo caso il valore massimo impostabile per l'umidità dipende dalla temperatura presente nella sauna. Maggiore è la temperatura, minore sarà il valore massimo impostabile per l'umidità.

* L'uscita supplementare non ha il fusibile termico di protezione. Per questo motivo all'uscita supplementare devono essere collegati soltanto i dispositivi a sicurezza intrinseca.

Sicurezza termica

Sensore della stufa con fusibile termico di protezione (temperatura di spegnimento 139 °C)

Possibilità di impostare il limite del tempo di riscaldamento automatico (6 h, 12 h, 18 h, 24 h)*

Funzionamento a scelta a uno o due sensori

Cavi di alimentazione

Cavo di alimentazione:	min 5x2,5 mm ²
Cavo di alimentazione stufa (termostabile fino a 150 °C):	min 2,5 mm ²
Cavi dei sensori (termostabili fino a 150 °C):	min 0,5 mm ²
Cavo della luce:	min 1,5 mm ²
Cavo del ventilatore:	min 1,5 mm ²

Let's sauna.



@ harviaglobal

GLOBAL

Harvia Finland
Teollisuustie 1-7
40951 Muurame
FINLAND
T +358 207 464 000
harvia@harvia.com

CENTRAL EUROPE

Harvia Austria GmbH
Wartenburger Straße 31
4840 Vöcklabruck
AUSTRIA
T +43 (0) 7672 22 900-50
info@harvia.com